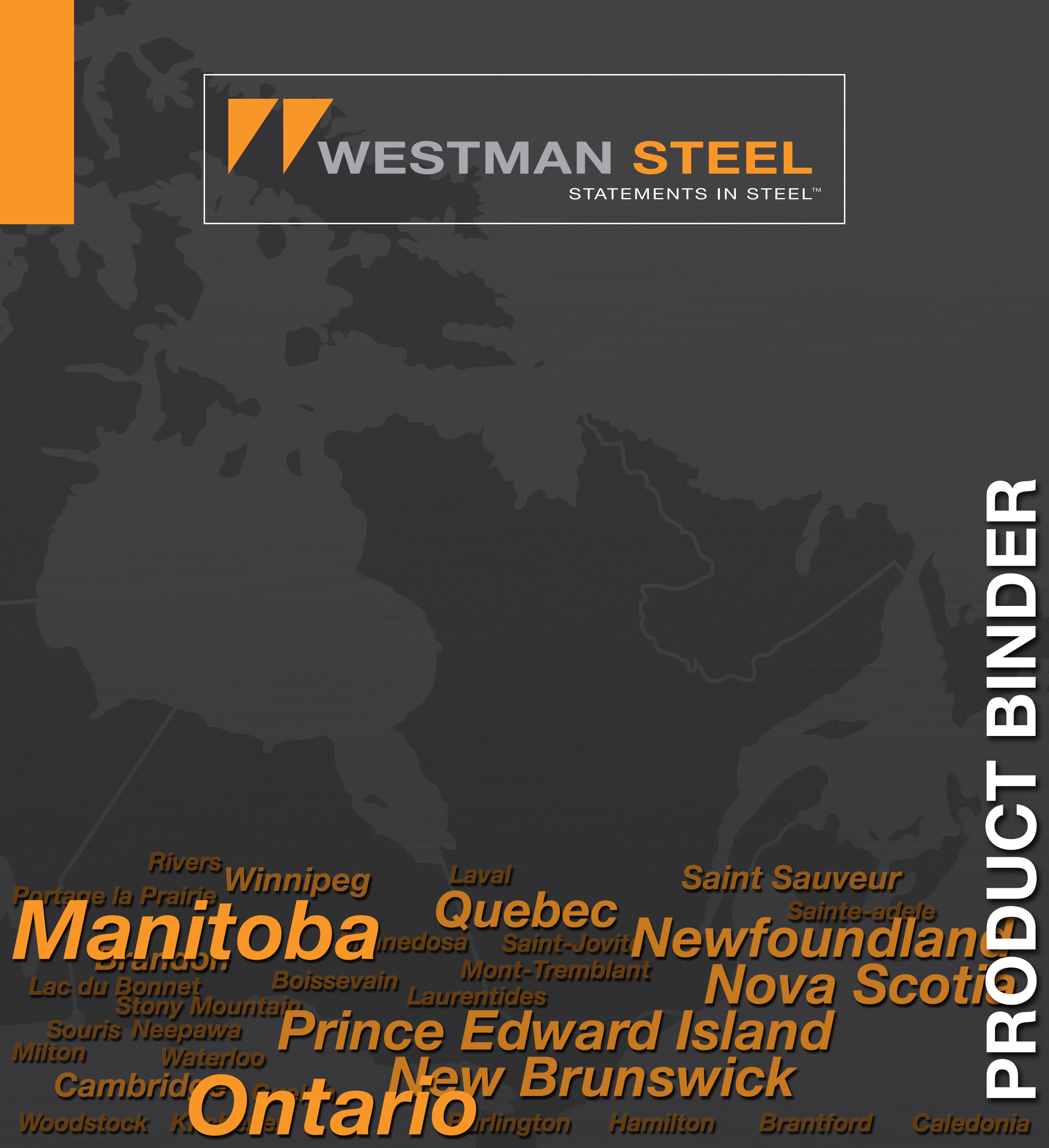




WESTMAN STEEL

STATEMENTS IN STEEL™



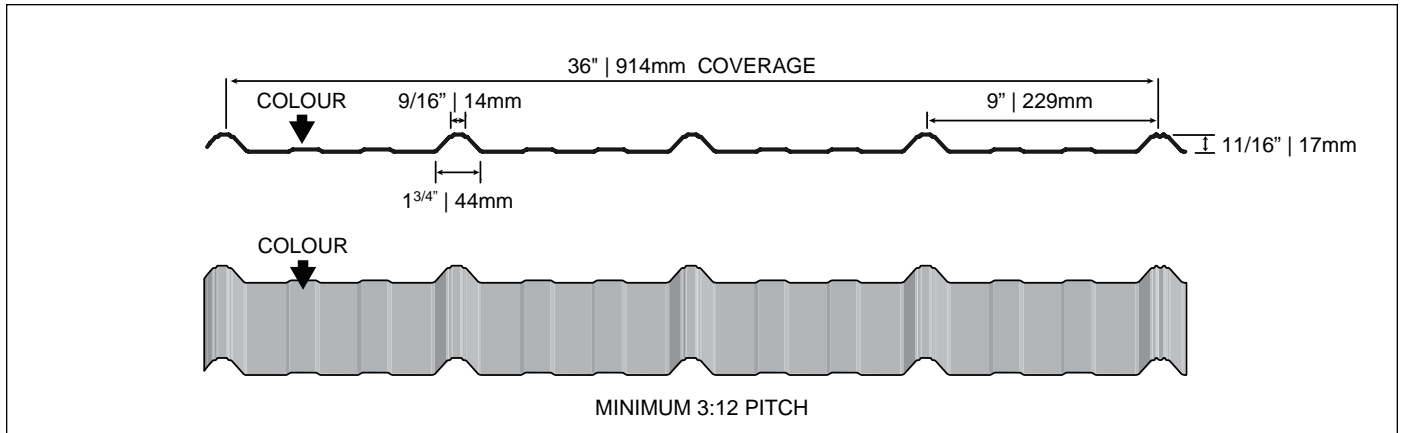
PRODUCT BINDER

Rivers
Portage la Prairie
Winnipeg
Laval
Saint Sauveur
Quebec
Sainte-adele
Newfoundland
Nova Scotia
Prince Edward Island
New Brunswick
Ontario
Woodstock
Kitchener
Eurlington
Hamilton
Brantford
Caledonia

Steel Profiles



Market Segments – Agricultural | Residential | Commercial



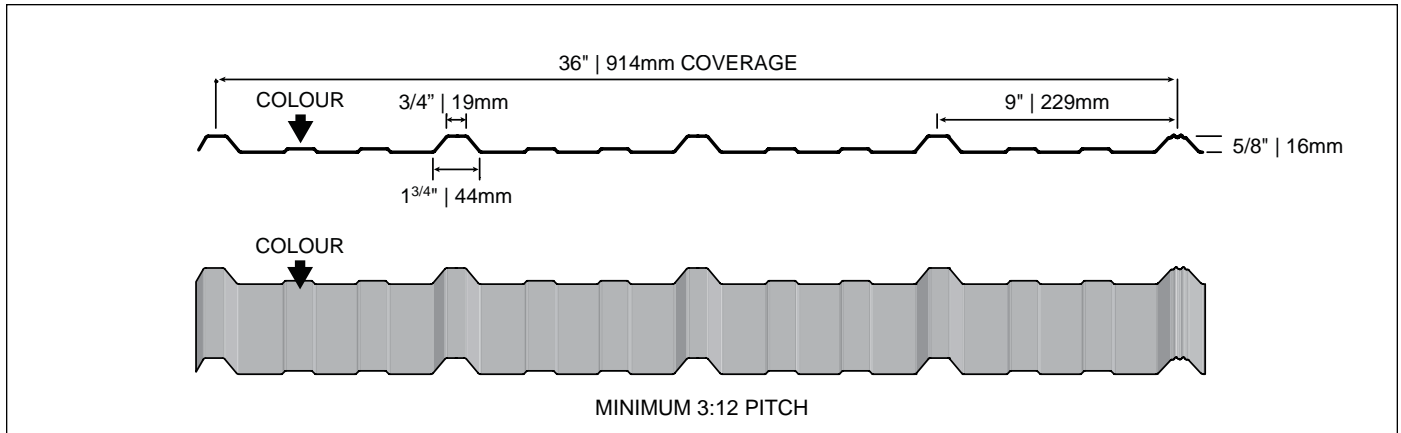
| Classic/Comm | Colour Code | Gauge(s) | | | Classic/Comm | Colour Code | Gauge(s) | | | Classic/Comm | Colour Code | Gauge(s) | | |
|-----------------|-------------|----------|----|--|------------------|-------------|----------|----|--|-------------------|-------------|----------|----|--|
| | | 29 | 26 | | | | 29 | 26 | | | | 29 | 26 | |
| Antique Linen | 8696 | | • | | Dark Red | 8250 | • | • | | Melcher's Green | 8307 | • | • | |
| Black | 8262 | • | • | | Deep Water Green | 8684 | • | | | Metro Brown | 8228 | • | | |
| Bone White | 8273 | • | • | | Desert Gold | 8404 | | | | Pacific Turquoise | 8258 | • | | |
| Bright Red | 8386 | • | | | Galvalume | 2 | • | • | | Regent Grey | 8730 | • | • | |
| Bright White | 8783 | • | • | | Galvanized | 1 | • | | | Royal Blue | 8790 | • | • | |
| Buckskin | 9202 | • | • | | Gold | 8276 | • | • | | Sapphire Blue | 8261 | • | | |
| Burgundy | 8873 | • | | | Heron Blue | 8330 | • | • | | Slate Blue | 8260 | • | • | |
| Bronze | 8406 | | | | Hickory Moss | 8368 | • | | | Stone Grey | 8305 | • | • | |
| Cambridge White | 8695 | | • | | Int'l Orange | 8234 | • | • | | Tan | 8315 | • | • | |
| Charcoal | 8306 | • | • | | Ivory | 8802 | • | | | Tile Red | 8269 | • | | |
| Coffee | 8326 | • | • | | Light Stone | 8367 | • | • | | Whistler Green | 8093 | • | | |
| Dark Brown | 8229 | | • | | Medium Green | 8329 | • | • | | White White | 8317 | • | • | |

| Textured | Colour Code | Gauge(s) | | | Textured | Colour Code | Gauge(s) | | | Exotic | Colour Code | Gauge(s) | | |
|-----------------|-------------|----------|----|--|-------------|-------------|----------|----|--|--------------|-------------|----------|----|--|
| | | 29 | 26 | | | | 29 | 26 | | | | 29 | 26 | |
| Chocolate Brown | 6034 | | • | | Jet Black | 6039 | | • | | Copper Penny | 8029 | • | • | |
| Chrome Green | 6037 | | • | | Oxide Red | 6042 | | • | | Dark Zinc | 1430 | | • | |
| Graphite Grey | 6035 | | • | | Sepia Brown | 6041 | | • | | Rustic Red | 1426 | | • | |
| | | | | | | | | | | Silver Mist | 8047 | | • | |

| Product Description | Grade(s) | lbs./Lin. Ft. | Additional Information |
|---------------------------|----------|---------------|--|
| 29 Gauge Plain Galvanized | 80 | 2.03 | <p>PLEASE CALL FOR PRICING Please contact your nearest location for availability and minimum/maximum lengths. Extended lead time may be required.</p> |
| 29 Gauge Plain Galvalume | 80 | 2.03 | |
| 29 Gauge Coloured | 80 | 2.03 | |
| 26 Gauge Plain Galvalume | 50/80 | 3.12 | |
| 26 Gauge Coloured | 50/80 | 3.12 | |

Check your local Westman branch for colour availability • Prices subject to change without notice. • "Special" crating charges where applicable. Charges apply for Short Sheet production less than 36" • Fabrication charges where applicable.

Market Segments – Agricultural | Residential



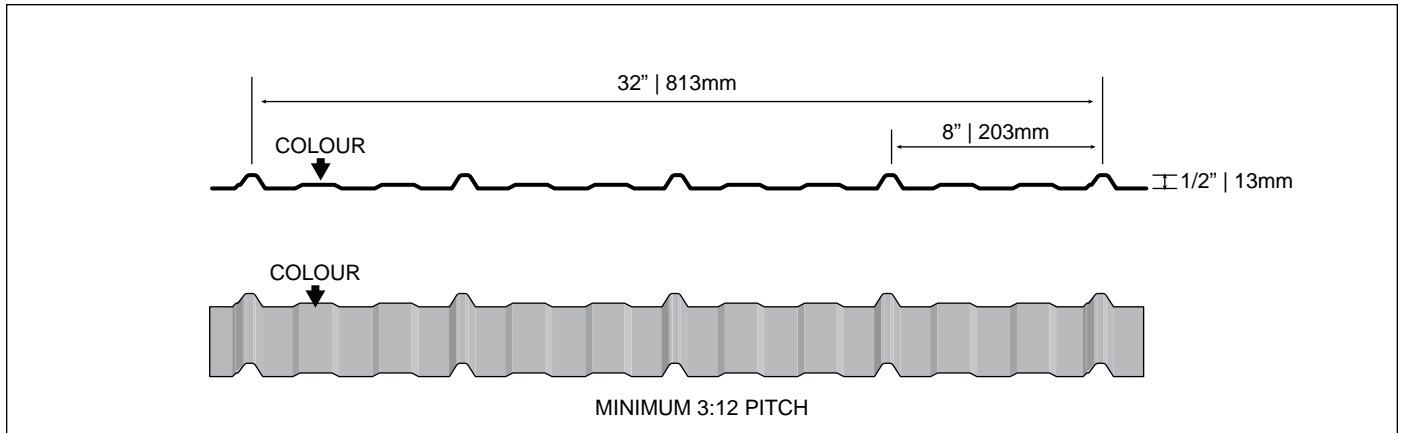
| Classic/Comm | Colour Code | Gauge(s) | | | Classic/Comm | Colour Code | Gauge(s) | | | Classic/Comm | Colour Code | Gauge(s) | | |
|-----------------|-------------|----------|----|--|------------------|-------------|----------|----|--|-------------------|-------------|----------|----|--|
| | | 29 | 26 | | | | 29 | 26 | | | | 29 | 26 | |
| Antique Linen | 8696 | | • | | Dark Red | 8250 | • | • | | Melcher's Green | 8307 | • | • | |
| Black | 8262 | • | • | | Deep Water Green | 8684 | • | | | Metro Brown | 8228 | • | | |
| Bone White | 8273 | • | • | | Desert Gold | 8404 | | | | Pacific Turquoise | 8258 | • | | |
| Bright Red | 8386 | • | | | Galvalume | 2 | • | • | | Regent Grey | 8730 | • | • | |
| Bright White | 8783 | • | • | | Galvanized | 1 | • | | | Royal Blue | 8790 | • | • | |
| Buckskin | 9202 | • | • | | Gold | 8276 | • | • | | Sapphire Blue | 8261 | • | | |
| Burgundy | 8873 | • | | | Heron Blue | 8330 | • | • | | Slate Blue | 8260 | • | • | |
| Bronze | 8406 | | | | Hickory Moss | 8368 | • | | | Stone Grey | 8305 | • | • | |
| Cambridge White | 8695 | | • | | Int'l Orange | 8234 | • | • | | Tan | 8315 | • | • | |
| Charcoal | 8306 | • | • | | Ivory | 8802 | • | | | Tile Red | 8269 | • | | |
| Coffee | 8326 | • | • | | Light Stone | 8367 | • | • | | Whistler Green | 8093 | • | | |
| Dark Brown | 8229 | | • | | Medium Green | 8329 | • | • | | White White | 8317 | • | • | |

| Textured | Colour Code | Gauge(s) | | | Textured | Colour Code | Gauge(s) | | | Exotic | Colour Code | Gauge(s) | | |
|-----------------|-------------|----------|----|--|-------------|-------------|----------|----|--|--------------|-------------|----------|----|--|
| | | 29 | 26 | | | | 29 | 26 | | | | 29 | 26 | |
| Chocolate Brown | 6034 | | • | | Jet Black | 6039 | | • | | Copper Penny | 8029 | • | • | |
| Chrome Green | 6037 | | • | | Oxide Red | 6042 | | • | | Dark Zinc | 1430 | | • | |
| Graphite Grey | 6035 | | • | | Sepia Brown | 6041 | | • | | Rustic Red | 1426 | | • | |
| | | | | | | | | | | Silver Mist | 8047 | | • | |

| Product Description | Grade(s) | lbs./Lin. Ft. | Additional Information |
|---------------------------|----------|---------------|--|
| 29 Gauge Plain Galvanized | 80 | 2.03 | <p>PLEASE CALL FOR PRICING Please contact your nearest location for availability and minimum/maximum lengths. Extended lead time may be required.</p> |
| 29 Gauge Plain Galvalume | 80 | 2.03 | |
| 29 Gauge Coloured | 80 | 2.03 | |
| 26 Gauge Plain Galvalume | 50/80 | 3.12 | |
| 26 Gauge Coloured | 50/80 | 3.12 | |

Check your local Westman branch for colour availability • Prices subject to change without notice. • "Special" crating charges where applicable. Charges apply for Short Sheet production less than 36" • Fabrication charges where applicable.

Market Segments – Agricultural | Residential

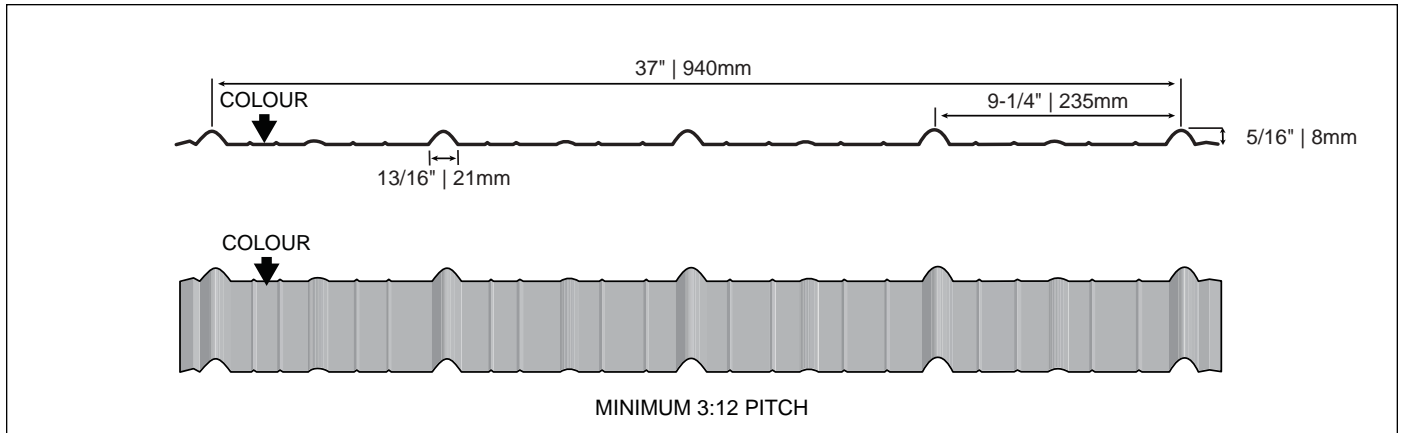


| Classic/Comm | Colour Code | Gauge(s) | | | Classic/Comm | Colour Code | Gauge(s) | | | Classic/Comm | Colour Code | Gauge(s) | | |
|-----------------|-------------|----------|----|--|------------------|-------------|----------|----|---|-------------------|-------------|----------|----|--|
| | | 29 | 26 | | | | 29 | 26 | | | | 29 | 26 | |
| Antique Linen | 8696 | | | | Dark Red | 8250 | • | | | Melcher's Green | 8307 | • | | |
| Black | 8262 | • | • | | Deep Water Green | 8684 | | | | Metro Brown | 8228 | | • | |
| Bone White | 8273 | • | | | Desert Gold | 8404 | | | | Pacific Turquoise | 8258 | | | |
| Bright Red | 8386 | | | | Galvalume | 2 | • | • | | Regent Grey | 8730 | • | | |
| Bright White | 8783 | • | | | Galvanized | 1 | • | • | | Royal Blue | 8790 | | | |
| Buckskin | 9202 | • | • | | Gold | 8276 | | | | Sapphire Blue | 8261 | | | |
| Burgundy | 8873 | | | | Heron Blue | 8330 | | | • | Slate Blue | 8260 | | | |
| Bronze | 8406 | | | | Hickory Moss | 8368 | • | | | Stone Grey | 8305 | | | |
| Cambridge White | 8695 | | | | Int'l Orange | 8234 | | | | Tan | 8315 | • | | |
| Charcoal | 8306 | • | • | | Ivory | 8802 | | | | Tile Red | 8269 | | • | |
| Coffee | 8326 | • | • | | Light Stone | 8367 | | | | Whistler Green | 8093 | • | • | |
| Dark Brown | 8229 | | • | | Medium Green | 8329 | | | | White White | 8317 | • | • | |

| Textured | Colour Code | Gauge(s) | | | Textured | Colour Code | Gauge(s) | | | Exotic | Colour Code | Gauge(s) | | |
|-----------------|-------------|----------|--|--|-------------|-------------|----------|--|--|--------------|-------------|----------|--|--|
| | | 29 | | | | | 29 | | | | | 29 | | |
| Chocolate Brown | 6034 | | | | Jet Black | 6039 | | | | Copper Penny | 8029 | | | |
| Chrome Green | 6037 | | | | Oxide Red | 6042 | | | | Dark Zinc | 1430 | | | |
| Graphite Grey | 6035 | | | | Sepia Brown | 6041 | | | | Rustic Red | 1426 | | | |
| | | | | | | | | | | Silver Mist | 8047 | | | |

| Product Description | Grade(s) | lbs./Lin. Ft. | Additional Information |
|---------------------------|----------|---------------|--|
| 29 Gauge Plain Galvanized | 50 | 1.82 | <p>PLEASE CALL FOR PRICING Please contact your nearest location for availability and minimum/maximum lengths. Extended lead time may be required.</p> |
| 29 Gauge Plain Galvalume | 50 | 1.82 | |
| 29 Gauge Coloured | 50 | 1.82 | |
| 26 Gauge Plain Galvanized | 33 | 2.34 | |
| 26 Gauge Plain Galvalume | 33 | 2.34 | |
| 26 Gauge Coloured | 33 | 2.34 | |

Check your local Westman branch for colour availability • Prices subject to change without notice. • "Special" crating charges where applicable. Charges apply for Short Sheet production less than 36" • Fabrication charges where applicable.

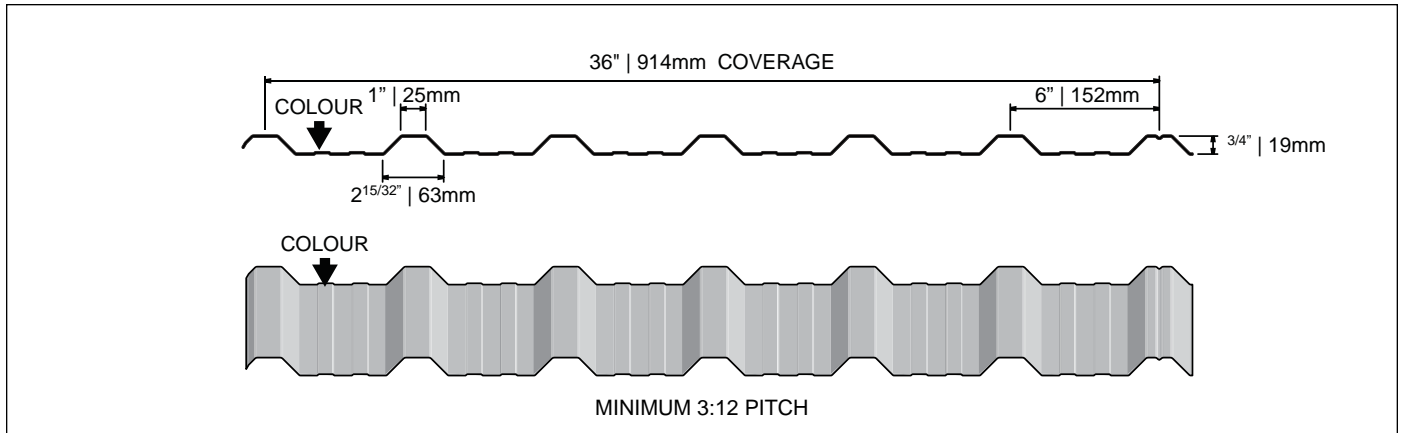
Market Segments – Agricultural | Residential


| Classic/Comm | Colour Code | Gauge(s) | | | Classic/Comm | Colour Code | Gauge(s) | | | Classic/Comm | Colour Code | Gauge(s) | | |
|-----------------|-------------|----------|----|--|------------------|-------------|----------|----|--|-------------------|-------------|----------|----|--|
| | | 29 | 26 | | | | 29 | 26 | | | | 29 | 26 | |
| Antique Linen | 8696 | | | | Dark Red | 8250 | • | | | Melcher's Green | 8307 | • | | |
| Black | 8262 | • | | | Deep Water Green | 8684 | • | | | Metro Brown | 8228 | • | | |
| Bone White | 8273 | • | | | Desert Gold | 8404 | | | | Pacific Turquoise | 8258 | • | | |
| Bright Red | 8386 | • | | | Galvalume | 2 | • | | | Regent Grey | 8730 | • | | |
| Bright White | 8783 | • | | | Galvanized | 1 | • | | | Royal Blue | 8790 | • | | |
| Buckskin | 9202 | • | | | Gold | 8276 | • | | | Sapphire Blue | 8261 | • | | |
| Burgundy | 8873 | • | | | Heron Blue | 8330 | • | | | Slate Blue | 8260 | • | | |
| Bronze | 8406 | | | | Hickory Moss | 8368 | • | | | Stone Grey | 8305 | • | | |
| Cambridge White | 8695 | | | | Int'l Orange | 8234 | • | | | Tan | 8315 | • | | |
| Charcoal | 8306 | • | | | Ivory | 8802 | • | | | Tile Red | 8269 | • | | |
| Coffee | 8326 | • | | | Light Stone | 8367 | • | | | Whistler Green | 8093 | • | | |
| Dark Brown | 8229 | | | | Medium Green | 8329 | • | | | White White | 8317 | • | | |

| Textured | Colour Code | Gauge(s) | | | Textured | Colour Code | Gauge(s) | | | Exotic | Colour Code | Gauge(s) | | |
|-----------------|-------------|----------|----|--|-------------|-------------|----------|----|--|--------------|-------------|----------|----|--|
| | | 29 | 26 | | | | 29 | 26 | | | | 29 | 26 | |
| Chocolate Brown | 6034 | | | | Jet Black | 6039 | | | | Copper Penny | 8029 | • | | |
| Chrome Green | 6037 | | | | Oxide Red | 6042 | | | | Dark Zinc | 1430 | | | |
| Graphite Grey | 6035 | | | | Sepia Brown | 6041 | | | | Rustic Red | 1426 | | | |
| | | | | | | | | | | Silver Mist | 8047 | | | |

| Product Description | Grade(s) | lbs./Lin. Ft. | Additional Information |
|---------------------------|----------|---------------|---|
| 29 Gauge Plain Galvanized | 80 | 2.03 | PLEASE CALL FOR PRICING Please contact your nearest location for availability and minimum/maximum lengths. Extended lead time may be required. |
| 29 Gauge Plain Galvalume | 80 | 2.03 | |
| 29 Gauge Coloured | 80 | 2.03 | |

Check your local Westman branch for colour availability • Prices subject to change without notice. • "Special" crating charges where applicable. Charges apply for Short Sheet production less than 36" • Fabrication charges where applicable.

Market Segments – Agricultural | Residential | Commercial


| Classic/Comm | Colour Code | Gauge(s) | | |
|-----------------|-------------|----------|----|--|
| | | 26 | 24 | |
| Antique Linen | 8696 | • | • | |
| Black | 8262 | • | | |
| Bone White | 8273 | • | • | |
| Bright Red | 8386 | | | |
| Bright White | 8783 | • | • | |
| Buckskin | 9202 | • | • | |
| Burgundy | 8873 | | | |
| Bronze | 8406 | | • | |
| Cambridge White | 8695 | • | | |
| Charcoal | 8306 | • | • | |
| Coffee | 8326 | • | • | |
| Dark Brown | 8229 | | | |

| Classic/Comm | Colour Code | Gauge(s) | | |
|------------------|-------------|----------|----|--|
| | | 26 | 24 | |
| Dark Red | 8250 | • | | |
| Deep Water Green | 8684 | | | |
| Desert Gold | 8404 | • | • | |
| Galvalume | 2 | • | • | |
| Galvanized | 1 | | | |
| Gold | 8276 | • | • | |
| Heron Blue | 8330 | • | • | |
| Hickory Moss | 8368 | | | |
| Int'l Orange | 8234 | • | | |
| Ivory | 8802 | | | |
| Light Stone | 8367 | • | | |
| Medium Green | 8329 | • | | |

| Classic/Comm | Colour Code | Gauge(s) | | |
|-------------------|-------------|----------|----|--|
| | | 26 | 24 | |
| Melcher's Green | 8307 | • | • | |
| Metro Brown | 8228 | | • | |
| Pacific Turquoise | 8258 | | | |
| Regent Grey | 8730 | • | • | |
| Royal Blue | 8790 | • | | |
| Sapphire Blue | 8261 | | | |
| Slate Blue | 8260 | • | • | |
| Stone Grey | 8305 | • | • | |
| Tan | 8315 | • | • | |
| Tile Red | 8269 | | | |
| Whistler Green | 8093 | | | |
| White White | 8317 | • | • | |

| Textured | Colour Code | Gauge(s) | | |
|-----------------|-------------|----------|----|--|
| | | 26 | 24 | |
| Chocolate Brown | 6034 | • | | |
| Chrome Green | 6037 | • | | |
| Graphite Grey | 6035 | • | | |

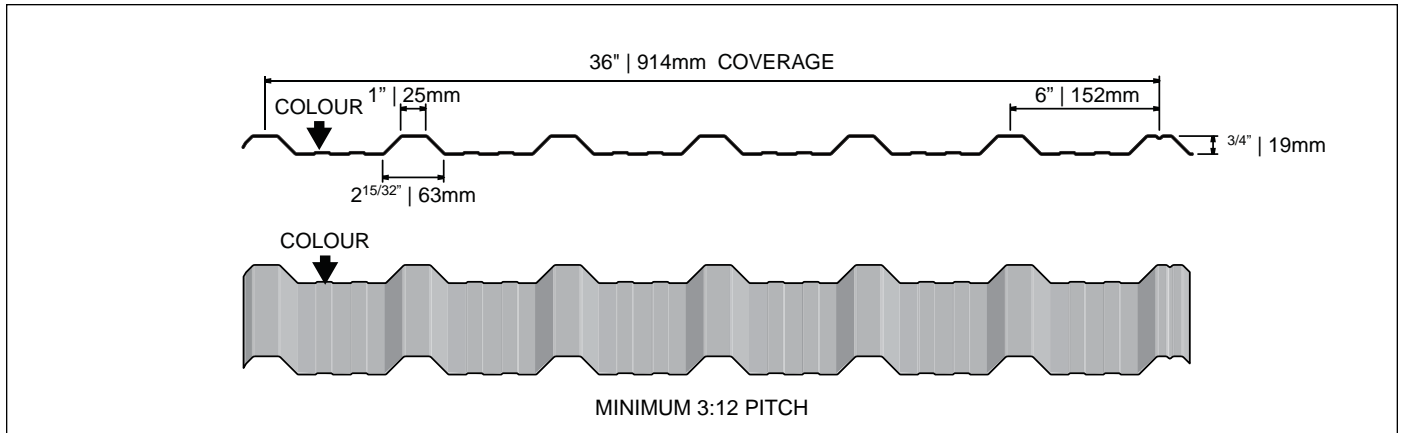
| Textured | Colour Code | Gauge(s) | | |
|-------------|-------------|----------|----|--|
| | | 26 | 24 | |
| Jet Black | 6039 | • | | |
| Oxide Red | 6042 | • | | |
| Sepia Brown | 6041 | • | | |

| Exotic | Colour Code | Gauge(s) | | |
|--------------|-------------|----------|----|--|
| | | 26 | 24 | |
| Copper Penny | 8029 | • | • | |
| Dark Zinc | 1430 | • | | |
| Rustic Red | 1426 | • | | |
| Silver Mist | 8047 | • | | |

| Product Description | Grade(s) | lbs./Lin. Ft. | Additional Information |
|--------------------------|----------|---------------|---|
| 26 Gauge Plain Galvalume | 50/80 | 2.82 | PLEASE CALL FOR PRICING Please contact your nearest location for availability and minimum/maximum lengths. Extended lead time may be required. |
| 26 Gauge Coloured | 50/80 | 2.82 | |
| 24 Gauge Plain Galvalume | 33 | 3.60 | |
| 24 Gauge Coloured | 33 | 3.60 | |

Check your local Westman branch for colour availability • Prices subject to change without notice. • "Special" crating charges where applicable. Charges apply for Short Sheet production less than 36" • Fabrication charges where applicable.

Market Segments – Agricultural | Residential | Commercial



| Classic/Comm | Colour Code | Gauge(s) | | |
|-----------------|-------------|----------|----|--|
| | | 29 | 26 | |
| Antique Linen | 8696 | | | |
| Black | 8262 | • | | |
| Bone White | 8273 | • | | |
| Bright Red | 8386 | • | | |
| Bright White | 8783 | • | | |
| Buckskin | 9202 | • | | |
| Burgundy | 8873 | • | | |
| Bronze | 8406 | | | |
| Cambridge White | 8695 | | | |
| Charcoal | 8306 | • | | |
| Coffee | 8326 | • | | |
| Dark Brown | 8229 | | | |

| Classic/Comm | Colour Code | Gauge(s) | | |
|------------------|-------------|----------|----|--|
| | | 29 | 26 | |
| Dark Red | 8250 | • | | |
| Deep Water Green | 8684 | • | | |
| Desert Gold | 8404 | | | |
| Galvalume | 2 | • | | |
| Galvanized | 1 | • | | |
| Gold | 8276 | • | | |
| Heron Blue | 8330 | • | | |
| Hickory Moss | 8368 | • | | |
| Int'l Orange | 8234 | • | | |
| Ivory | 8802 | • | | |
| Light Stone | 8367 | • | | |
| Medium Green | 8329 | • | | |

| Classic/Comm | Colour Code | Gauge(s) | | |
|-------------------|-------------|----------|----|--|
| | | 29 | 26 | |
| Melcher's Green | 8307 | • | | |
| Metro Brown | 8228 | • | | |
| Pacific Turquoise | 8258 | • | | |
| Regent Grey | 8730 | • | | |
| Royal Blue | 8790 | • | | |
| Sapphire Blue | 8261 | • | | |
| Slate Blue | 8260 | • | | |
| Stone Grey | 8305 | • | | |
| Tan | 8315 | • | | |
| Tile Red | 8269 | • | | |
| Whistler Green | 8093 | • | | |
| White White | 8317 | • | | |

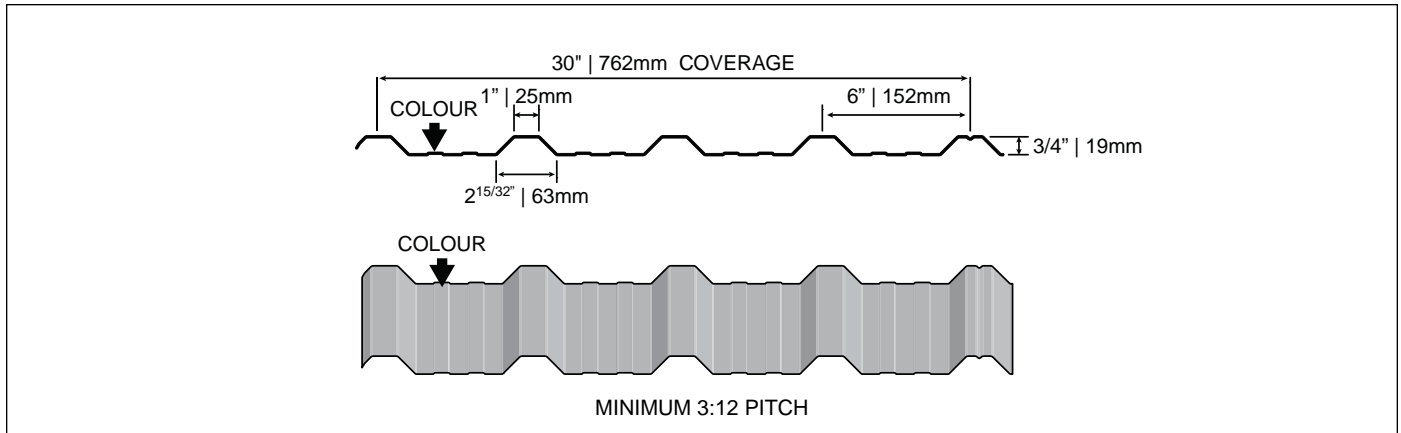
| Textured | Colour Code | Gauge(s) | | |
|-----------------|-------------|----------|----|--|
| | | 29 | 26 | |
| Chocolate Brown | 6034 | | | |
| Chrome Green | 6037 | | | |
| Graphite Grey | 6035 | | | |

| Textured | Colour Code | Gauge(s) | | |
|-------------|-------------|----------|----|--|
| | | 29 | 26 | |
| Jet Black | 6039 | | | |
| Oxide Red | 6042 | | | |
| Sepia Brown | 6041 | | | |

| Exotic | Colour Code | Gauge(s) | | |
|--------------|-------------|----------|----|--|
| | | 29 | 26 | |
| Copper Penny | 8029 | • | | |
| Dark Zinc | 1430 | | | |
| Rustic Red | 1426 | | | |
| Silver Mist | 8047 | | | |

| Product Description | Grade(s) | lbs./Lin. Ft. | Additional Information |
|---------------------------|----------|---------------|--|
| 29 Gauge Plain Galvanized | 80 | 2.03 | <p>PLEASE CALL FOR PRICING Please contact your nearest location for availability and minimum/maximum lengths. Extended lead time may be required.</p> |
| 29 Gauge Plain Galvalume | 80 | 2.03 | |
| 29 Gauge Coloured | 80 | 2.03 | |

Check your local Westman branch for colour availability • Prices subject to change without notice. • "Special" crating charges where applicable. Charges apply for Short Sheet production less than 36" • Fabrication charges where applicable.

Market Segments – Agricultural | Residential | Commercial


| Classic/Comm | Colour Code | Gauge(s) | | |
|-----------------|-------------|----------|----|--|
| | | 29 | 26 | |
| Antique Linen | 8696 | | | |
| Black | 8262 | • | • | |
| Bone White | 8273 | • | | |
| Bright Red | 8386 | | | |
| Bright White | 8783 | • | | |
| Buckskin | 9202 | • | • | |
| Burgundy | 8873 | | | |
| Bronze | 8406 | | | |
| Cambridge White | 8695 | | | |
| Charcoal | 8306 | • | • | |
| Coffee | 8326 | • | • | |
| Dark Brown | 8229 | | • | |

| Classic/Comm | Colour Code | Gauge(s) | | |
|------------------|-------------|----------|----|--|
| | | 29 | 26 | |
| Dark Red | 8250 | • | | |
| Deep Water Green | 8684 | | | |
| Desert Gold | 8404 | | | |
| Galvalume | 2 | • | • | |
| Galvanized | 1 | • | • | |
| Gold | 8276 | | | |
| Heron Blue | 8330 | | • | |
| Hickory Moss | 8368 | • | | |
| Int'l Orange | 8234 | | | |
| Ivory | 8802 | | | |
| Light Stone | 8367 | | | |
| Medium Green | 8329 | | | |

| Classic/Comm | Colour Code | Gauge(s) | | |
|-------------------|-------------|----------|----|--|
| | | 29 | 26 | |
| Melcher's Green | 8307 | • | | |
| Metro Brown | 8228 | | • | |
| Pacific Turquoise | 8258 | | | |
| Regent Grey | 8730 | • | | |
| Royal Blue | 8790 | | | |
| Sapphire Blue | 8261 | | | |
| Slate Blue | 8260 | | | |
| Stone Grey | 8305 | | | |
| Tan | 8315 | • | | |
| Tile Red | 8269 | | • | |
| Whistler Green | 8093 | • | • | |
| White White | 8317 | • | • | |

| Textured | Colour Code | Gauge(s) | | |
|-----------------|-------------|----------|----|--|
| | | 29 | 26 | |
| Chocolate Brown | 6034 | | | |
| Chrome Green | 6037 | | | |
| Graphite Grey | 6035 | | | |

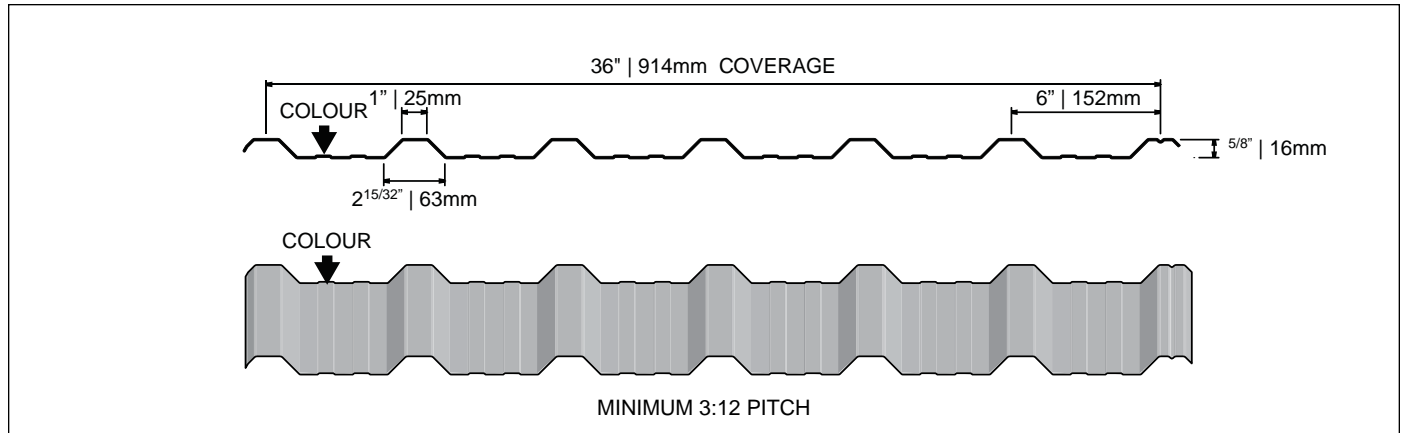
| Textured | Colour Code | Gauge(s) | | |
|-------------|-------------|----------|----|--|
| | | 29 | 26 | |
| Jet Black | 6039 | | | |
| Oxide Red | 6042 | | | |
| Sepia Brown | 6041 | | | |

| Exotic | Colour Code | Gauge(s) | | |
|--------------|-------------|----------|----|--|
| | | 29 | 26 | |
| Copper Penny | 8029 | | | |
| Dark Zinc | 1430 | | | |
| Rustic Red | 1426 | | | |
| Silver Mist | 8047 | | | |

| Product Description | Grade(s) | lbs./Lin. Ft. | Additional Information |
|---------------------------|----------|---------------|--|
| 29 Gauge Plain Galvanized | 50 | 1.82 | <p style="text-align: center;">PLEASE CALL FOR PRICING</p> <p style="text-align: center;">Please contact your nearest location for availability and minimum/maximum lengths.</p> <p style="text-align: center;">Extended lead time may be required.</p> |
| 29 Gauge Plain Galvalume | 50 | 1.82 | |
| 29 Gauge Coloured | 50 | 1.82 | |
| 26 Gauge Plain Galvanized | 33 | 2.34 | |
| 26 Gauge Plain Galvalume | 33 | 2.34 | |
| 26 Gauge Coloured | 33 | 2.34 | |

Check your local Westman branch for colour availability • Prices subject to change without notice. • "Special" crating charges where applicable. Charges apply for Short Sheet production less than 36" • Fabrication charges where applicable.

Market Segments – Agricultural | Residential | Commercial



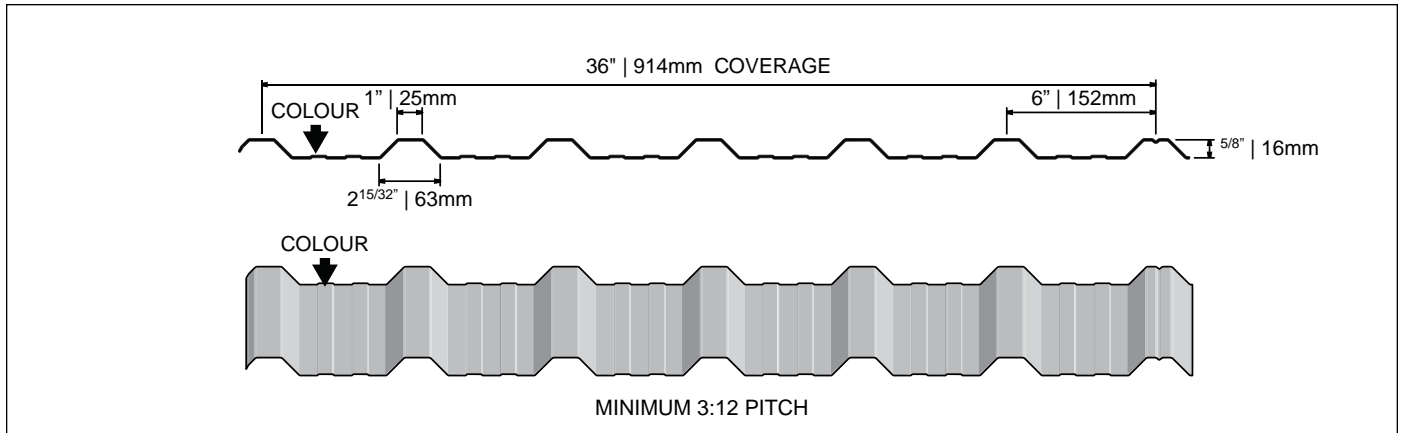
| Classic/Comm | Colour Code | Gauge(s) | | | Classic/Comm | Colour Code | Gauge(s) | | | Classic/Comm | Colour Code | Gauge(s) | | |
|-----------------|-------------|----------|----|--|------------------|-------------|----------|----|--|-------------------|-------------|----------|----|--|
| | | 29 | 26 | | | | 29 | 26 | | | | 29 | 26 | |
| Antique Linen | 8696 | | | | Dark Red | 8250 | • | | | Melcher's Green | 8307 | • | | |
| Black | 8262 | • | | | Deep Water Green | 8684 | • | | | Metro Brown | 8228 | • | | |
| Bone White | 8273 | • | | | Desert Gold | 8404 | | | | Pacific Turquoise | 8258 | • | | |
| Bright Red | 8386 | • | | | Galvalume | 2 | • | | | Regent Grey | 8730 | • | | |
| Bright White | 8783 | • | | | Galvanized | 1 | • | | | Royal Blue | 8790 | • | | |
| Buckskin | 9202 | • | | | Gold | 8276 | • | | | Sapphire Blue | 8261 | • | | |
| Burgundy | 8873 | • | | | Heron Blue | 8330 | • | | | Slate Blue | 8260 | • | | |
| Bronze | 8406 | | | | Hickory Moss | 8368 | • | | | Stone Grey | 8305 | • | | |
| Cambridge White | 8695 | | | | Int'l Orange | 8234 | • | | | Tan | 8315 | • | | |
| Charcoal | 8306 | • | | | Ivory | 8802 | • | | | Tile Red | 8269 | • | | |
| Coffee | 8326 | • | | | Light Stone | 8367 | • | | | Whistler Green | 8093 | • | | |
| Dark Brown | 8229 | | | | Medium Green | 8329 | • | | | White White | 8317 | • | | |

| Textured | Colour Code | Gauge(s) | | | Textured | Colour Code | Gauge(s) | | | Exotic | Colour Code | Gauge(s) | | |
|-----------------|-------------|----------|----|--|-------------|-------------|----------|----|--|--------------|-------------|----------|----|--|
| | | 29 | 26 | | | | 29 | 26 | | | | 29 | 26 | |
| Chocolate Brown | 6034 | | | | Jet Black | 6039 | | | | Copper Penny | 8029 | • | | |
| Chrome Green | 6037 | | | | Oxide Red | 6042 | | | | Dark Zinc | 1430 | | | |
| Graphite Grey | 6035 | | | | Sepia Brown | 6041 | | | | Rustic Red | 1426 | | | |
| | | | | | | | | | | Silver Mist | 8047 | | | |

| Product Description | Grade(s) | lbs./Lin. Ft. | Additional Information |
|---------------------------|----------|---------------|--|
| 29 Gauge Plain Galvanized | 80 | 2.03 | <p>PLEASE CALL FOR PRICING Please contact your nearest location for availability and minimum/maximum lengths. Extended lead time may be required.</p> |
| 29 Gauge Plain Galvalume | 80 | 2.03 | |
| 29 Gauge Coloured | 80 | 2.03 | |

Check your local Westman branch for colour availability • Prices subject to change without notice. • "Special" crating charges where applicable. Charges apply for Short Sheet production less than 36" • Fabrication charges where applicable.

Market Segments – Agricultural | Residential | Commercial



| Classic/Comm | Colour Code | Gauge(s) | | |
|-----------------|-------------|----------|----|--|
| | | 26 | 24 | |
| Antique Linen | 8696 | • | • | |
| Black | 8262 | • | | |
| Bone White | 8273 | • | • | |
| Bright Red | 8386 | | | |
| Bright White | 8783 | • | • | |
| Buckskin | 9202 | • | • | |
| Burgundy | 8873 | | | |
| Bronze | 8406 | | • | |
| Cambridge White | 8695 | • | | |
| Charcoal | 8306 | • | • | |
| Coffee | 8326 | • | • | |
| Dark Brown | 8229 | | | |

| Classic/Comm | Colour Code | Gauge(s) | | |
|------------------|-------------|----------|----|--|
| | | 26 | 24 | |
| Dark Red | 8250 | • | | |
| Deep Water Green | 8684 | | | |
| Desert Gold | 8404 | • | • | |
| Galvalume | 2 | • | • | |
| Galvanized | 1 | | | |
| Gold | 8276 | • | • | |
| Heron Blue | 8330 | • | • | |
| Hickory Moss | 8368 | | | |
| Int'l Orange | 8234 | • | | |
| Ivory | 8802 | | | |
| Light Stone | 8367 | • | | |
| Medium Green | 8329 | • | | |

| Classic/Comm | Colour Code | Gauge(s) | | |
|-------------------|-------------|----------|----|--|
| | | 26 | 24 | |
| Melcher's Green | 8307 | • | • | |
| Metro Brown | 8228 | | • | |
| Pacific Turquoise | 8258 | | | |
| Regent Grey | 8730 | • | • | |
| Royal Blue | 8790 | • | | |
| Sapphire Blue | 8261 | | | |
| Slate Blue | 8260 | • | • | |
| Stone Grey | 8305 | • | • | |
| Tan | 8315 | • | • | |
| Tile Red | 8269 | | | |
| Whistler Green | 8093 | | | |
| White White | 8317 | • | • | |

| Textured | Colour Code | Gauge(s) | | |
|-----------------|-------------|----------|----|--|
| | | 26 | 24 | |
| Chocolate Brown | 6034 | • | | |
| Chrome Green | 6037 | • | | |
| Graphite Grey | 6035 | • | | |

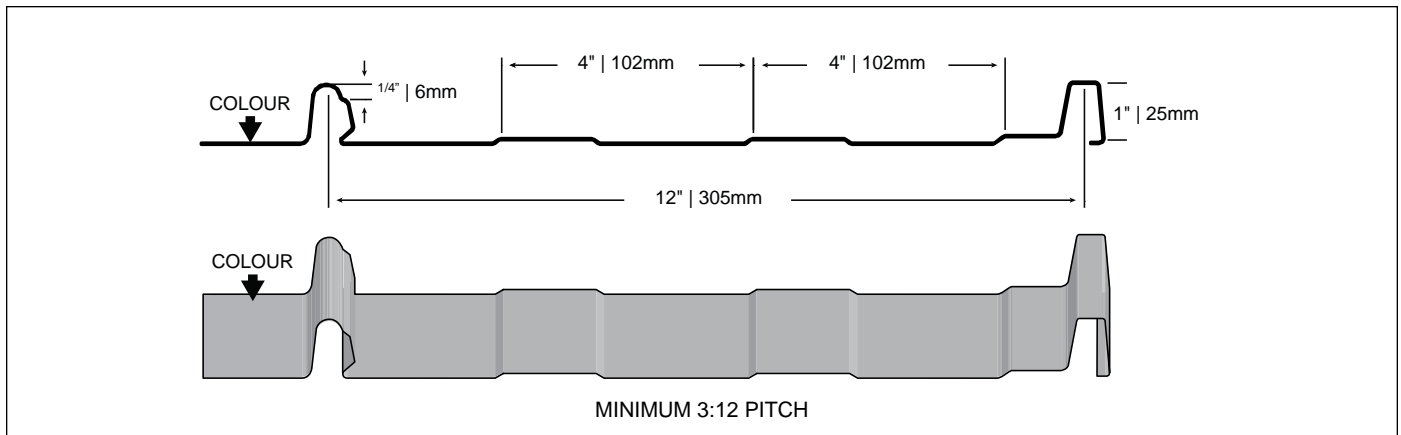
| Textured | Colour Code | Gauge(s) | | |
|-------------|-------------|----------|----|--|
| | | 26 | 24 | |
| Jet Black | 6039 | • | | |
| Oxide Red | 6042 | • | | |
| Sepia Brown | 6041 | • | | |

| Exotic | Colour Code | Gauge(s) | | |
|--------------|-------------|----------|----|--|
| | | 26 | 24 | |
| Copper Penny | 8029 | • | • | |
| Dark Zinc | 1430 | • | | |
| Rustic Red | 1426 | • | | |
| Silver Mist | 8047 | • | | |

| Product Description | Grade(s) | lbs./Lin. Ft. | Additional Information |
|--------------------------|----------|---------------|--|
| 26 Gauge Plain Galvalume | 50/80 | 2.82 | <p>PLEASE CALL FOR PRICING Please contact your nearest location for availability and minimum/maximum lengths. Extended lead time may be required.</p> |
| 26 Gauge Coloured | 50/80 | 2.82 | |
| 24 Gauge Plain Galvalume | 33 | 3.60 | |
| 24 Gauge Coloured | 33 | 3.60 | |

Check your local Westman branch for colour availability • Prices subject to change without notice. • "Special" crating charges where applicable. Charges apply for Short Sheet production less than 36" • Fabrication charges where applicable.

Market Segments – Residential | Commercial



| Classic/Comm | Colour Code | Gauge(s) | | |
|-----------------|-------------|----------|----|--|
| | | 26 | 24 | |
| Antique Linen | 8696 | • | • | |
| Black | 8262 | • | | |
| Bone White | 8273 | • | • | |
| Bright Red | 8386 | • | | |
| Bright White | 8783 | • | • | |
| Buckskin | 9202 | • | • | |
| Burgundy | 8873 | | | |
| Bronze | 8406 | | | |
| Cambridge White | 8695 | • | | |
| Charcoal | 8306 | • | • | |
| Coffee | 8326 | • | • | |
| Dark Brown | 8229 | • | • | |

| Classic/Comm | Colour Code | Gauge(s) | | |
|------------------|-------------|----------|----|--|
| | | 26 | 24 | |
| Dark Red | 8250 | • | | |
| Deep Water Green | 8684 | | | |
| Desert Gold | 8404 | | | |
| Galvalume | 2 | • | • | |
| Galvanized | 1 | • | | |
| Gold | 8276 | • | • | |
| Heron Blue | 8330 | • | • | |
| Hickory Moss | 8368 | | | |
| Int'l Orange | 8234 | | | |
| Ivory | 8802 | | | |
| Light Stone | 8367 | • | | |
| Medium Green | 8329 | | | |

| Classic/Comm | Colour Code | Gauge(s) | | |
|-------------------|-------------|----------|----|--|
| | | 26 | 24 | |
| Melcher's Green | 8307 | • | • | |
| Metro Brown | 8228 | • | • | |
| Pacific Turquoise | 8258 | | | |
| Regent Grey | 8730 | • | • | |
| Royal Blue | 8790 | • | | |
| Sapphire Blue | 8261 | | | |
| Slate Blue | 8260 | • | • | |
| Stone Grey | 8305 | • | • | |
| Tan | 8315 | • | | |
| Tile Red | 8269 | • | | |
| Whistler Green | 8093 | • | | |
| White White | 8317 | • | • | |

| Textured | Colour Code | Gauge(s) | | |
|-----------------|-------------|----------|----|--|
| | | 26 | 24 | |
| Chocolate Brown | 6034 | • | | |
| Chrome Green | 6037 | • | | |
| Graphite Grey | 6035 | • | | |

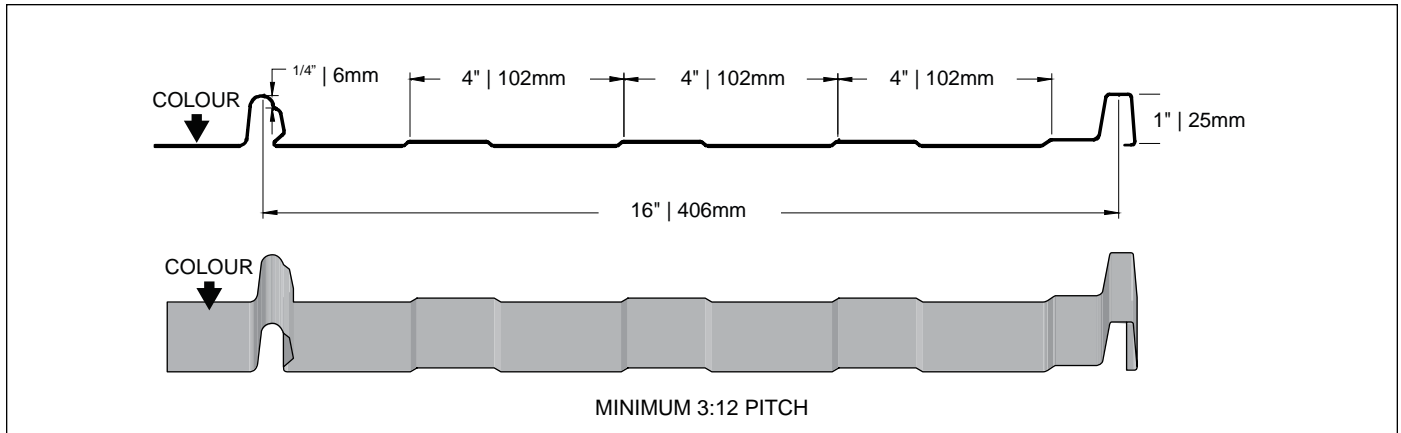
| Textured | Colour Code | Gauge(s) | | |
|-------------|-------------|----------|----|--|
| | | 26 | 24 | |
| Jet Black | 6039 | • | | |
| Oxide Red | 6042 | • | | |
| Sepia Brown | 6041 | • | | |

| Exotic | Colour Code | Gauge(s) | | |
|--------------|-------------|----------|----|--|
| | | 26 | 24 | |
| Copper Penny | 8029 | • | • | |
| Dark Zinc | 1430 | • | | |
| Rustic Red | 1426 | • | | |
| Silver Mist | 8047 | • | | |

| Product Description | Grade(s) | lbs./Lin. Ft. | Additional Information |
|---------------------------|----------|---------------|--|
| 26 Gauge Plain Galvanized | 33/50 | 1.23 | <p>PLEASE CALL FOR PRICING Please contact your nearest location for availability and minimum/maximum lengths. Extended lead time may be required.</p> |
| 26 Gauge Plain Galvalume | 33/50 | 1.23 | |
| 26 Gauge Coloured | 33/50 | 1.23 | |
| 24 Gauge Plain Galvalume | 33 | 1.50 | |
| 24 Gauge Coloured | 33 | 1.50 | |

Check your local Westman branch for colour availability • Prices subject to change without notice. • "Special" crating charges where applicable. Charges apply for Short Sheet production less than 36" • Fabrication charges where applicable.

Market Segments – Residential | Commercial



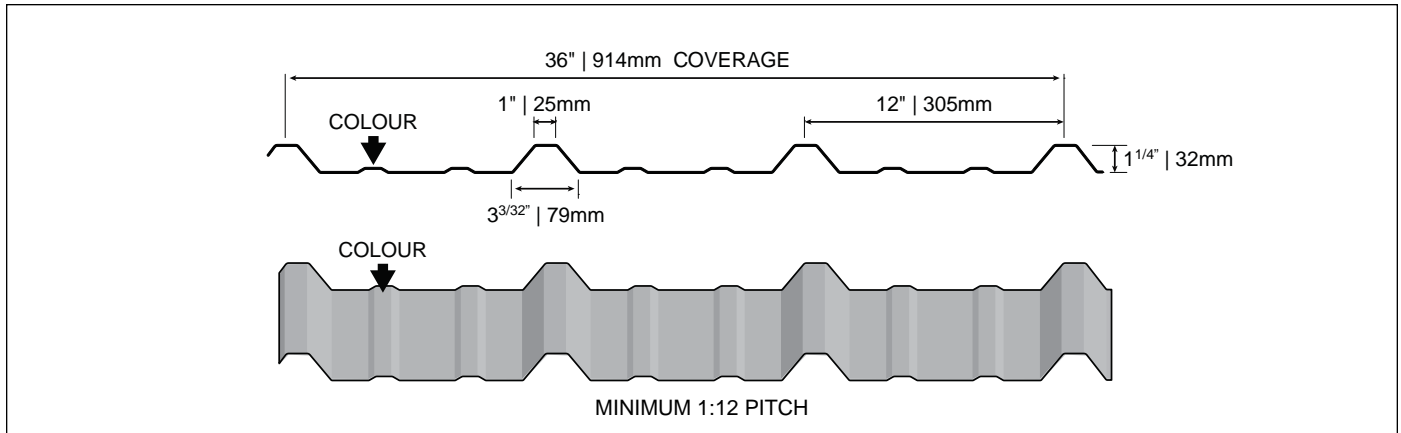
| Classic/Comm | Colour Code | Gauge(s) | | | Classic/Comm | Colour Code | Gauge(s) | | | Classic/Comm | Colour Code | Gauge(s) | | |
|-----------------|-------------|----------|----|--|------------------|-------------|----------|----|--|-------------------|-------------|----------|----|--|
| | | 26 | 24 | | | | 26 | 24 | | | | 26 | 24 | |
| Antique Linen | 8696 | • | • | | Dark Red | 8250 | • | | | Melcher's Green | 8307 | • | • | |
| Black | 8262 | • | | | Deep Water Green | 8684 | | | | Metro Brown | 8228 | • | • | |
| Bone White | 8273 | • | • | | Desert Gold | 8404 | | | | Pacific Turquoise | 8258 | | | |
| Bright Red | 8386 | • | | | Galvalume | 2 | • | • | | Regent Grey | 8730 | • | • | |
| Bright White | 8783 | • | • | | Galvanized | 1 | • | | | Royal Blue | 8790 | • | | |
| Buckskin | 9202 | • | • | | Gold | 8276 | • | • | | Sapphire Blue | 8261 | | | |
| Burgundy | 8873 | | | | Heron Blue | 8330 | • | • | | Slate Blue | 8260 | • | • | |
| Bronze | 8406 | | | | Hickory Moss | 8368 | | | | Stone Grey | 8305 | • | • | |
| Cambridge White | 8695 | • | | | Int'l Orange | 8234 | | | | Tan | 8315 | • | | |
| Charcoal | 8306 | • | • | | Ivory | 8802 | | | | Tile Red | 8269 | • | | |
| Coffee | 8326 | • | • | | Light Stone | 8367 | • | | | Whistler Green | 8093 | • | | |
| Dark Brown | 8229 | • | • | | Medium Green | 8329 | | | | White White | 8317 | • | • | |

| Textured | Colour Code | Gauge(s) | | | Textured | Colour Code | Gauge(s) | | | Exotic | Colour Code | Gauge(s) | | |
|-----------------|-------------|----------|----|--|-------------|-------------|----------|----|--|--------------|-------------|----------|----|--|
| | | 26 | 24 | | | | 26 | 24 | | | | 26 | 24 | |
| Chocolate Brown | 6034 | • | | | Jet Black | 6039 | • | | | Copper Penny | 8029 | • | • | |
| Chrome Green | 6037 | • | | | Oxide Red | 6042 | • | | | Dark Zinc | 1430 | • | | |
| Graphite Grey | 6035 | • | | | Sepia Brown | 6041 | • | | | Rustic Red | 1426 | • | | |
| | | | | | | | | | | Silver Mist | 8047 | • | | |

| Product Description | Grade(s) | lbs./Lin. Ft. | Additional Information |
|---------------------------|----------|---------------|--|
| 26 Gauge Plain Galvanized | 33/50 | 1.41 | <p>PLEASE CALL FOR PRICING Please contact your nearest location for availability and minimum/maximum lengths. Extended lead time may be required.</p> |
| 26 Gauge Plain Galvalume | 33/50 | 1.41 | |
| 26 Gauge Coloured | 33/50 | 1.41 | |
| 24 Gauge Plain Galvalume | 33 | 1.81 | |
| 24 Gauge Coloured | 33 | 1.81 | |

Check your local Westman branch for colour availability • Prices subject to change without notice. • "Special" crating charges where applicable. Charges apply for Short Sheet production less than 36" • Fabrication charges where applicable.

Market Segments – Agricultural | Commercial



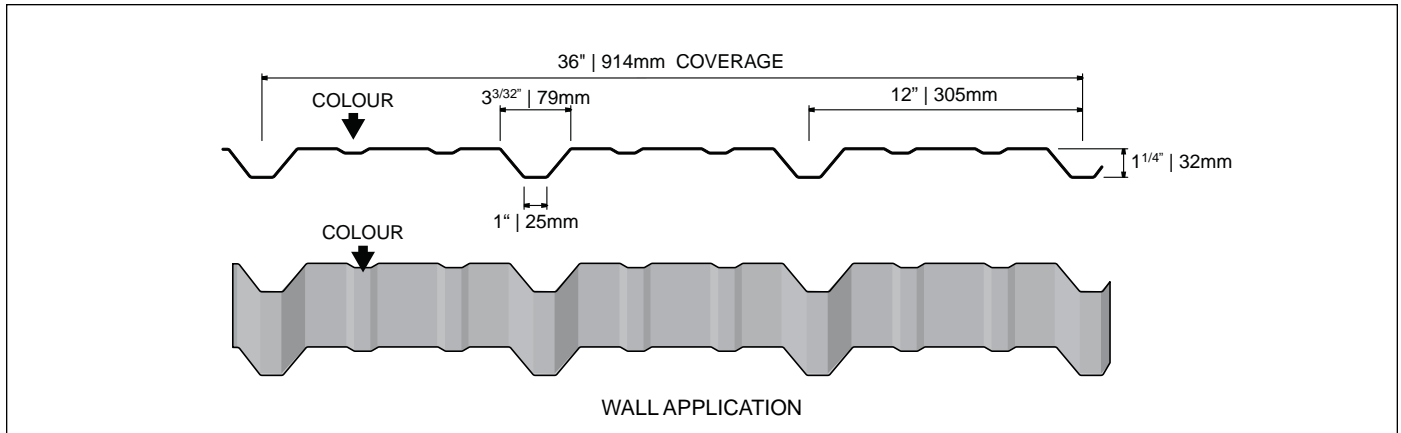
| Classic/Comm | Colour Code | Gauge(s) | | | Classic/Comm | Colour Code | Gauge(s) | | | Classic/Comm | Colour Code | Gauge(s) | | |
|-----------------|-------------|----------|----|--|------------------|-------------|----------|----|--|-------------------|-------------|----------|----|---|
| | | 26 | 24 | | | | 26 | 24 | | | | 26 | 24 | |
| Antique Linen | 8696 | • | • | | Dark Red | 8250 | • | | | Melcher's Green | 8307 | • | • | |
| Black | 8262 | • | | | Deep Water Green | 8684 | | | | Metro Brown | 8228 | | | • |
| Bone White | 8273 | • | • | | Desert Gold | 8404 | • | • | | Pacific Turquoise | 8258 | | | |
| Bright Red | 8386 | | | | Galvalume | 2 | • | • | | Regent Grey | 8730 | • | • | |
| Bright White | 8783 | • | • | | Galvanized | 1 | | | | Royal Blue | 8790 | • | | |
| Buckskin | 9202 | • | • | | Gold | 8276 | • | • | | Sapphire Blue | 8261 | | | |
| Burgundy | 8873 | | | | Heron Blue | 8330 | • | • | | Slate Blue | 8260 | • | • | |
| Bronze | 8406 | | • | | Hickory Moss | 8368 | | | | Stone Grey | 8305 | • | • | |
| Cambridge White | 8695 | • | | | Int'l Orange | 8234 | • | | | Tan | 8315 | • | • | |
| Charcoal | 8306 | • | • | | Ivory | 8802 | | | | Tile Red | 8269 | | | |
| Coffee | 8326 | • | • | | Light Stone | 8367 | • | | | Whistler Green | 8093 | | | |
| Dark Brown | 8229 | | | | Medium Green | 8329 | • | | | White White | 8317 | • | • | |

| Textured | Colour Code | Gauge(s) | | | Textured | Colour Code | Gauge(s) | | | Exotic | Colour Code | Gauge(s) | | |
|-----------------|-------------|----------|----|--|-------------|-------------|----------|----|--|--------------|-------------|----------|----|--|
| | | 26 | 24 | | | | 26 | 24 | | | | 26 | 24 | |
| Chocolate Brown | 6034 | • | | | Jet Black | 6039 | • | | | Copper Penny | 8029 | • | • | |
| Chrome Green | 6037 | • | | | Oxide Red | 6042 | • | | | Dark Zinc | 1430 | • | | |
| Graphite Grey | 6035 | • | | | Sepia Brown | 6041 | • | | | Rustic Red | 1426 | • | | |
| | | | | | | | | | | Silver Mist | 8047 | • | | |

| Product Description | Grade(s) | lbs./Lin. Ft. | Additional Information |
|--------------------------|----------|---------------|--|
| 26 Gauge Plain Galvalume | 50/80 | 2.82 | <p>PLEASE CALL FOR PRICING Please contact your nearest location for availability and minimum/maximum lengths. Extended lead time may be required.</p> |
| 26 Gauge Coloured | 50/80 | 2.82 | |
| 24 Gauge Plain Galvalume | 33 | 3.60 | |
| 24 Gauge Coloured | 33 | 3.60 | |

Check your local Westman branch for colour availability • Prices subject to change without notice. • "Special" crating charges where applicable. Charges apply for Short Sheet production less than 36" • Fabrication charges where applicable.

Market Segments – Agricultural | Commercial



| Classic/Comm | Colour Code | Gauge(s) | | |
|-----------------|-------------|----------|----|--|
| | | 26 | 24 | |
| Antique Linen | 8696 | • | • | |
| Black | 8262 | • | | |
| Bone White | 8273 | • | • | |
| Bright Red | 8386 | | | |
| Bright White | 8783 | • | • | |
| Buckskin | 9202 | • | • | |
| Burgundy | 8873 | | | |
| Bronze | 8406 | | • | |
| Cambridge White | 8695 | • | | |
| Charcoal | 8306 | • | • | |
| Coffee | 8326 | • | • | |
| Dark Brown | 8229 | | | |

| Classic/Comm | Colour Code | Gauge(s) | | |
|------------------|-------------|----------|----|--|
| | | 26 | 24 | |
| Dark Red | 8250 | • | | |
| Deep Water Green | 8684 | | | |
| Desert Gold | 8404 | • | • | |
| Galvalume | 2 | • | • | |
| Galvanized | 1 | | | |
| Gold | 8276 | • | • | |
| Heron Blue | 8330 | • | • | |
| Hickory Moss | 8368 | | | |
| Int'l Orange | 8234 | • | | |
| Ivory | 8802 | | | |
| Light Stone | 8367 | • | | |
| Medium Green | 8329 | • | | |

| Classic/Comm | Colour Code | Gauge(s) | | |
|-------------------|-------------|----------|----|--|
| | | 26 | 24 | |
| Melcher's Green | 8307 | • | • | |
| Metro Brown | 8228 | | • | |
| Pacific Turquoise | 8258 | | | |
| Regent Grey | 8730 | • | • | |
| Royal Blue | 8790 | • | | |
| Sapphire Blue | 8261 | | | |
| Slate Blue | 8260 | • | • | |
| Stone Grey | 8305 | • | • | |
| Tan | 8315 | • | • | |
| Tile Red | 8269 | | | |
| Whistler Green | 8093 | | | |
| White White | 8317 | • | • | |

| Textured | Colour Code | Gauge(s) | | |
|-----------------|-------------|----------|----|--|
| | | 26 | 24 | |
| Chocolate Brown | 6034 | • | | |
| Chrome Green | 6037 | • | | |
| Graphite Grey | 6035 | • | | |

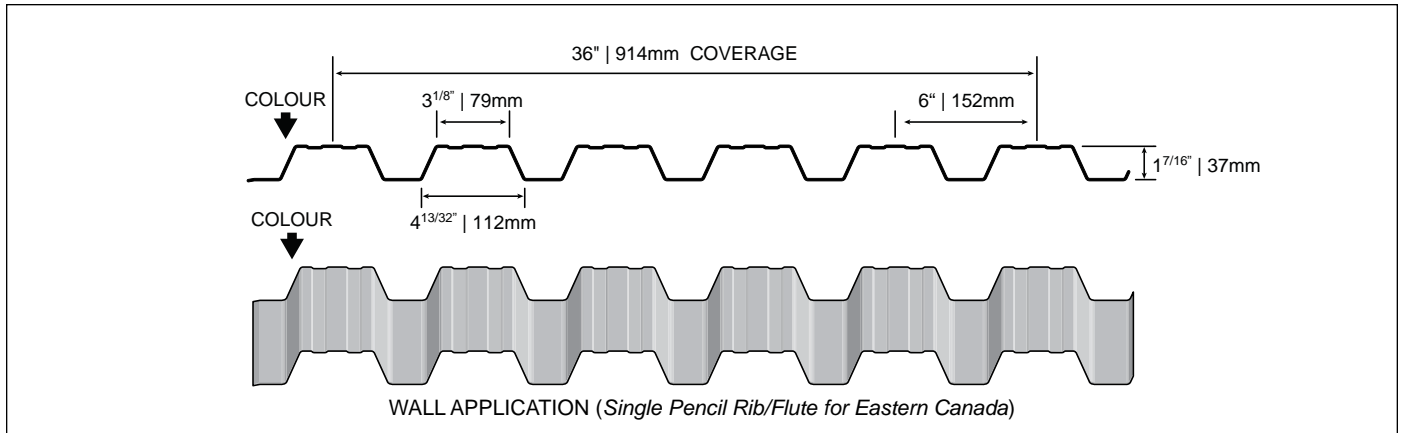
| Textured | Colour Code | Gauge(s) | | |
|-------------|-------------|----------|----|--|
| | | 26 | 24 | |
| Jet Black | 6039 | • | | |
| Oxide Red | 6042 | • | | |
| Sepia Brown | 6041 | • | | |

| Exotic | Colour Code | Gauge(s) | | |
|--------------|-------------|----------|----|--|
| | | 26 | 24 | |
| Copper Penny | 8029 | • | • | |
| Dark Zinc | 1430 | • | | |
| Rustic Red | 1426 | • | | |
| Silver Mist | 8047 | • | | |

| Product Description | Grade(s) | lbs./Lin. Ft. | Additional Information |
|--------------------------|----------|---------------|--|
| 26 Gauge Plain Galvalume | 50/80 | 2.82 | <p>PLEASE CALL FOR PRICING Please contact your nearest location for availability and minimum/maximum lengths. Extended lead time may be required.</p> |
| 26 Gauge Coloured | 50/80 | 2.82 | |
| 24 Gauge Plain Galvalume | 33 | 3.60 | |
| 24 Gauge Coloured | 33 | 3.60 | |

Check your local Westman branch for colour availability • Prices subject to change without notice. • "Special" crating charges where applicable. Charges apply for Short Sheet production less than 36" • Fabrication charges where applicable.

Market Segments – Commercial



| Classic/Comm | Colour Code | Gauge(s) | | |
|-----------------|-------------|----------|----|--|
| | | 26 | 24 | |
| Antique Linen | 8696 | | • | |
| Black | 8262 | • | • | |
| Bone White | 8273 | • | • | |
| Bright Red | 8386 | | | |
| Bright White | 8783 | • | | |
| Buckskin | 9202 | • | • | |
| Burgundy | 8873 | | | |
| Bronze | 8406 | | | |
| Cambridge White | 8695 | • | | |
| Charcoal | 8306 | • | • | |
| Coffee | 8326 | • | • | |
| Dark Brown | 8229 | • | • | |

| Classic/Comm | Colour Code | Gauge(s) | | |
|------------------|-------------|----------|----|--|
| | | 26 | 24 | |
| Dark Red | 8250 | | | |
| Deep Water Green | 8684 | | | |
| Desert Gold | 8404 | | | |
| Galvalume | 2 | • | • | |
| Galvanized | 1 | • | | |
| Gold | 8276 | • | | |
| Heron Blue | 8330 | • | | |
| Hickory Moss | 8368 | | | |
| Int'l Orange | 8234 | | | |
| Ivory | 8802 | | | |
| Light Stone | 8367 | | | |
| Medium Green | 8329 | | | |

| Classic/Comm | Colour Code | Gauge(s) | | |
|-------------------|-------------|----------|----|--|
| | | 26 | 24 | |
| Melcher's Green | 8307 | • | • | |
| Metro Brown | 8228 | • | | |
| Pacific Turquoise | 8258 | • | | |
| Regent Grey | 8730 | • | • | |
| Royal Blue | 8790 | • | | |
| Sapphire Blue | 8261 | • | | |
| Slate Blue | 8260 | • | • | |
| Stone Grey | 8305 | • | • | |
| Tan | 8315 | • | • | |
| Tile Red | 8269 | • | | |
| Whistler Green | 8093 | | | |
| White White | 8317 | • | • | |

| Textured | Colour Code | Gauge(s) | | |
|-----------------|-------------|----------|----|--|
| | | 26 | 24 | |
| Chocolate Brown | 6034 | | | |
| Chrome Green | 6037 | | | |
| Graphite Grey | 6035 | | | |

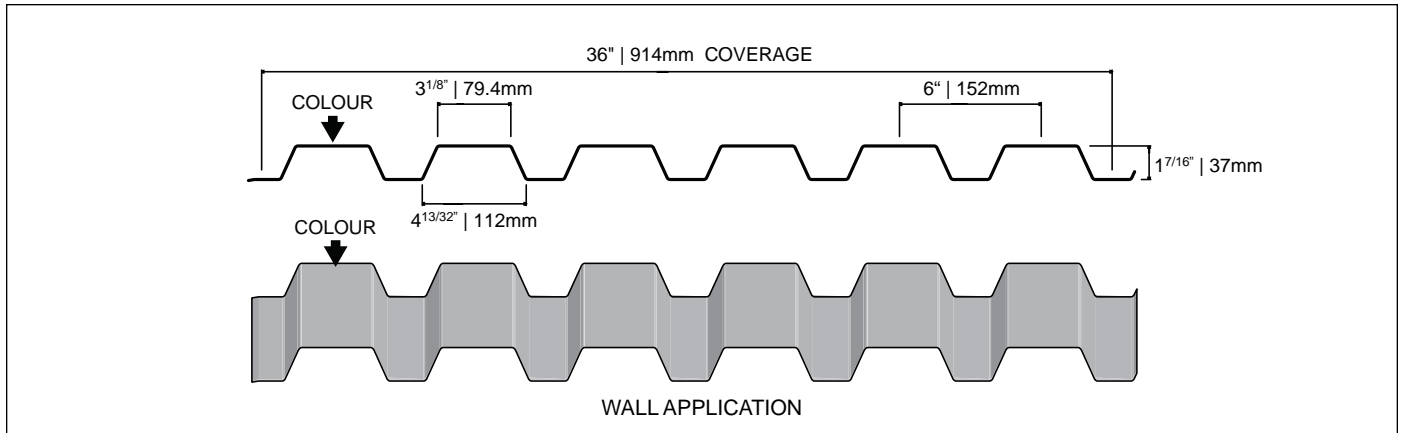
| Textured | Colour Code | Gauge(s) | | |
|-------------|-------------|----------|----|--|
| | | 26 | 24 | |
| Jet Black | 6039 | | | |
| Oxide Red | 6042 | | | |
| Sepia Brown | 6041 | | | |

| Exotic | Colour Code | Gauge(s) | | |
|--------------|-------------|----------|----|--|
| | | 26 | 24 | |
| Copper Penny | 8029 | | | |
| Dark Zinc | 1430 | | • | |
| Rustic Red | 1426 | | • | |
| Silver Mist | 8047 | | • | |

| Product Description | Grade(s) | lbs./Lin. Ft. | Additional Information |
|---------------------------|----------|---------------|--|
| 26 Gauge Plain Galvanized | 33/50 | 3.46 | <p>PLEASE CALL FOR PRICING</p> <p>Please contact your nearest location for availability and minimum/maximum lengths.</p> <p>Extended lead time may be required.</p> |
| 26 Gauge Plain Galvalume | 33/50 | 3.46 | |
| 26 Gauge Coloured | 33/50 | 3.46 | |
| 24 Gauge Plain Galvalume | 33 | 4.30 | |
| 24 Gauge Coloured | 33 | 4.30 | |

Check your local Westman branch for colour availability • Prices subject to change without notice. • "Special" crating charges where applicable. Charges apply for Short Sheet production less than 36" • Fabrication charges where applicable.

Market Segments – Commercial



| Classic/Comm | Colour Code | Gauge(s) | | |
|-----------------|-------------|----------|----|--|
| | | 26 | 24 | |
| Antique Linen | 8696 | | • | |
| Black | 8262 | • | • | |
| Bone White | 8273 | • | • | |
| Bright Red | 8386 | | | |
| Bright White | 8783 | • | | |
| Buckskin | 9202 | • | • | |
| Burgundy | 8873 | | | |
| Bronze | 8406 | | | |
| Cambridge White | 8695 | • | | |
| Charcoal | 8306 | • | • | |
| Coffee | 8326 | • | • | |
| Dark Brown | 8229 | • | • | |

| Classic/Comm | Colour Code | Gauge(s) | | |
|------------------|-------------|----------|----|--|
| | | 26 | 24 | |
| Dark Red | 8250 | | | |
| Deep Water Green | 8684 | | | |
| Desert Gold | 8404 | | | |
| Galvalume | 2 | • | • | |
| Galvanized | 1 | • | | |
| Gold | 8276 | • | | |
| Heron Blue | 8330 | • | | |
| Hickory Moss | 8368 | | | |
| Int'l Orange | 8234 | | | |
| Ivory | 8802 | | | |
| Light Stone | 8367 | | | |
| Medium Green | 8329 | | | |

| Classic/Comm | Colour Code | Gauge(s) | | |
|-------------------|-------------|----------|----|--|
| | | 26 | 24 | |
| Melcher's Green | 8307 | • | • | |
| Metro Brown | 8228 | • | | |
| Pacific Turquoise | 8258 | • | | |
| Regent Grey | 8730 | • | • | |
| Royal Blue | 8790 | • | | |
| Sapphire Blue | 8261 | • | | |
| Slate Blue | 8260 | • | • | |
| Stone Grey | 8305 | • | • | |
| Tan | 8315 | • | • | |
| Tile Red | 8269 | • | | |
| Whistler Green | 8093 | | | |
| White White | 8317 | • | • | |

| Textured | Colour Code | Gauge(s) | | |
|-----------------|-------------|----------|----|--|
| | | 26 | 24 | |
| Chocolate Brown | 6034 | | | |
| Chrome Green | 6037 | | | |
| Graphite Grey | 6035 | | | |

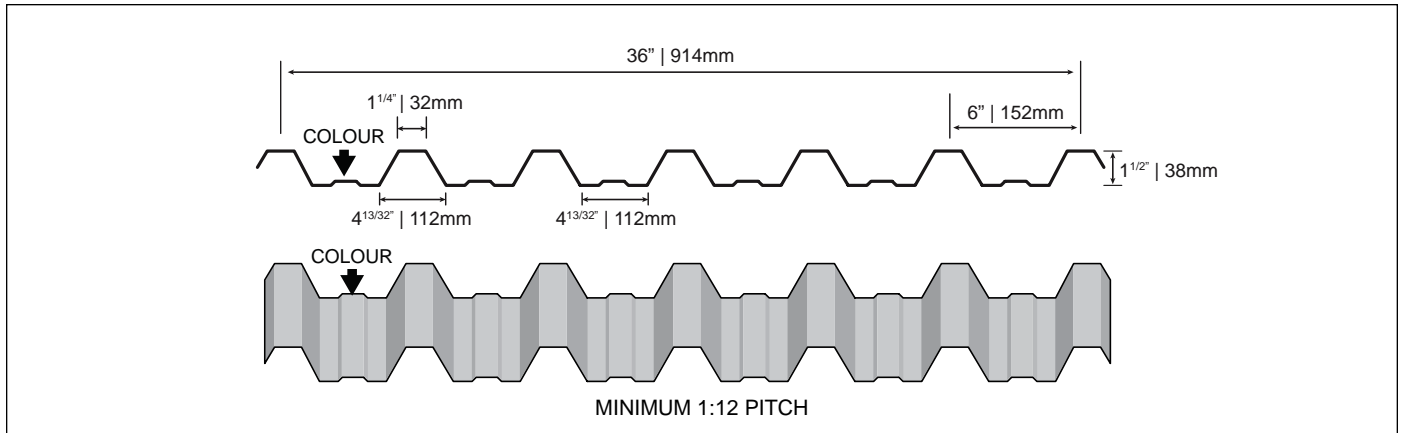
| Textured | Colour Code | Gauge(s) | | |
|-------------|-------------|----------|----|--|
| | | 26 | 24 | |
| Jet Black | 6039 | | | |
| Oxide Red | 6042 | | | |
| Sepia Brown | 6041 | | | |

| Exotic | Colour Code | Gauge(s) | | |
|--------------|-------------|----------|----|--|
| | | 26 | 24 | |
| Copper Penny | 8029 | | | |
| Dark Zinc | 1430 | | • | |
| Rustic Red | 1426 | | • | |
| Silver Mist | 8047 | | • | |

| Product Description | Grade(s) | lbs./Lin. Ft. | Additional Information |
|---------------------------|----------|---------------|--|
| 26 Gauge Plain Galvanized | 33/50 | 3.46 | <p>PLEASE CALL FOR PRICING Please contact your nearest location for availability and minimum/maximum lengths. Extended lead time may be required.</p> |
| 26 Gauge Plain Galvalume | 33/50 | 3.46 | |
| 26 Gauge Coloured | 33/50 | 3.46 | |
| 24 Gauge Plain Galvalume | 33 | 4.30 | |
| 24 Gauge Coloured | 33 | 4.30 | |

Check your local Westman branch for colour availability • Prices subject to change without notice. • "Special" crating charges where applicable. Charges apply for Short Sheet production less than 36" • Fabrication charges where applicable.

Market Segments – Commercial



| Classic/Comm | Colour Code | Gauge(s) | | |
|-----------------|-------------|----------|----|--|
| | | 26 | 24 | |
| Antique Linen | 8696 | | • | |
| Black | 8262 | • | • | |
| Bone White | 8273 | • | • | |
| Bright Red | 8386 | | | |
| Bright White | 8783 | • | | |
| Buckskin | 9202 | • | • | |
| Burgundy | 8873 | | | |
| Bronze | 8406 | | | |
| Cambridge White | 8695 | • | | |
| Charcoal | 8306 | • | • | |
| Coffee | 8326 | • | • | |
| Dark Brown | 8229 | • | • | |

| Classic/Comm | Colour Code | Gauge(s) | | |
|------------------|-------------|----------|----|--|
| | | 26 | 24 | |
| Dark Red | 8250 | | | |
| Deep Water Green | 8684 | | | |
| Desert Gold | 8404 | | | |
| Galvalume | 2 | • | • | |
| Galvanized | 1 | • | | |
| Gold | 8276 | • | | |
| Heron Blue | 8330 | • | | |
| Hickory Moss | 8368 | | | |
| Int'l Orange | 8234 | | | |
| Ivory | 8802 | | | |
| Light Stone | 8367 | | | |
| Medium Green | 8329 | | | |

| Classic/Comm | Colour Code | Gauge(s) | | |
|-------------------|-------------|----------|----|--|
| | | 26 | 24 | |
| Melcher's Green | 8307 | • | • | |
| Metro Brown | 8228 | • | | |
| Pacific Turquoise | 8258 | • | | |
| Regent Grey | 8730 | • | • | |
| Royal Blue | 8790 | • | | |
| Sapphire Blue | 8261 | • | | |
| Slate Blue | 8260 | • | • | |
| Stone Grey | 8305 | • | • | |
| Tan | 8315 | • | • | |
| Tile Red | 8269 | • | | |
| Whistler Green | 8093 | | | |
| White White | 8317 | • | • | |

| Textured | Colour Code | Gauge(s) | | |
|-----------------|-------------|----------|----|--|
| | | 26 | 24 | |
| Chocolate Brown | 6034 | | | |
| Chrome Green | 6037 | | | |
| Graphite Grey | 6035 | | | |

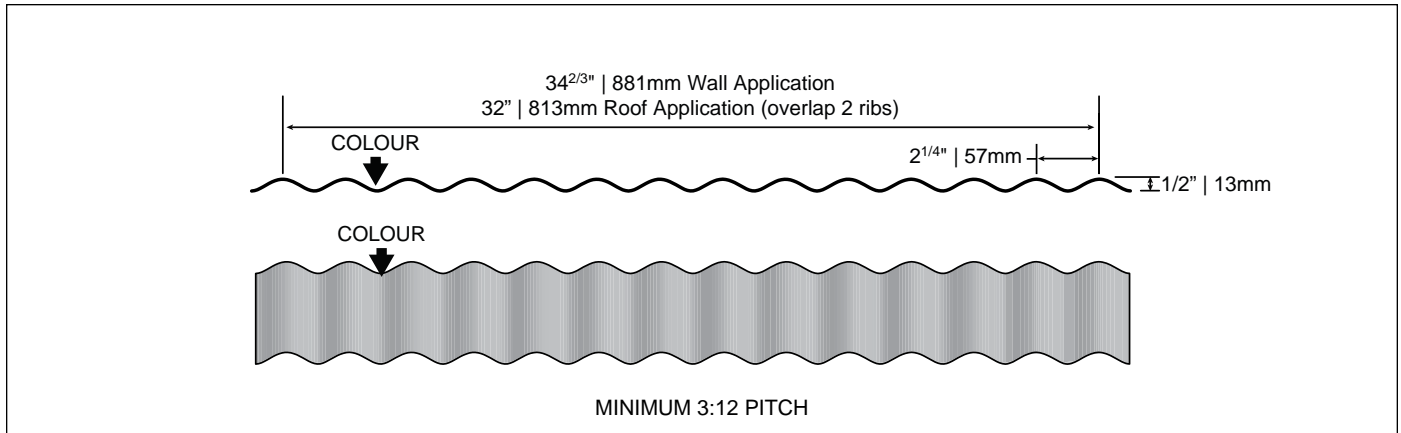
| Textured | Colour Code | Gauge(s) | | |
|-------------|-------------|----------|----|--|
| | | 26 | 24 | |
| Jet Black | 6039 | | | |
| Oxide Red | 6042 | | | |
| Sepia Brown | 6041 | | | |

| Exotic | Colour Code | Gauge(s) | | |
|--------------|-------------|----------|----|--|
| | | 26 | 24 | |
| Copper Penny | 8029 | | | |
| Dark Zinc | 1430 | | • | |
| Rustic Red | 1426 | | • | |
| Silver Mist | 8047 | | • | |

| Product Description | Grade(s) | lbs./Lin. Ft. | Additional Information |
|---------------------------|----------|---------------|--|
| 26 Gauge Plain Galvanized | 33/50 | 3.46 | <p>PLEASE CALL FOR PRICING Please contact your nearest location for availability and minimum/maximum lengths. Extended lead time may be required.</p> |
| 26 Gauge Plain Galvalume | 33/50 | 3.46 | |
| 26 Gauge Coloured | 33/50 | 3.46 | |
| 24 Gauge Plain Galvalume | 33 | 4.30 | |
| 24 Gauge Coloured | 33 | 4.30 | |

Check your local Westman branch for colour availability • Prices subject to change without notice. • “Special” crating charges where applicable. Charges apply for Short Sheet production less than 36” • Fabrication charges where applicable.

Market Segments – Commercial



| Classic/Comm | Colour Code | Gauge(s) | | |
|-----------------|-------------|----------|----|--|
| | | 29 | 26 | |
| Antique Linen | 8696 | | | |
| Black | 8262 | • | | |
| Bone White | 8273 | • | • | |
| Bright Red | 8386 | • | | |
| Bright White | 8783 | • | | |
| Buckskin | 9202 | • | | |
| Burgundy | 8873 | • | | |
| Bronze | 8406 | | | |
| Cambridge White | 8695 | | • | |
| Charcoal | 8306 | • | | |
| Coffee | 8326 | • | | |
| Dark Brown | 8229 | | | |

| Classic/Comm | Colour Code | Gauge(s) | | |
|------------------|-------------|----------|----|--|
| | | 29 | 26 | |
| Dark Red | 8250 | • | • | |
| Deep Water Green | 8684 | • | | |
| Desert Gold | 8404 | | | |
| Galvalume | 2 | • | • | |
| Galvanized | 1 | • | | |
| Gold | 8276 | • | | |
| Heron Blue | 8330 | • | | |
| Hickory Moss | 8368 | • | | |
| Int'l Orange | 8234 | • | | |
| Ivory | 8802 | • | | |
| Light Stone | 8367 | • | | |
| Medium Green | 8329 | • | | |

| Classic/Comm | Colour Code | Gauge(s) | | |
|-------------------|-------------|----------|----|--|
| | | 29 | 26 | |
| Melcher's Green | 8307 | • | • | |
| Metro Brown | 8228 | • | | |
| Pacific Turquoise | 8258 | • | | |
| Regent Grey | 8730 | • | | |
| Royal Blue | 8790 | • | | |
| Sapphire Blue | 8261 | • | | |
| Slate Blue | 8260 | • | | |
| Stone Grey | 8305 | • | | |
| Tan | 8315 | • | • | |
| Tile Red | 8269 | • | | |
| Whistler Green | 8093 | • | | |
| White White | 8317 | • | • | |

| Textured | Colour Code | Gauge(s) | | |
|-----------------|-------------|----------|----|--|
| | | 29 | 26 | |
| Chocolate Brown | 6034 | | | |
| Chrome Green | 6037 | | | |
| Graphite Grey | 6035 | | | |

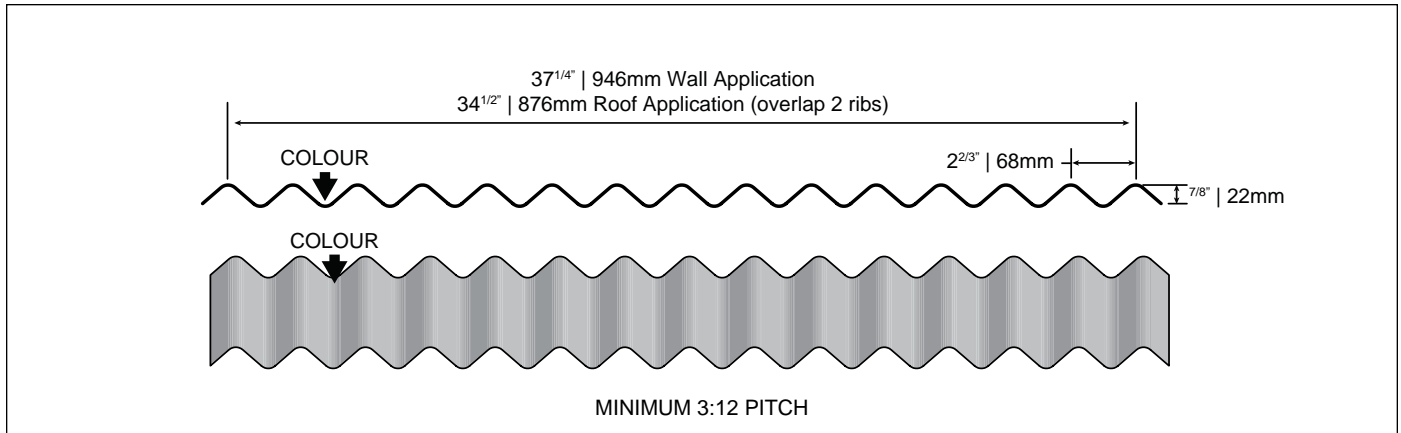
| Textured | Colour Code | Gauge(s) | | |
|-------------|-------------|----------|----|--|
| | | 29 | 26 | |
| Jet Black | 6039 | | | |
| Oxide Red | 6042 | | | |
| Sepia Brown | 6041 | | | |

| Exotic | Colour Code | Gauge(s) | | |
|--------------|-------------|----------|----|--|
| | | 29 | 26 | |
| Copper Penny | 8029 | | | |
| Dark Zinc | 1430 | | | |
| Rustic Red | 1426 | | | |
| Silver Mist | 8047 | | | |

| Product Description | Grade(s) | lbs./Lin. Ft. | Additional Information |
|---------------------------|----------|---------------|--|
| 29 Gauge Plain Galvanized | 80 | 2.03 | <p>PLEASE CALL FOR PRICING Please contact your nearest location for availability and minimum/maximum lengths. Extended lead time may be required.</p> |
| 29 Gauge Plain Galvalume | 80 | 2.03 | |
| 29 Gauge Coloured | 80 | 2.03 | |
| 26 Gauge Plain Galvalume | 80 | 2.92 | |
| 26 Gauge Coloured | 80 | 2.92 | |

Check your local Westman branch for colour availability • Prices subject to change without notice. • "Special" crating charges where applicable. Charges apply for Short Sheet production less than 36" • Fabrication charges where applicable.

Market Segments – Agricultural | Residential | Commercial



| Classic/Comm | Colour Code | Gauge(s) | | |
|-----------------|-------------|----------|----|--|
| | | 26 | 24 | |
| Antique Linen | 8696 | | • | |
| Black | 8262 | • | • | |
| Bone White | 8273 | • | • | |
| Bright Red | 8386 | | | |
| Bright White | 8783 | • | | |
| Buckskin | 9202 | • | • | |
| Burgundy | 8873 | | | |
| Bronze | 8406 | | | |
| Cambridge White | 8695 | • | | |
| Charcoal | 8306 | • | • | |
| Coffee | 8326 | • | • | |
| Dark Brown | 8229 | • | • | |

| Classic/Comm | Colour Code | Gauge(s) | | |
|------------------|-------------|----------|----|--|
| | | 26 | 24 | |
| Dark Red | 8250 | | | |
| Deep Water Green | 8684 | | | |
| Desert Gold | 8404 | | | |
| Galvalume | 2 | • | • | |
| Galvanized | 1 | • | | |
| Gold | 8276 | • | | |
| Heron Blue | 8330 | • | | |
| Hickory Moss | 8368 | | | |
| Int'l Orange | 8234 | | | |
| Ivory | 8802 | | | |
| Light Stone | 8367 | | | |
| Medium Green | 8329 | | | |

| Classic/Comm | Colour Code | Gauge(s) | | |
|-------------------|-------------|----------|----|--|
| | | 26 | 24 | |
| Melcher's Green | 8307 | • | • | |
| Metro Brown | 8228 | • | | |
| Pacific Turquoise | 8258 | • | | |
| Regent Grey | 8730 | • | • | |
| Royal Blue | 8790 | • | | |
| Sapphire Blue | 8261 | • | | |
| Slate Blue | 8260 | • | • | |
| Stone Grey | 8305 | • | • | |
| Tan | 8315 | • | • | |
| Tile Red | 8269 | • | | |
| Whistler Green | 8093 | | | |
| White White | 8317 | • | • | |

| Textured | Colour Code | Gauge(s) | | |
|-----------------|-------------|----------|----|--|
| | | 26 | 24 | |
| Chocolate Brown | 6034 | | | |
| Chrome Green | 6037 | | | |
| Graphite Grey | 6035 | | | |

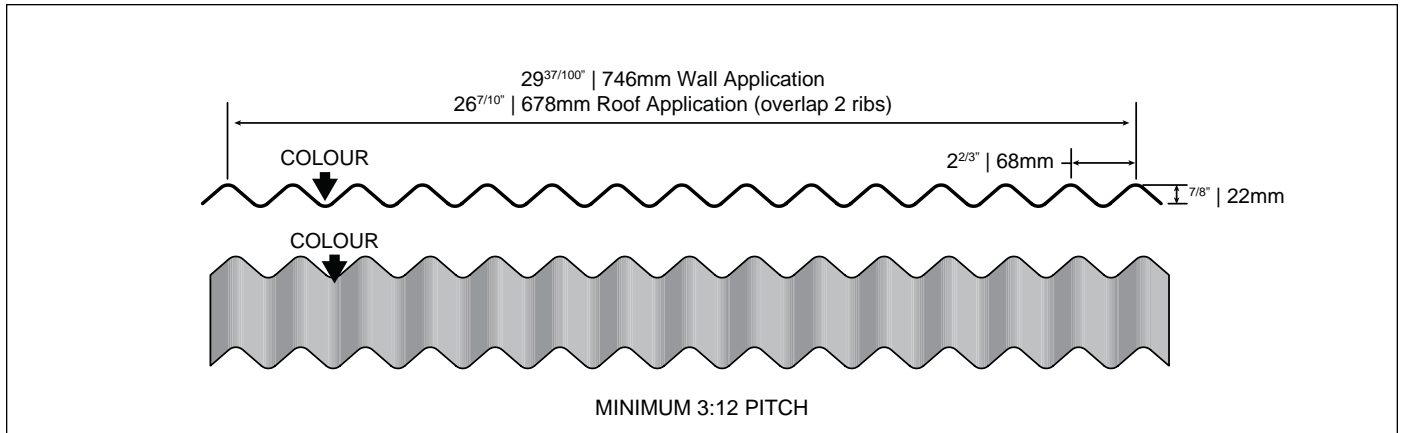
| Textured | Colour Code | Gauge(s) | | |
|-------------|-------------|----------|----|--|
| | | 26 | 24 | |
| Jet Black | 6039 | | | |
| Oxide Red | 6042 | | | |
| Sepia Brown | 6041 | | | |

| Exotic | Colour Code | Gauge(s) | | |
|--------------|-------------|----------|----|--|
| | | 26 | 24 | |
| Copper Penny | 8029 | | | |
| Dark Zinc | 1430 | | • | |
| Rustic Red | 1426 | | • | |
| Silver Mist | 8047 | | • | |

| Product Description | Grade(s) | lbs./Lin. Ft. | Additional Information |
|---------------------------|----------|---------------|--|
| 26 Gauge Plain Galvanized | 33/50 | 3.46 | <p>PLEASE CALL FOR PRICING Please contact your nearest location for availability and minimum/maximum lengths. Extended lead time may be required.</p> |
| 26 Gauge Plain Galvalume | 33/50 | 3.46 | |
| 26 Gauge Coloured | 33/50 | 3.46 | |
| 24 Gauge Plain Galvalume | 33 | 4.30 | |
| 24 Gauge Coloured | 33 | 4.30 | |

Check your local Westman branch for colour availability • Prices subject to change without notice. • "Special" crating charges where applicable. Charges apply for Short Sheet production less than 36" • Fabrication charges where applicable.

Market Segments – Agricultural | Residential | Commercial

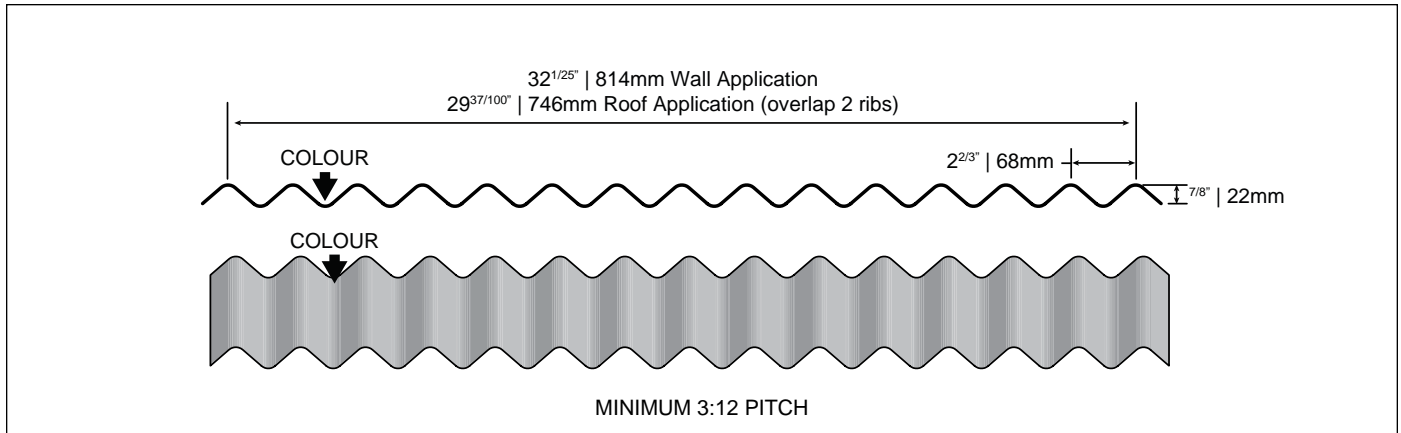


| Classic/Comm | Colour Code | Gauge(s) | | | Classic/Comm | Colour Code | Gauge(s) | | | Classic/Comm | Colour Code | Gauge(s) | | |
|-----------------|-------------|----------|----|--|------------------|-------------|----------|----|--|-------------------|-------------|----------|----|--|
| | | 29 | 26 | | | | 29 | 26 | | | | 29 | 26 | |
| Antique Linen | 8696 | | | | Dark Red | 8250 | • | | | Melcher's Green | 8307 | • | | |
| Black | 8262 | • | | | Deep Water Green | 8684 | • | | | Metro Brown | 8228 | • | | |
| Bone White | 8273 | • | | | Desert Gold | 8404 | | | | Pacific Turquoise | 8258 | • | | |
| Bright Red | 8386 | • | | | Galvalume | 2 | • | | | Regent Grey | 8730 | • | | |
| Bright White | 8783 | • | | | Galvanized | 1 | • | | | Royal Blue | 8790 | • | | |
| Buckskin | 9202 | • | | | Gold | 8276 | • | | | Sapphire Blue | 8261 | • | | |
| Burgundy | 8873 | • | | | Heron Blue | 8330 | • | | | Slate Blue | 8260 | • | | |
| Bronze | 8406 | | | | Hickory Moss | 8368 | • | | | Stone Grey | 8305 | • | | |
| Cambridge White | 8695 | | | | Int'l Orange | 8234 | • | | | Tan | 8315 | • | | |
| Charcoal | 8306 | • | | | Ivory | 8802 | • | | | Tile Red | 8269 | • | | |
| Coffee | 8326 | • | | | Light Stone | 8367 | • | | | Whistler Green | 8093 | • | | |
| Dark Brown | 8229 | | | | Medium Green | 8329 | • | | | White White | 8317 | • | | |

| Textured | Colour Code | Gauge(s) | | | Textured | Colour Code | Gauge(s) | | | Exotic | Colour Code | Gauge(s) | | |
|-----------------|-------------|----------|----|--|-------------|-------------|----------|----|--|--------------|-------------|----------|----|--|
| | | 29 | 26 | | | | 29 | 26 | | | | 29 | 26 | |
| Chocolate Brown | 6034 | | | | Jet Black | 6039 | | | | Copper Penny | 8029 | • | | |
| Chrome Green | 6037 | | | | Oxide Red | 6042 | | | | Dark Zinc | 1430 | | | |
| Graphite Grey | 6035 | | | | Sepia Brown | 6041 | | | | Rustic Red | 1426 | | | |
| | | | | | | | | | | Silver Mist | 8047 | | | |

| Product Description | Grade(s) | lbs./Lin. Ft. | Additional Information |
|---------------------------|----------|---------------|--|
| 29 Gauge Plain Galvanized | 80 | 2.03 | <p>PLEASE CALL FOR PRICING</p> <p>Please contact your nearest location for availability and minimum/maximum lengths.</p> <p>Extended lead time may be required.</p> |
| 29 Gauge Plain Galvalume | 80 | 2.03 | |
| 29 Gauge Coloured | 80 | 2.03 | |

Check your local Westman branch for colour availability • Prices subject to change without notice. • "Special" crating charges where applicable. Charges apply for Short Sheet production less than 36" • Fabrication charges where applicable.

Market Segments – Agricultural | Residential | Commercial


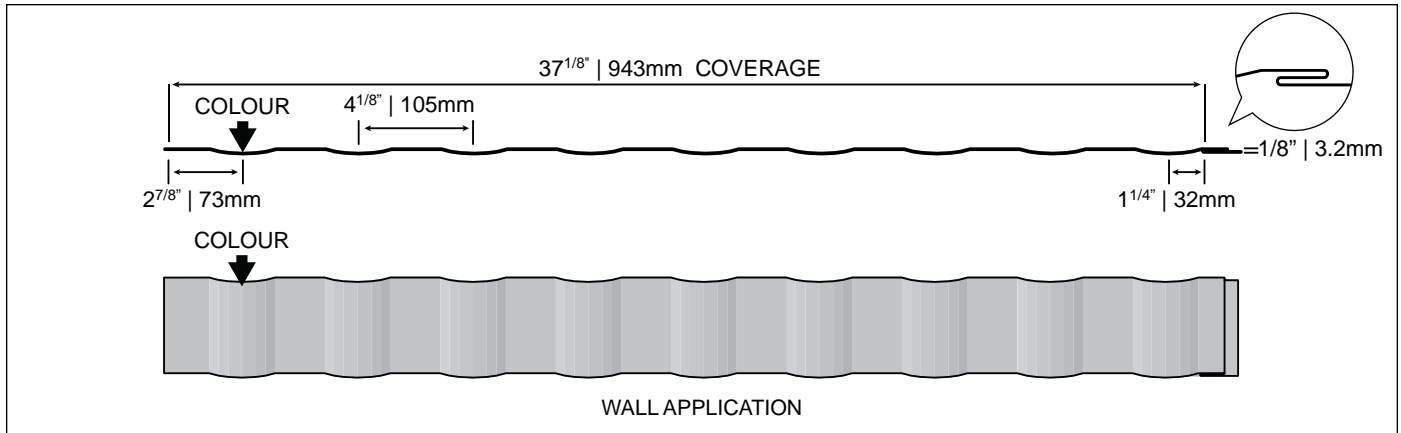
| Classic/Comm | Colour Code | Gauge(s) | | | Classic/Comm | Colour Code | Gauge(s) | | | Classic/Comm | Colour Code | Gauge(s) | | |
|-----------------|-------------|----------|----|--|------------------|-------------|----------|----|--|-------------------|-------------|----------|----|---|
| | | 26 | 24 | | | | 26 | 24 | | | | 26 | 24 | |
| Antique Linen | 8696 | • | • | | Dark Red | 8250 | • | | | Melcher's Green | 8307 | • | • | |
| Black | 8262 | • | | | Deep Water Green | 8684 | | | | Metro Brown | 8228 | | | • |
| Bone White | 8273 | • | • | | Desert Gold | 8404 | • | • | | Pacific Turquoise | 8258 | | | |
| Bright Red | 8386 | | | | Galvalume | 2 | • | • | | Regent Grey | 8730 | • | • | |
| Bright White | 8783 | • | • | | Galvanized | 1 | | | | Royal Blue | 8790 | • | | |
| Buckskin | 9202 | • | • | | Gold | 8276 | • | • | | Sapphire Blue | 8261 | | | |
| Burgundy | 8873 | | | | Heron Blue | 8330 | • | • | | Slate Blue | 8260 | • | • | |
| Bronze | 8406 | | • | | Hickory Moss | 8368 | | | | Stone Grey | 8305 | • | • | |
| Cambridge White | 8695 | • | | | Int'l Orange | 8234 | • | | | Tan | 8315 | • | • | |
| Charcoal | 8306 | • | • | | Ivory | 8802 | | | | Tile Red | 8269 | | | |
| Coffee | 8326 | • | • | | Light Stone | 8367 | • | | | Whistler Green | 8093 | | | |
| Dark Brown | 8229 | | | | Medium Green | 8329 | • | | | White White | 8317 | • | • | |

| Textured | Colour Code | Gauge(s) | | | Textured | Colour Code | Gauge(s) | | | Exotic | Colour Code | Gauge(s) | | |
|-----------------|-------------|----------|----|--|-------------|-------------|----------|----|--|--------------|-------------|----------|----|--|
| | | 26 | 24 | | | | 26 | 24 | | | | 26 | 24 | |
| Chocolate Brown | 6034 | • | | | Jet Black | 6039 | • | | | Copper Penny | 8029 | • | • | |
| Chrome Green | 6037 | • | | | Oxide Red | 6042 | • | | | Dark Zinc | 1430 | • | | |
| Graphite Grey | 6035 | • | | | Sepia Brown | 6041 | • | | | Rustic Red | 1426 | • | | |
| | | | | | | | | | | Silver Mist | 8047 | • | | |

| Product Description | Grade(s) | lbs./Lin. Ft. | Additional Information |
|--------------------------|----------|---------------|---|
| 26 Gauge Plain Galvalume | 50/80 | 2.82 | PLEASE CALL FOR PRICING Please contact your nearest location for availability and minimum/maximum lengths. Extended lead time may be required. |
| 26 Gauge Coloured | 50/80 | 2.82 | |
| 24 Gauge Plain Galvalume | 33 | 3.60 | |
| 24 Gauge Coloured | 33 | 3.60 | |

Check your local Westman branch for colour availability • Prices subject to change without notice. • "Special" crating charges where applicable. Charges apply for Short Sheet production less than 36" • Fabrication charges where applicable.

Market Segments – Commercial



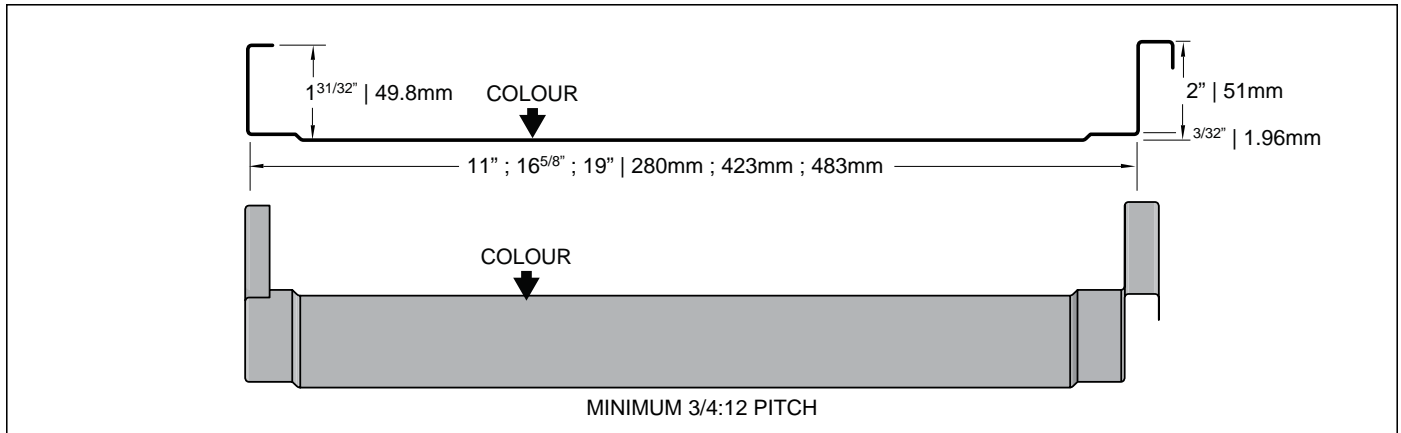
| | | Gauge(s) | | | | | Gauge(s) | | | | | Gauge(s) | | |
|-----------------|-------------|----------|----|--|------------------|-------------|----------|----|--|-------------------|-------------|----------|----|--|
| Classic/Comm | Colour Code | 29 | 26 | | Classic/Comm | Colour Code | 29 | 26 | | Classic/Comm | Colour Code | 29 | 26 | |
| Antique Linen | 8696 | | | | Dark Red | 8250 | • | | | Melcher's Green | 8307 | • | | |
| Black | 8262 | • | | | Deep Water Green | 8684 | • | | | Metro Brown | 8228 | • | | |
| Bone White | 8273 | • | | | Desert Gold | 8404 | | | | Pacific Turquoise | 8258 | • | | |
| Bright Red | 8386 | • | | | Galvalume | 2 | • | | | Regent Grey | 8730 | • | | |
| Bright White | 8783 | • | | | Galvanized | 1 | • | | | Royal Blue | 8790 | • | | |
| Buckskin | 9202 | • | | | Gold | 8276 | • | | | Sapphire Blue | 8261 | • | | |
| Burgundy | 8873 | • | | | Heron Blue | 8330 | • | | | Slate Blue | 8260 | • | | |
| Bronze | 8406 | | | | Hickory Moss | 8368 | • | | | Stone Grey | 8305 | • | | |
| Cambridge White | 8695 | | | | Int'l Orange | 8234 | • | | | Tan | 8315 | • | | |
| Charcoal | 8306 | • | | | Ivory | 8802 | • | | | Tile Red | 8269 | • | | |
| Coffee | 8326 | • | | | Light Stone | 8367 | • | | | Whistler Green | 8093 | • | | |
| Dark Brown | 8229 | | | | Medium Green | 8329 | • | | | White White | 8317 | • | | |

| | | Gauge(s) | | | | | Gauge(s) | | | | | Gauge(s) | | |
|-----------------|-------------|----------|----|--|-------------|-------------|----------|----|--|--------------|-------------|----------|----|--|
| Textured | Colour Code | 29 | 26 | | Textured | Colour Code | 29 | 26 | | Exotic | Colour Code | 29 | 26 | |
| Chocolate Brown | 6034 | | | | Jet Black | 6039 | | | | Copper Penny | 8029 | • | | |
| Chrome Green | 6037 | | | | Oxide Red | 6042 | | | | Dark Zinc | 1430 | | | |
| Graphite Grey | 6035 | | | | Sepia Brown | 6041 | | | | Rustic Red | 1426 | | | |
| | | | | | | | | | | Silver Mist | 8047 | | | |

| Product Description | Grade(s) | lbs./Lin. Ft. | Additional Information |
|---------------------------|----------|---------------|--|
| 29 Gauge Plain Galvanized | 80 | 2.03 | <p>PLEASE CALL FOR PRICING Please contact your nearest location for availability and minimum/maximum lengths. Extended lead time may be required.</p> |
| 29 Gauge Plain Galvalume | 80 | 2.03 | |
| 29 Gauge Coloured | 80 | 2.03 | |

Check your local Westman branch for colour availability • Prices subject to change without notice. • “Special” crating charges where applicable. Charges apply for Short Sheet production less than 36” • Fabrication charges where applicable.

Market Segments – Commercial



Available as a Fixed or Floating Clip System - hand seaming/mechanical seaming required

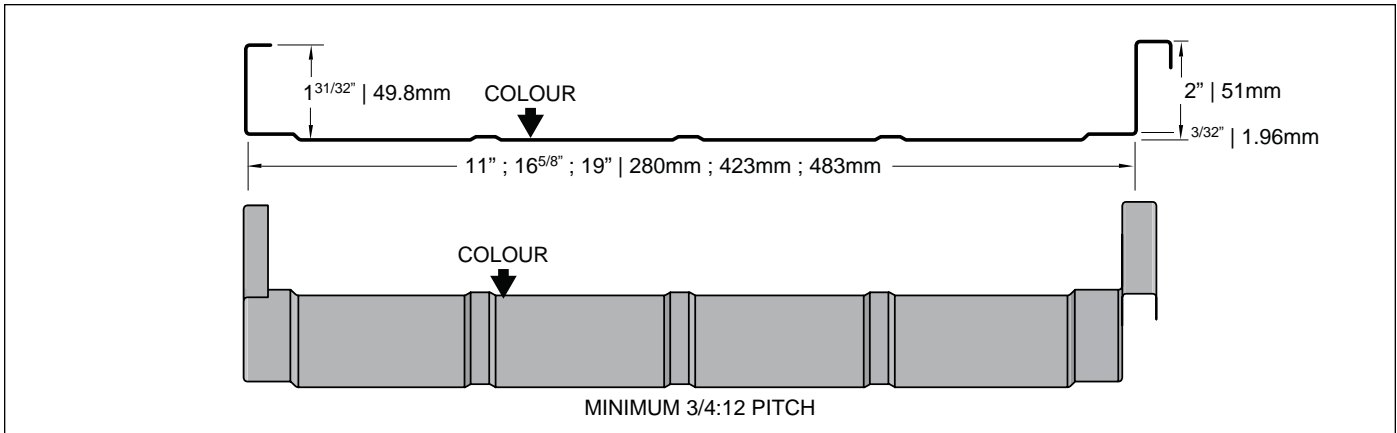
| Classic/Comm | Colour Code | Gauge(s) | | | Classic/Comm | Colour Code | Gauge(s) | | | Classic/Comm | Colour Code | Gauge(s) | | |
|-----------------|-------------|----------|----|----|------------------|-------------|----------|----|----|-------------------|-------------|----------|----|----|
| | | 26 | 24 | 22 | | | 26 | 24 | 22 | | | 26 | 24 | 22 |
| Antique Linen | 8696 | • | • | • | Dark Red | 8250 | | | | Melcher's Green | 8307 | • | • | |
| Black | 8262 | • | | • | Deep Water Green | 8684 | | | | Metro Brown | 8228 | | | • |
| Bone White | 8273 | • | • | • | Desert Gold | 8404 | • | • | | Pacific Turquoise | 8258 | | | |
| Bright Red | 8386 | • | | | Galvalume | 2 | • | • | • | Regent Grey | 8730 | • | • | • |
| Bright White | 8783 | • | | | Galvanized | 1 | • | | • | Royal Blue | 8790 | • | | |
| Buckskin | 9202 | • | • | | Gold | 8276 | • | • | | Sapphire Blue | 8261 | | | |
| Burgundy | 8873 | | | | Heron Blue | 8330 | • | • | • | Slate Blue | 8260 | • | • | • |
| Bronze | 8406 | • | • | | Hickory Moss | 8368 | | | | Stone Grey | 8305 | • | | • |
| Cambridge White | 8695 | • | | • | Int'l Orange | 8234 | | | | Tan | 8315 | • | • | |
| Charcoal | 8306 | • | • | • | Ivory | 8802 | | | | Tile Red | 8269 | | | |
| Coffee | 8326 | • | • | | Light Stone | 8367 | | | | Whistler Green | 8093 | | | |
| Dark Brown | 8229 | • | • | • | Medium Green | 8329 | | | | White White | 8317 | • | • | • |

| Textured | Colour Code | Gauge(s) | | | Textured | Colour Code | Gauge(s) | | | Exotic | Colour Code | Gauge(s) | | |
|-----------------|-------------|----------|----|----|-------------|-------------|----------|----|----|--------------|-------------|----------|----|----|
| | | 26 | 24 | 22 | | | 26 | 24 | 22 | | | 26 | 24 | 22 |
| Chocolate Brown | 6034 | • | | | Jet Black | 6039 | • | | | Copper Penny | 8029 | • | • | |
| Chrome Green | 6037 | • | | | Oxide Red | 6042 | • | | | Dark Zinc | 1430 | • | • | |
| Graphite Grey | 6035 | • | | | Sepia Brown | 6041 | • | | | Rustic Red | 1426 | • | • | |
| | | | | | | | | | | Silver Mist | 8047 | • | • | |

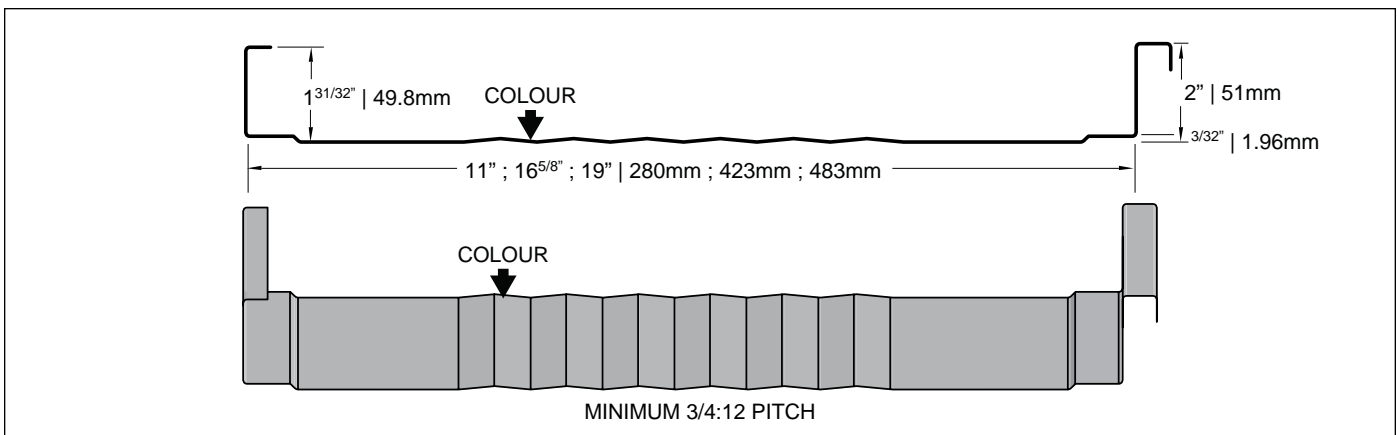
| Product Description | Grade(s) | lbs./Lin. Ft. | ADDITIONAL INFORMATION |
|---------------------------|----------|----------------------------|--|
| 26 Gauge Plain Galvanized | 33/50 | Inquire per gauge/coverage | <p>PLEASE CALL FOR PRICING</p> <p>Please contact your nearest location for availability and minimum/maximum lengths.</p> <p>Extended lead time may be required.</p> |
| 26 Gauge Plain Galvalume | 33/50 | Inquire per gauge/coverage | |
| 26 Gauge Coloured | 33/50 | Inquire per gauge/coverage | |
| 24 Gauge Plain Galvalume | 33 | Inquire per gauge/coverage | |
| 24 Gauge Coloured | 33 | Inquire per gauge/coverage | |
| 22 Gauge Galvanized | 33 | Inquire per gauge/coverage | |
| 22 Gauge Plain Galvalume | 33 | Inquire per gauge/coverage | |
| 22 Gauge Coloured | 33 | Inquire per gauge/coverage | |

Check your local Westman branch for colour availability • Prices subject to change without notice. • "Special" crating charges where applicable. Charges apply for Short Sheet production less than 36" • Fabrication charges where applicable.

Market Segments - Commercial



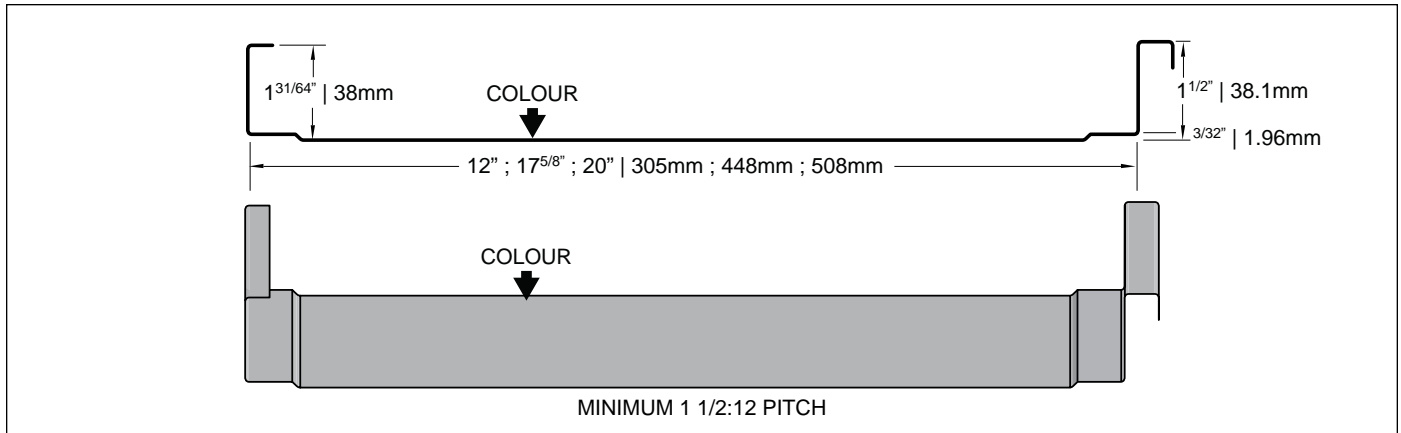
Available as a Fixed or Floating Clip System - hand seaming/mechanical seaming required | Pencil ribs not shown to scale



Available as a Fixed or Floating Clip System - hand seaming/mechanical seaming required | Striations not shown to scale

Check your local Westman branch for colour availability • Prices subject to change without notice. • "Special" crating charges where applicable.
Charges apply for Short Sheet production less than 36" • Fabrication charges where applicable.

Market Segments – Commercial



Available as a Fixed or Floating Clip System - hand seaming/mechanical seaming required

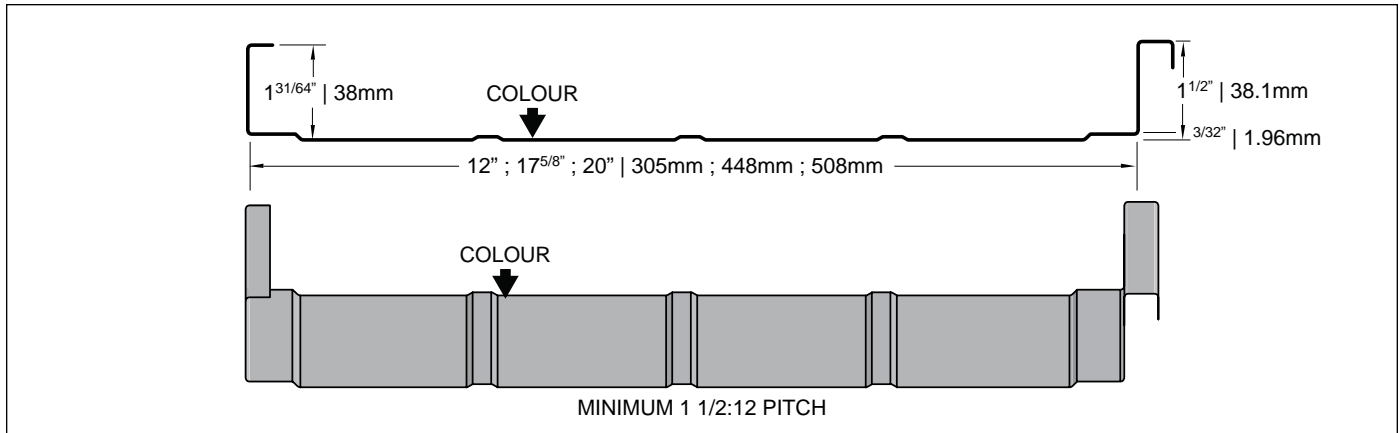
| Classic/Comm | Colour Code | Gauge(s) | | | Classic/Comm | Colour Code | Gauge(s) | | | Classic/Comm | Colour Code | Gauge(s) | | |
|-----------------|-------------|----------|----|----|------------------|-------------|----------|----|----|-------------------|-------------|----------|----|----|
| | | 26 | 24 | 22 | | | 26 | 24 | 22 | | | 26 | 24 | 22 |
| Antique Linen | 8696 | • | • | • | Dark Red | 8250 | | | | Melcher's Green | 8307 | • | • | |
| Black | 8262 | • | | • | Deep Water Green | 8684 | | | | Metro Brown | 8228 | | | • |
| Bone White | 8273 | • | • | • | Desert Gold | 8404 | • | • | | Pacific Turquoise | 8258 | | | |
| Bright Red | 8386 | • | | | Galvalume | 2 | • | • | • | Regent Grey | 8730 | • | • | • |
| Bright White | 8783 | • | | | Galvanized | 1 | • | | • | Royal Blue | 8790 | • | | |
| Buckskin | 9202 | • | • | | Gold | 8276 | • | • | | Sapphire Blue | 8261 | | | |
| Burgundy | 8873 | | | | Heron Blue | 8330 | • | • | • | Slate Blue | 8260 | • | • | • |
| Bronze | 8406 | • | • | | Hickory Moss | 8368 | | | | Stone Grey | 8305 | • | | • |
| Cambridge White | 8695 | • | | • | Intl Orange | 8234 | | | | Tan | 8315 | • | • | |
| Charcoal | 8306 | • | • | • | Ivory | 8802 | | | | Tile Red | 8269 | | | |
| Coffee | 8326 | • | • | | Light Stone | 8367 | | | | Whistler Green | 8093 | | | |
| Dark Brown | 8229 | • | • | • | Medium Green | 8329 | | | | White White | 8317 | • | • | • |

| Textured | Colour Code | Gauge(s) | | | Textured | Colour Code | Gauge(s) | | | Exotic | Colour Code | Gauge(s) | | |
|-----------------|-------------|----------|----|----|-------------|-------------|----------|----|----|--------------|-------------|----------|----|----|
| | | 26 | 24 | 22 | | | 26 | 24 | 22 | | | 26 | 24 | 22 |
| Chocolate Brown | 6034 | • | | | Jet Black | 6039 | • | | | Copper Penny | 8029 | • | • | |
| Chrome Green | 6037 | • | | | Oxide Red | 6042 | • | | | Dark Zinc | 1430 | • | • | |
| Graphite Grey | 6035 | • | | | Sepia Brown | 6041 | • | | | Rustic Red | 1426 | • | • | |
| | | | | | | | | | | Silver Mist | 8047 | • | • | |

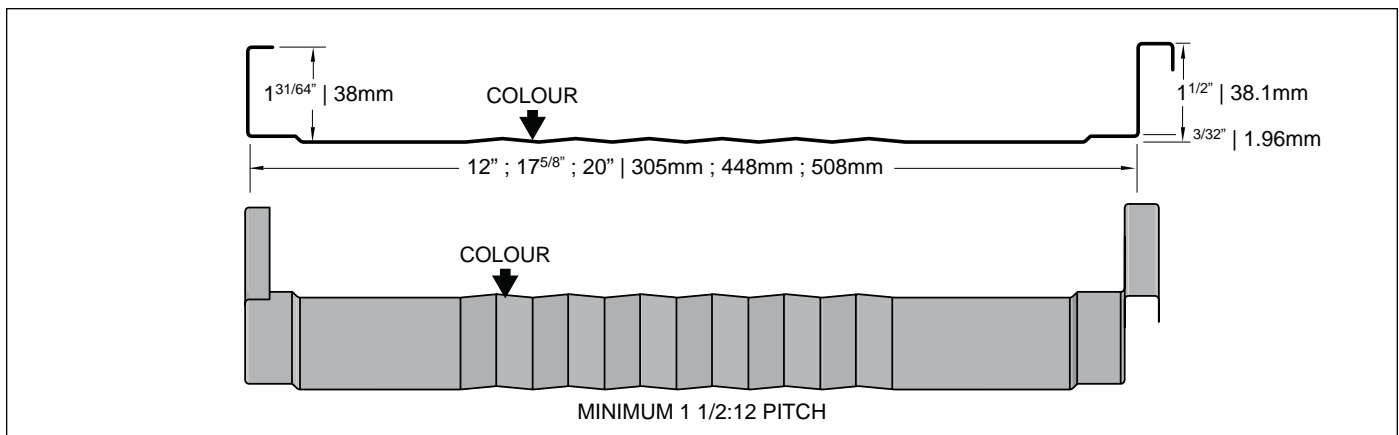
| Product Description | Grade(s) | lbs./Lin. Ft. | ADDITIONAL INFORMATION |
|---------------------------|----------|----------------------------|--|
| 26 Gauge Plain Galvanized | 33/50 | Inquire per gauge/coverage | <p>PLEASE CALL FOR PRICING</p> <p>Please contact your nearest location for availability and minimum/maximum lengths.</p> <p>Extended lead time may be required.</p> |
| 26 Gauge Plain Galvalume | 33/50 | Inquire per gauge/coverage | |
| 26 Gauge Coloured | 33/50 | Inquire per gauge/coverage | |
| 24 Gauge Plain Galvalume | 33 | Inquire per gauge/coverage | |
| 24 Gauge Coloured | 33 | Inquire per gauge/coverage | |
| 22 Gauge Galvanized | 33 | Inquire per gauge/coverage | |
| 22 Gauge Plain Galvalume | 33 | Inquire per gauge/coverage | |
| 22 Gauge Coloured | 33 | Inquire per gauge/coverage | |

Check your local Westman branch for colour availability • Prices subject to change without notice. • "Special" crating charges where applicable. Charges apply for Short Sheet production less than 36" • Fabrication charges where applicable.

Market Segments - Commercial



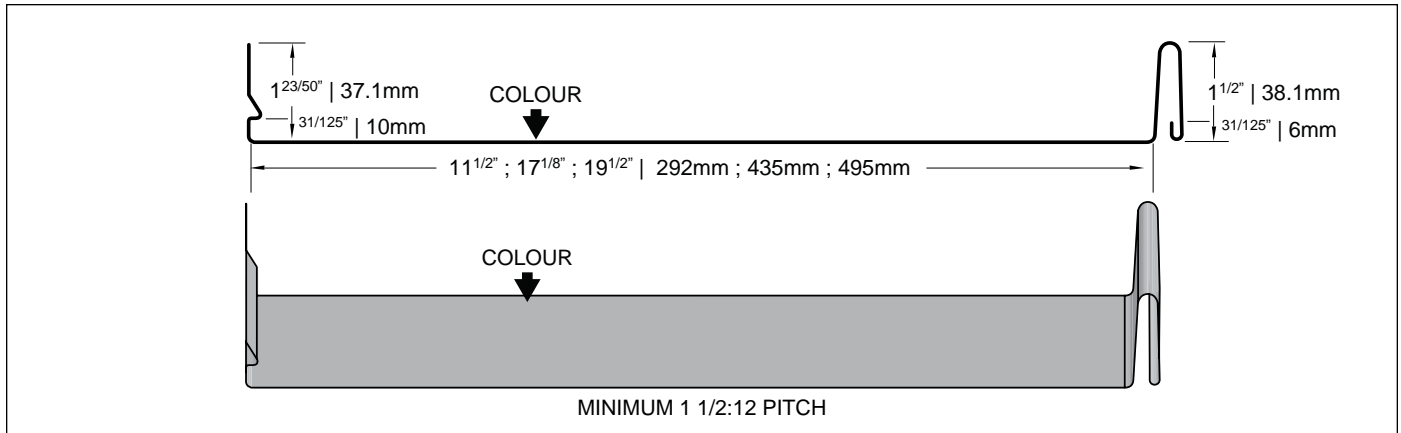
Available as a Fixed or Floating Clip System - hand seaming/mechanical seaming required | Pencil ribs not shown to scale



Available as a Fixed or Floating Clip System - hand seaming/mechanical seaming required | Striations not shown to scale

Check your local Westman branch for colour availability • Prices subject to change without notice. • "Special" crating charges where applicable.
Charges apply for Short Sheet production less than 36" • Fabrication charges where applicable.

Market Segments – Commercial



Available as a Fixed Clip System - no hand seaming/mechanical seaming required

| Classic/Comm | Colour Code | Gauge(s) | | |
|-----------------|-------------|----------|----|----|
| | | 26 | 24 | 22 |
| Antique Linen | 8696 | • | • | • |
| Black | 8262 | • | | • |
| Bone White | 8273 | • | • | • |
| Bright Red | 8386 | • | | |
| Bright White | 8783 | • | | |
| Buckskin | 9202 | • | • | |
| Burgundy | 8873 | | | |
| Bronze | 8406 | • | • | |
| Cambridge White | 8695 | • | | • |
| Charcoal | 8306 | • | • | • |
| Coffee | 8326 | • | • | |
| Dark Brown | 8229 | • | • | • |

| Classic/Comm | Colour Code | Gauge(s) | | |
|------------------|-------------|----------|----|----|
| | | 26 | 24 | 22 |
| Dark Red | 8250 | | | |
| Deep Water Green | 8684 | | | |
| Desert Gold | 8404 | • | • | |
| Galvalume | 2 | • | • | • |
| Galvanized | 1 | • | | • |
| Gold | 8276 | • | • | |
| Heron Blue | 8330 | • | • | • |
| Hickory Moss | 8368 | | | |
| Int'l Orange | 8234 | | | |
| Ivory | 8802 | | | |
| Light Stone | 8367 | | | |
| Medium Green | 8329 | | | |

| Classic/Comm | Colour Code | Gauge(s) | | |
|-------------------|-------------|----------|----|----|
| | | 26 | 24 | 22 |
| Melcher's Green | 8307 | • | • | |
| Metro Brown | 8228 | | • | |
| Pacific Turquoise | 8258 | | | |
| Regent Grey | 8730 | • | • | • |
| Royal Blue | 8790 | • | | |
| Sapphire Blue | 8261 | | | |
| Slate Blue | 8260 | • | • | • |
| Stone Grey | 8305 | • | | • |
| Tan | 8315 | • | • | |
| Tile Red | 8269 | | | |
| Whistler Green | 8093 | | | |
| White White | 8317 | • | • | • |

| Textured | Colour Code | Gauge(s) | | |
|-----------------|-------------|----------|----|----|
| | | 26 | 24 | 22 |
| Chocolate Brown | 6034 | • | | |
| Chrome Green | 6037 | • | | |
| Graphite Grey | 6035 | • | | |

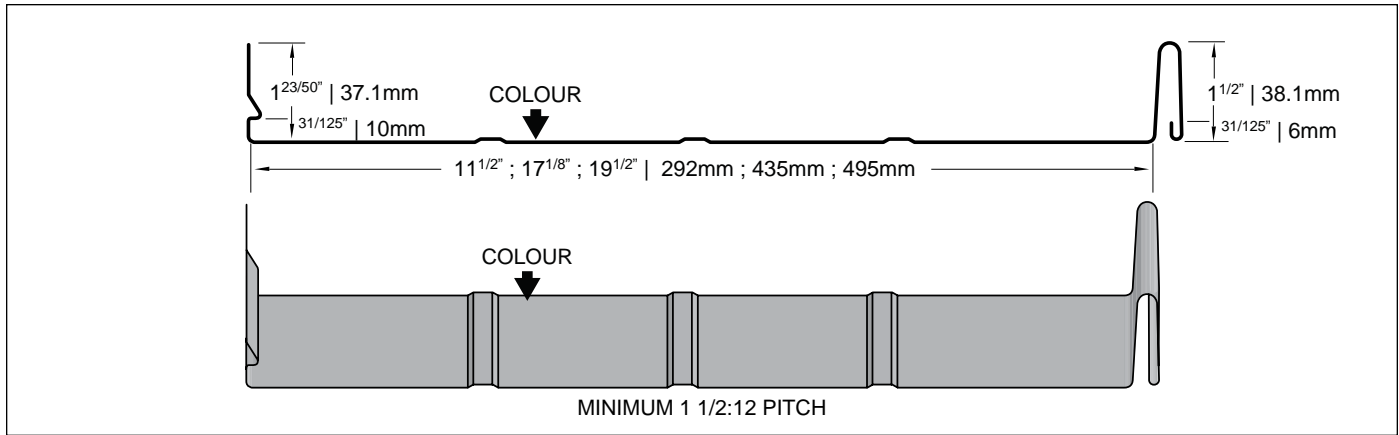
| Textured | Colour Code | Gauge(s) | | |
|-------------|-------------|----------|----|----|
| | | 26 | 24 | 22 |
| Jet Black | 6039 | • | | |
| Oxide Red | 6042 | • | | |
| Sepia Brown | 6041 | • | | |

| Exotic | Colour Code | Gauge(s) | | |
|--------------|-------------|----------|----|----|
| | | 26 | 24 | 22 |
| Copper Penny | 8029 | • | • | |
| Dark Zinc | 1430 | • | • | |
| Rustic Red | 1426 | • | • | |
| Silver Mist | 8047 | • | • | |

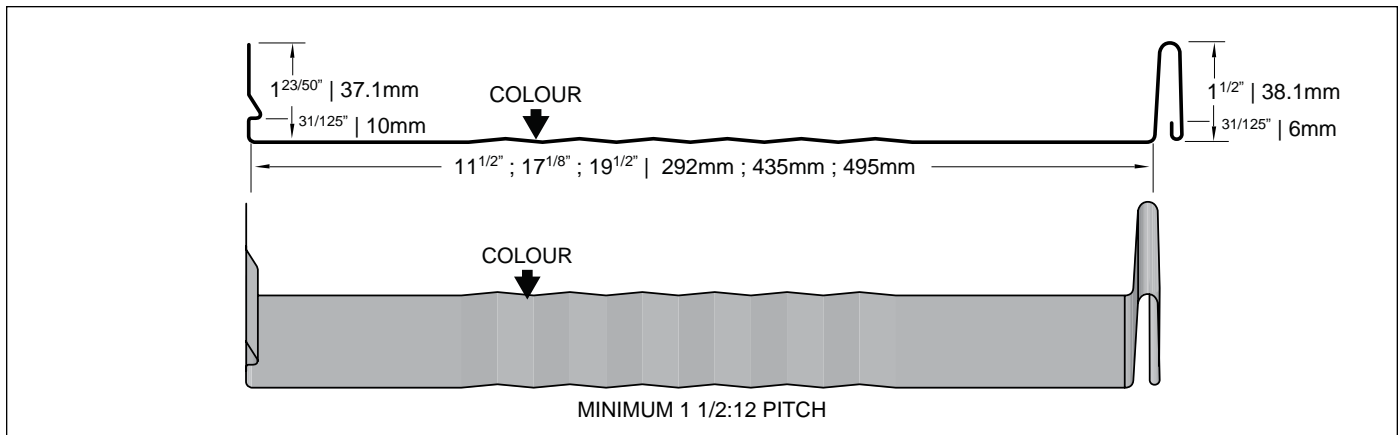
| Product Description | Grade(s) | lbs./Lin. Ft. | ADDITIONAL INFORMATION |
|---------------------------|----------|----------------------------|--|
| 26 Gauge Plain Galvanized | 33/50 | Inquire per gauge/coverage | <p>PLEASE CALL FOR PRICING</p> <p>Please contact your nearest location for availability and minimum/maximum lengths.</p> <p>Extended lead time may be required.</p> |
| 26 Gauge Plain Galvalume | 33/50 | Inquire per gauge/coverage | |
| 26 Gauge Coloured | 33/50 | Inquire per gauge/coverage | |
| 24 Gauge Plain Galvalume | 33 | Inquire per gauge/coverage | |
| 24 Gauge Coloured | 33 | Inquire per gauge/coverage | |
| 22 Gauge Galvanized | 33 | Inquire per gauge/coverage | |
| 22 Gauge Plain Galvalume | 33 | Inquire per gauge/coverage | |
| 22 Gauge Coloured | 33 | Inquire per gauge/coverage | |

Check your local Westman branch for colour availability • Prices subject to change without notice. • "Special" crating charges where applicable. Charges apply for Short Sheet production less than 36" • Fabrication charges where applicable.

Market Segments - Commercial



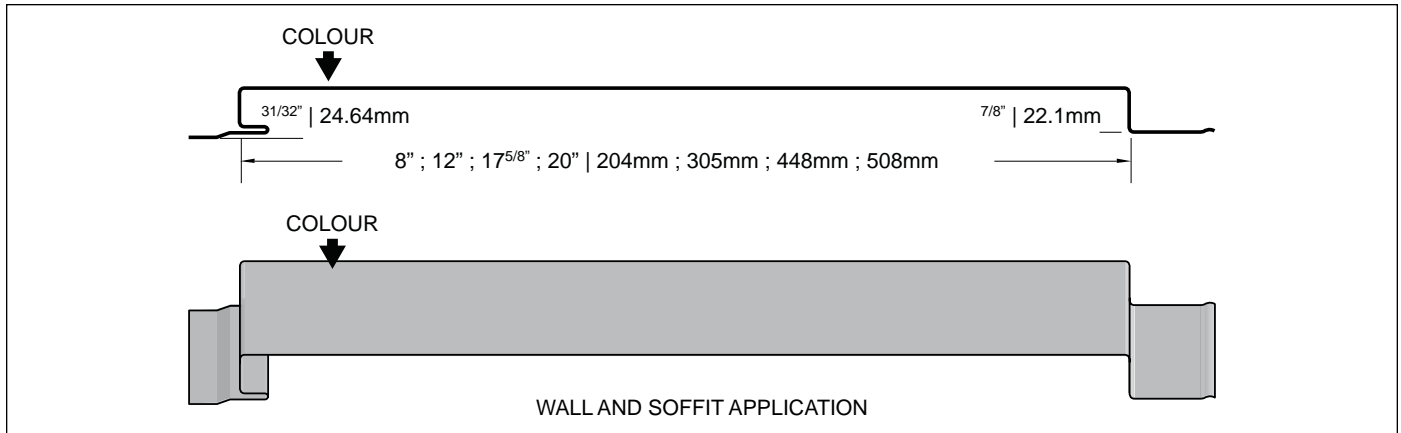
Available as a Fixed Clip System - no hand seaming/mechanical seaming required | Pencil ribs not shown to scale



Available as a Fixed Clip System - no hand seaming/mechanical seaming required | Pencil ribs not shown to scale

Check your local Westman branch for colour availability • Prices subject to change without notice. • "Special" crating charges where applicable.
Charges apply for Short Sheet production less than 36" • Fabrication charges where applicable.

Market Segments – Residential | Commercial



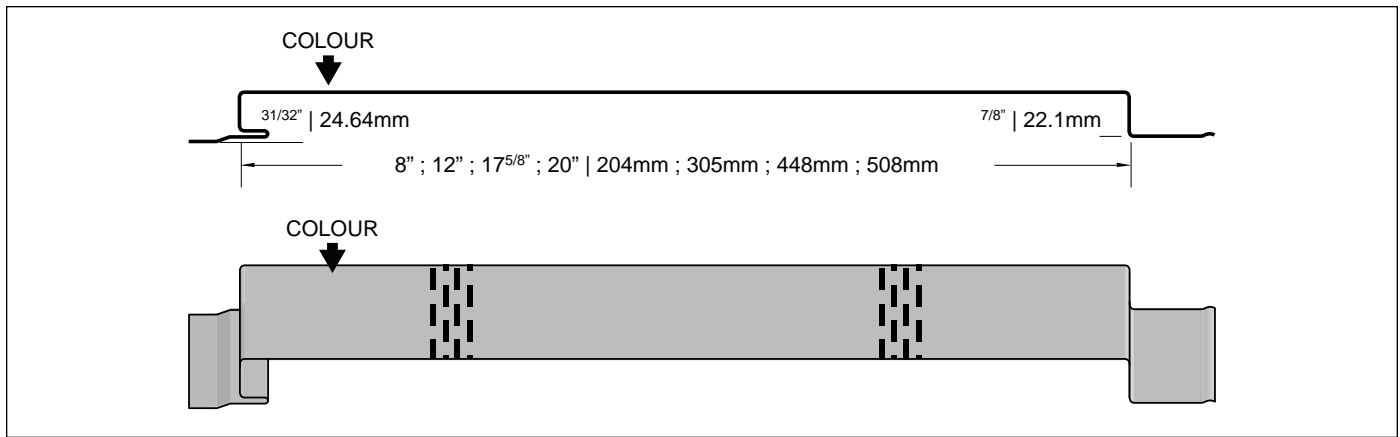
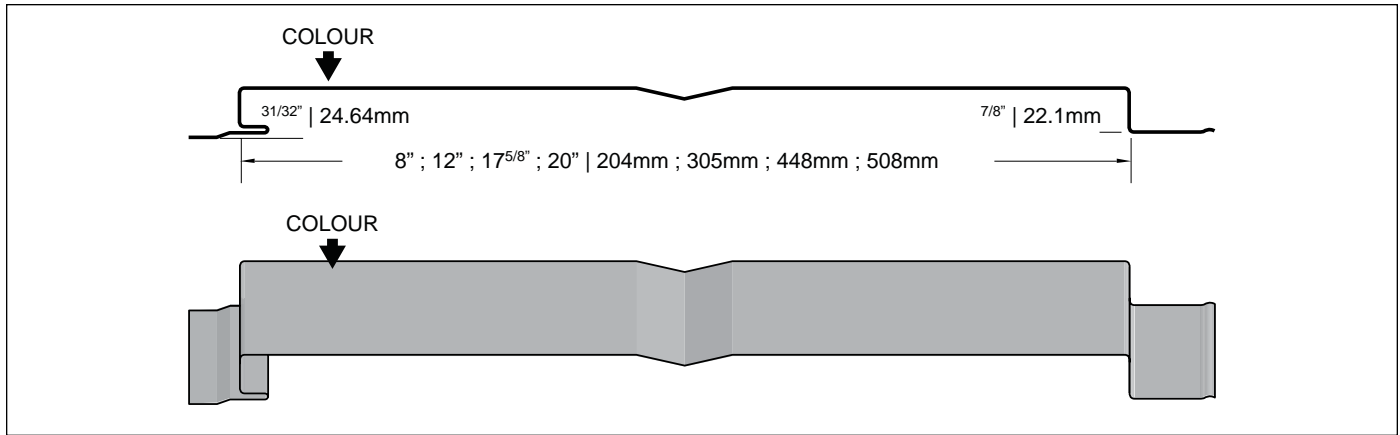
| Classic/Comm | Colour Code | Gauge(s) | | | Classic/Comm | Colour Code | Gauge(s) | | | Classic/Comm | Colour Code | Gauge(s) | | |
|-----------------|-------------|----------|----|--|------------------|-------------|----------|----|--|-------------------|-------------|----------|----|--|
| | | 24 | 22 | | | | 24 | 22 | | | | 24 | 22 | |
| Antique Linen | 8696 | • | | | Dark Red | 8250 | | | | Melcher's Green | 8307 | • | | |
| Black | 8262 | • | • | | Deep Water Green | 8684 | | | | Metro Brown | 8228 | • | | |
| Bone White | 8273 | • | • | | Desert Gold | 8404 | • | | | Pacific Turquoise | 8258 | | | |
| Bright Red | 8386 | | | | Galvalume | 2 | • | • | | Regent Grey | 8730 | • | • | |
| Bright White | 8783 | | | | Galvanized | 1 | | • | | Royal Blue | 8790 | | | |
| Buckskin | 9202 | • | | | Gold | 8276 | • | | | Sapphire Blue | 8261 | | | |
| Burgundy | 8873 | | | | Heron Blue | 8330 | • | • | | Slate Blue | 8260 | • | • | |
| Bronze | 8406 | • | | | Hickory Moss | 8368 | | | | Stone Grey | 8305 | | • | |
| Cambridge White | 8695 | | • | | Int'l Orange | 8234 | | | | Tan | 8315 | • | | |
| Charcoal | 8306 | • | • | | Ivory | 8802 | | | | Tile Red | 8269 | | | |
| Coffee | 8326 | • | | | Light Stone | 8367 | | | | Whistler Green | 8093 | | | |
| Dark Brown | 8229 | • | • | | Medium Green | 8329 | | | | White White | 8317 | • | • | |

| Textured | Colour Code | Gauge(s) | | | Textured | Colour Code | Gauge(s) | | | Exotic | Colour Code | Gauge(s) | | |
|-----------------|-------------|----------|----|--|-------------|-------------|----------|----|--|--------------|-------------|----------|----|--|
| | | 24 | 22 | | | | 24 | 22 | | | | 24 | 22 | |
| Chocolate Brown | 6034 | | | | Jet Black | 6039 | | | | Copper Penny | 8029 | • | | |
| Chrome Green | 6037 | | | | Oxide Red | 6042 | | | | Dark Zinc | 1430 | • | | |
| Graphite Grey | 6035 | | | | Sepia Brown | 6041 | | | | Rustic Red | 1426 | • | | |
| | | | | | | | | | | Silver Mist | 8047 | • | | |

| Product Description | Grade(s) | lbs./Lin. Ft. | Additional Information |
|---------------------------|----------|----------------------------|--|
| 24 Gauge Plain Galvalume | 33 | Inquire per gauge/coverage | <p>PLEASE CALL FOR PRICING Please contact your nearest location for availability and minimum/maximum lengths. Extended lead time may be required.</p> |
| 24 Gauge Coloured | 33 | Inquire per gauge/coverage | |
| 22 Gauge Plain Galvanized | 33 | Inquire per gauge/coverage | |
| 22 Gauge Plain Galvalume | 33 | Inquire per gauge/coverage | |
| 22 Gauge Coloured | 33 | Inquire per gauge/coverage | |

Check your local Westman branch for colour availability • Prices subject to change without notice. • "Special" crating charges where applicable. Charges apply for Short Sheet production less than 36" • Fabrication charges where applicable.

Market Segments - Residential | Commercial



Check your local Westman branch for colour availability • Prices subject to change without notice. • "Special" crating charges where applicable.
Charges apply for Short Sheet production less than 36" • Fabrication charges where applicable.

Colour Charts



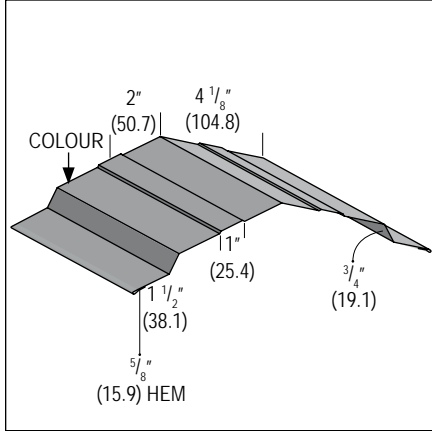
Standard Flashing





Product Description

#578 Ridge Cap



Ordering Colour Flashing

When ordering the colour variant of any WESTMAN STEEL flashing product, simply place the Colour Code before the SKU number code.

Example:

To order #578 Ridge/Hip Cap in Galvanized the full SKU would read: 1578

To order #578 Ridge/Hip Cap in Galvalume the full SKU would read: 2578

To order #578 Ridge/Hip Cap in Dark Red the full SKU would read: 8250578

| | SKU | Weight | Price |
|------------|------|--------|-------|
| Galvanized | 1578 | 7.5 | |
| Galvalume | 2578 | 7.2 | |
| Colour | 578 | 7.2 | |

| Classic Colours | Colour Code |
|------------------|-------------|
| Black | 8262 |
| Bone White | 8273 |
| Bright Red | 8386 |
| Bright White | 8783 |
| Buckskin | 9202 |
| Burgundy | 8011 |
| Charcoal | 8306 |
| Coffee | 8326 |
| Dark Red | 8250 |
| Deep Water Green | 8684 |

| Classic Colours | Colour Code |
|-------------------|-------------|
| Gold | 9276 |
| Heron Blue | 8330 |
| Hickory Moss | 9368 |
| Int'l Orange | 9234 |
| Ivory | 8802 |
| Light Stone | 9367 |
| Medium Green | 8329 |
| Melchers Green | 8307 |
| Metro Brown | 8228 |
| Pacific Turquoise | 9258 |

| Classic Colours | Colour Code |
|-----------------|-------------|
| Regent Grey | 8730 |
| Royal Blue | 8790 |
| Sapphire Blue | 9261 |
| Slate Blue | 8260 |
| Stone Grey | 8305 |
| Tan | 8315 |
| Tile Red | 8259 |
| Whistler Green | 8093 |
| White White | 8317 |

| Textured Colours | Colour Code |
|------------------|-------------|
| Chocolate Brown | 6034 |
| Chrome Green | 6037 |
| Graphite Grey | 6035 |

| Textured Colours | Colour Code |
|------------------|-------------|
| Jet Black | 6039 |
| Oxide Red | 6042 |
| Sepia Brown | 6041 |

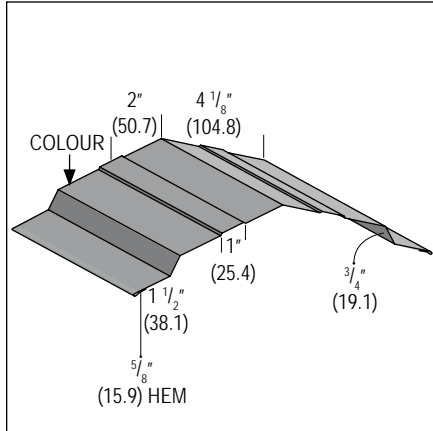
| Exotic Colours | Colour Code |
|----------------|-------------|
| Copper Penny | 8029 |
| Dark Zinc | 1430 |
| Rustic Red | 1426 |
| Silver Mist | 8047 |

Add 25% for 26 gauge. • Check your local Westman branch for upcharge on Textured and Exotic colours. • Check your local Westman branch for colour availability. "Special" crating charges where applicable. • Fabrication charges where applicable. • Prices subject to change without notice.



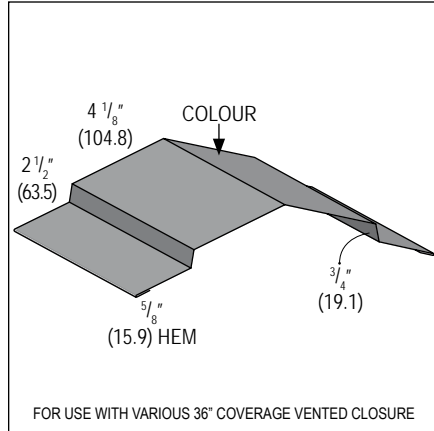


Product Description #578 Ridge Cap



| | SKU | Weight | Price |
|------------|------|--------|-------|
| Galvanized | 1578 | 7.5 | |
| Galvalume | 2578 | 7.2 | |
| Colour | 578 | 7.2 | |

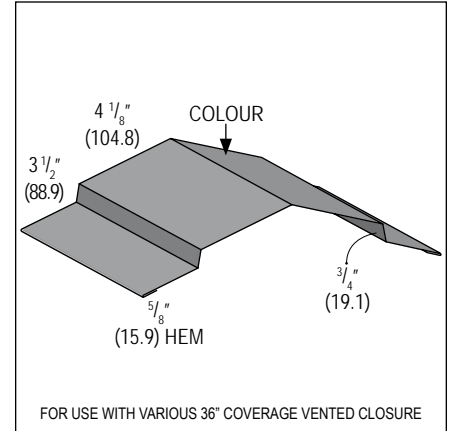
Product Description #579 Ridge Cap



FOR USE WITH VARIOUS 36" COVERAGE VENTED CLOSURE

| | SKU | Weight | Price |
|------------|------|--------|-------|
| Galvanized | 1579 | 8.5 | |
| Galvalume | 2579 | 8.2 | |
| Colour | 579 | 8.2 | |

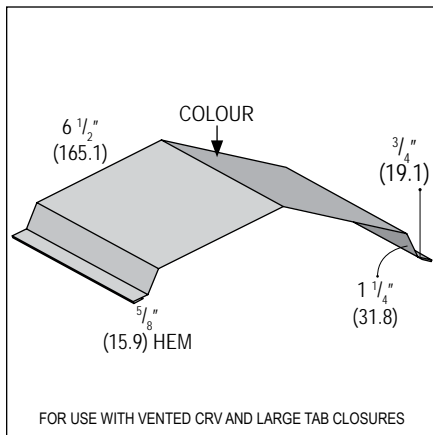
Product Description #880 Ridge Cap



FOR USE WITH VARIOUS 36" COVERAGE VENTED CLOSURE

| | SKU | Weight | Price |
|------------|------|--------|-------|
| Galvanized | 1580 | 9.5 | |
| Galvalume | 2580 | 9.2 | |
| Colour | 580 | 9.2 | |

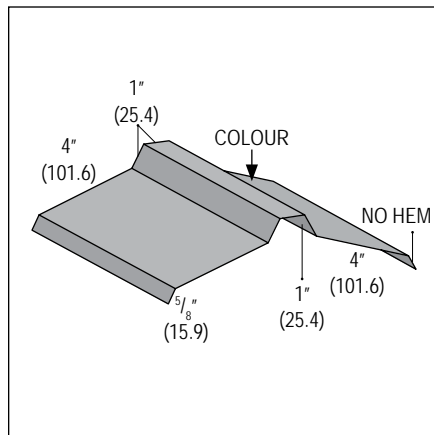
Product Description #683 Ridge Cap



FOR USE WITH VENTED CRV AND LARGE TAB CLOSURES

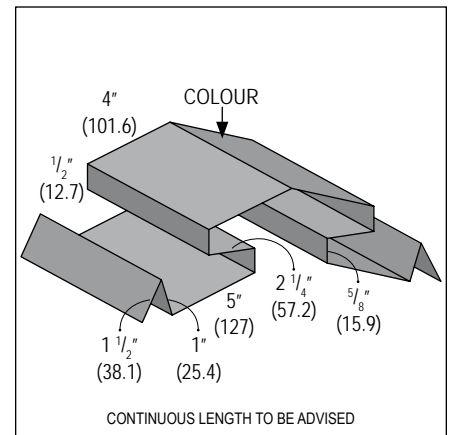
| | SKU | Weight | Price |
|------------|------|--------|-------|
| Galvanized | 1683 | 9.6 | |
| Galvalume | 2683 | 9.2 | |
| Colour | 683 | 9.2 | |

Product Description #915 Ridge Cap



| | SKU | Weight | Price |
|------------|------|--------|-------|
| Galvanized | 1915 | 6.5 | |
| Galvalume | 2915 | 6.2 | |
| Colour | 915 | 6.2 | |

Product Description #RVR Roofline Ridge



CONTINUOUS LENGTH TO BE ADVISED

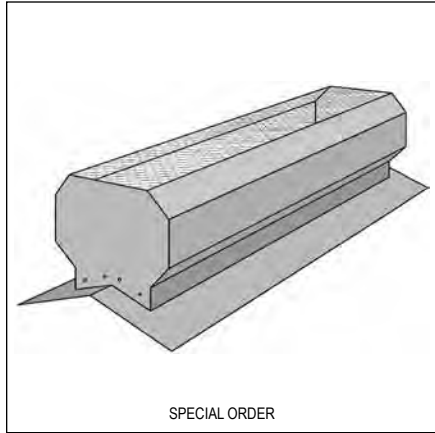
| | SKU | Weight | Price |
|------------|------|--------|-------|
| Galvanized | 1RVR | 18 | |
| Galvalume | 2RVR | 18 | |
| Colour | RVR | 18 | |

Add 25% for 26 gauge. • Check your local Westman branch for upcharge on Textured and Exotic colours. • Check your local Westman branch for colour availability. "Special" crating charges where applicable. • Fabrication charges where applicable. • Prices subject to change without notice.



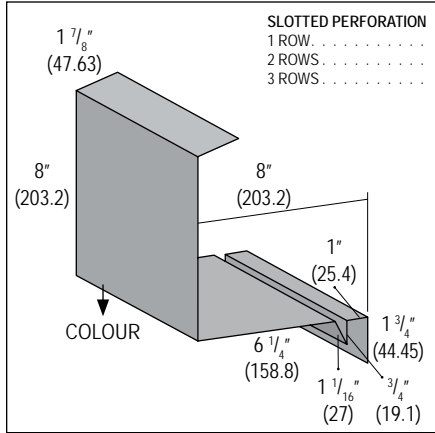


Product Description #LPV 48" Low Profile Ventilator



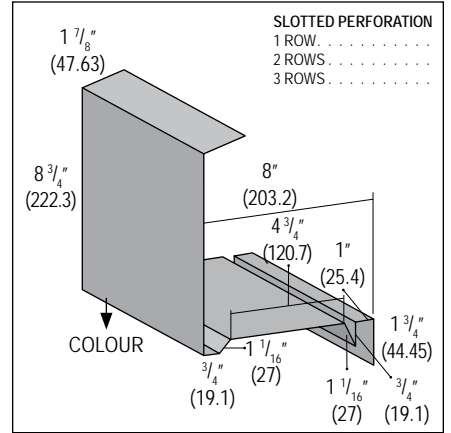
| | SKU | Weight | Price |
|------------|------|--------|-------|
| Galvanized | 1LPV | 17 | |
| Galvalume | 2LPV | 17 | |
| Colour | LPV | 17 | |

Product Description #801 Eave Soffit Fascia Cover



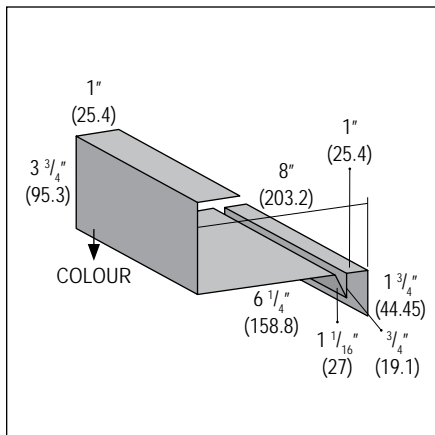
| | SKU | Weight | Price |
|------------|------|--------|-------|
| Galvanized | 1801 | 11 | |
| Galvalume | 2801 | 10.5 | |
| Colour | 801 | 10.5 | |

Product Description #802 Eave Soffit Fascia Drip



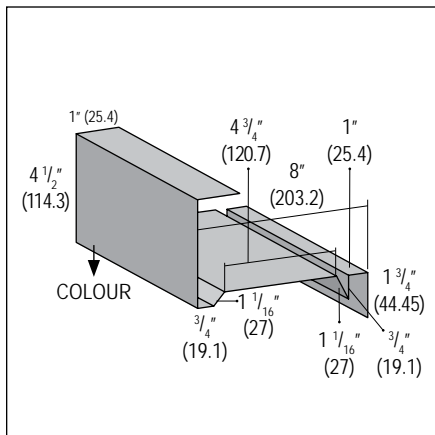
| | SKU | Weight | Price |
|------------|------|--------|-------|
| Galvanized | 1802 | 11.5 | |
| Galvalume | 2802 | 11 | |
| Colour | 802 | 11 | |

Product Description #803 Gable Soffit Fascia Cover



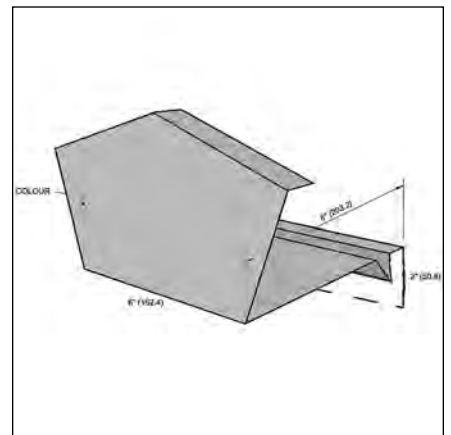
| | SKU | Weight | Price |
|------------|------|--------|-------|
| Galvanized | 1803 | 8.4 | |
| Galvalume | 2803 | 8 | |
| Colour | 803 | 8 | |

Product Description #804 Gable Soffit Fascia Drip



| | SKU | Weight | Price |
|------------|------|--------|-------|
| Galvanized | 1804 | 8.9 | |
| Galvalume | 2804 | 8.5 | |
| Colour | 804 | 8.5 | |

Product Description #PB1 Peak Box



| | SKU | Weight | Price |
|------------|------|--------|-------|
| Galvanized | 1PB1 | 1 | |
| Galvalume | 2PB1 | 1 | |
| Colour | PB1 | 1 | |

Add 25% for 26 gauge. • Check your local Westman branch for upcharge on Textured and Exotic colours. • Check your local Westman branch for colour availability. "Special" crating charges where applicable. • Fabrication charges where applicable. • Prices subject to change without notice.

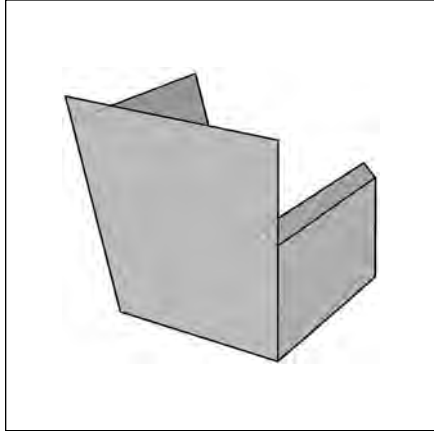


CAMBRIDGE, ON (855) 620-2720 | BRANDON/WINNIPEG, MB (800) 661-2823
SWIFT CURRENT/REGINA/SASKATOON, SK (800) 667-7468
AIRDRIE/EDMONTON, AB (800) 661-2826 | LANGLEY, BC (888) 937-8626



Product Description

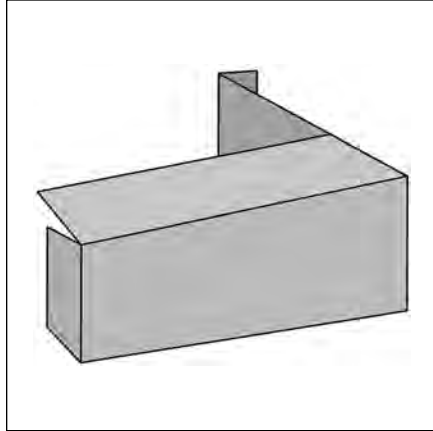
#CB1 Corner Box (Standard)



| | SKU | Weight | Price |
|------------|------|--------|-------|
| Galvanized | 1CB1 | 2.2 | |
| Galvalume | 2CB1 | 2.2 | |
| Colour | CB1 | 2.2 | |

Product Description

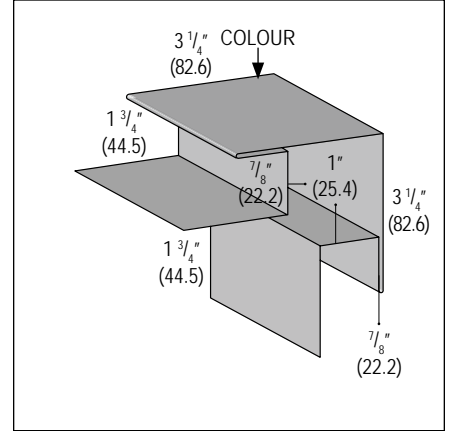
#CC1 Corner Cap (Standard)



| | SKU | Weight | Price |
|------------|------|--------|-------|
| Galvanized | 1CC1 | 1.2 | |
| Galvalume | 2CC1 | 1.2 | |
| Colour | CC1 | 1.2 | |

Product Description

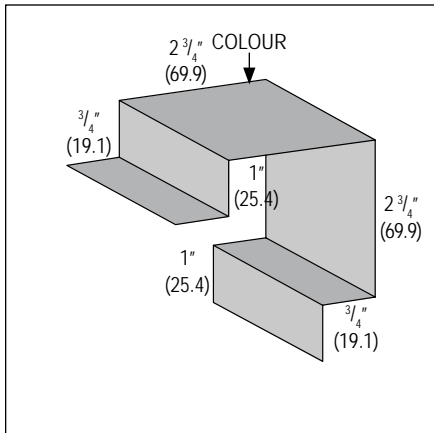
#826 Outside Corner



| | SKU | Weight | Price |
|------------|------|--------|-------|
| Galvanized | 1826 | 6.5 | |
| Galvalume | 2826 | 6.2 | |
| Colour | 826 | 6.2 | |

Product Description

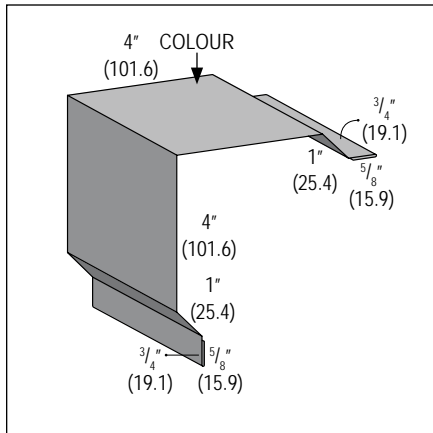
#417 Outside Corner



| | SKU | Weight | Price |
|------------|------|--------|-------|
| Galvanized | 1417 | 4.8 | |
| Galvalume | 2417 | 4.6 | |
| Colour | 417 | 4.6 | |

Product Description

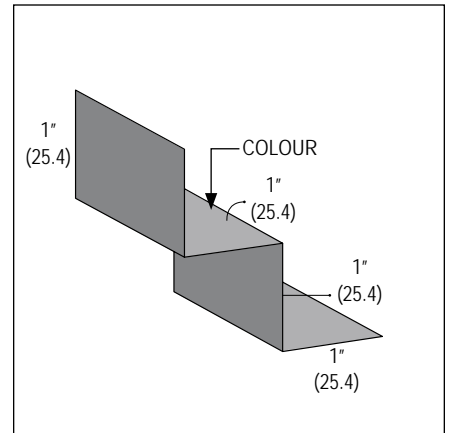
#425 Outside Corner



| | SKU | Weight | Price |
|------------|------|--------|-------|
| Galvanized | 1425 | 6.8 | |
| Galvalume | 2425 | 6.5 | |
| Colour | 425 | 6.5 | |

Product Description

#881 Inside Corner



| | SKU | Weight | Price |
|------------|------|--------|-------|
| Galvanized | 1881 | 2.1 | |
| Galvalume | 2881 | 2.1 | |
| Colour | 881 | 2.1 | |

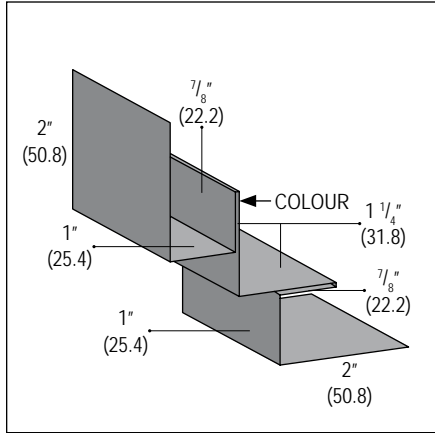
Add 25% for 26 gauge. • Check your local Westman branch for upcharge on Textured and Exotic colours. • Check your local Westman branch for colour availability. "Special" crating charges where applicable. • Fabrication charges where applicable. • Prices subject to change without notice.





Product Description

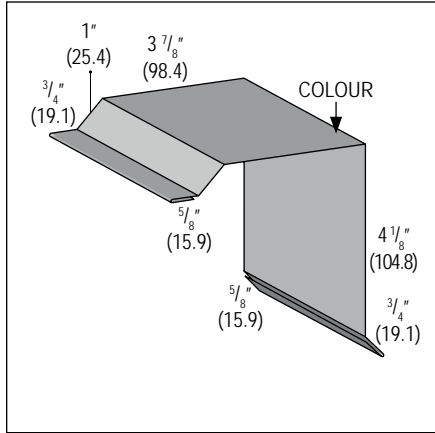
#970 Inside Corner



| | SKU | Weight | Price |
|------------|------|--------|-------|
| Galvanized | 1970 | 5.4 | |
| Galvalume | 2970 | 5.2 | |
| Colour | 970 | 5.2 | |

Product Description

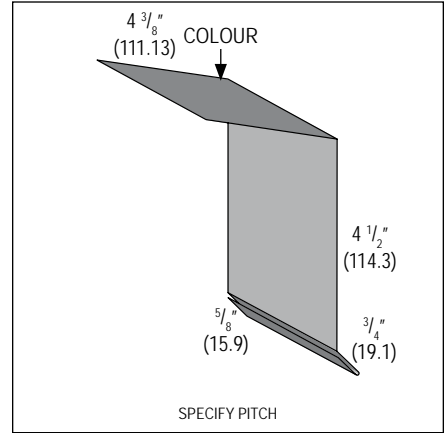
#421 Gable



| | SKU | Weight | Price |
|------------|------|--------|-------|
| Galvanized | 1421 | 6.6 | |
| Galvalume | 2421 | 6.3 | |
| Colour | 421 | 6.3 | |

Product Description

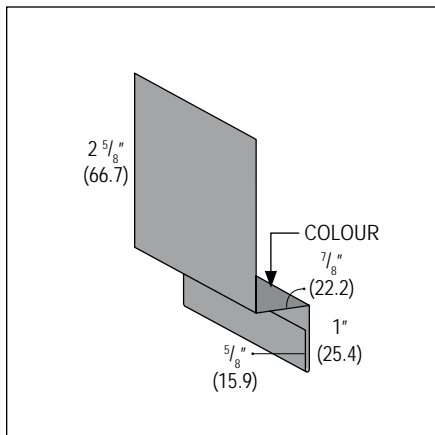
#609 Eave



| | SKU | Weight | Price |
|------------|------|--------|-------|
| Galvanized | 1609 | 4.8 | |
| Galvalume | 2609 | 4.6 | |
| Colour | 609 | 4.6 | |

Product Description

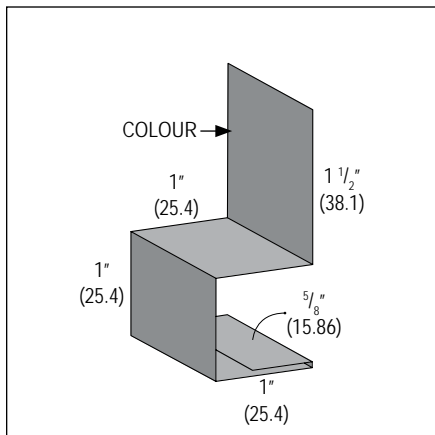
#121 Base



| | SKU | Weight | Price |
|------------|------|--------|-------|
| Galvanized | 1121 | 2.7 | |
| Galvalume | 2121 | 2.6 | |
| Colour | 121 | 2.6 | |

Product Description

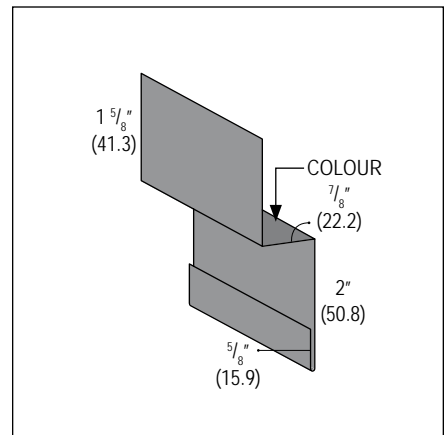
#960 Boxed Base



| | SKU | Weight | Price |
|------------|------|--------|-------|
| Galvanized | 1960 | 2.8 | |
| Galvalume | 2960 | 2.6 | |
| Colour | 960 | 2.6 | |

Product Description

#123 Gable Divider



| | SKU | Weight | Price |
|------------|------|--------|-------|
| Galvanized | 1123 | 2.7 | |
| Galvalume | 2123 | 2.6 | |
| Colour | 123 | 2.6 | |

Add 25% for 26 gauge. • Check your local Westman branch for upcharge on Textured and Exotic colours. • Check your local Westman branch for colour availability. "Special" crating charges where applicable. • Fabrication charges where applicable. • Prices subject to change without notice.

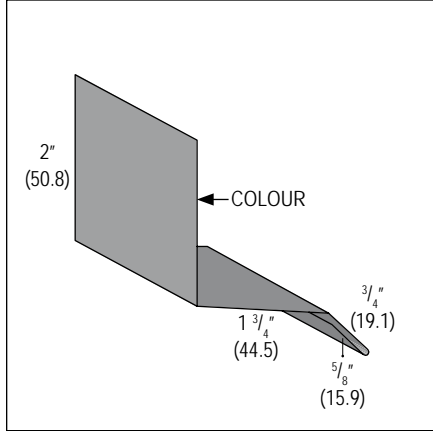


CAMBRIDGE, ON (855) 620-2720 | BRANDON/WINNIPEG, MB (800) 661-2823
SWIFT CURRENT/REGINA/SASKATOON, SK (800) 667-7468
AIRDRIE/EDMONTON, AB (800) 661-2826 | LANGLEY, BC (888) 937-8626



Product Description

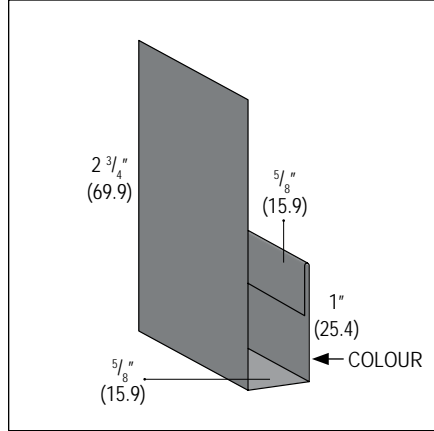
#113 Drip



| | SKU | Weight | Price |
|------------|------|--------|-------|
| Galvanized | 1113 | 2.7 | |
| Galvalume | 2113 | 2.6 | |
| Colour | 113 | 2.6 | |

Product Description

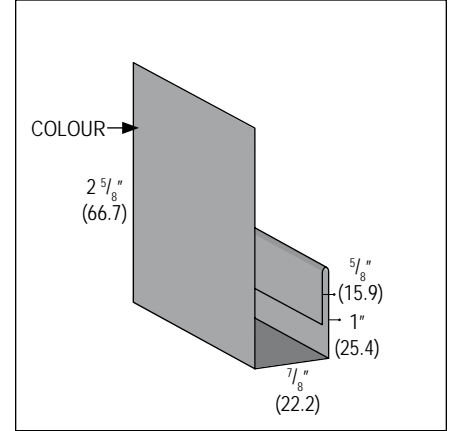
#250 J Trim



| | SKU | Weight | Price |
|------------|------|--------|-------|
| Galvanized | 1250 | 2.7 | |
| Galvalume | 250 | 2.5 | |
| Colour | 250 | 2.5 | |

Product Description

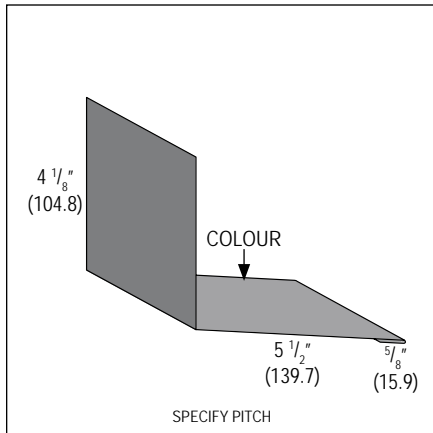
#252 J Trim



| | SKU | Weight | Price |
|------------|------|--------|-------|
| Galvanized | 1252 | 2.7 | |
| Galvalume | 2252 | 2.6 | |
| Colour | 252 | 2.6 | |

Product Description

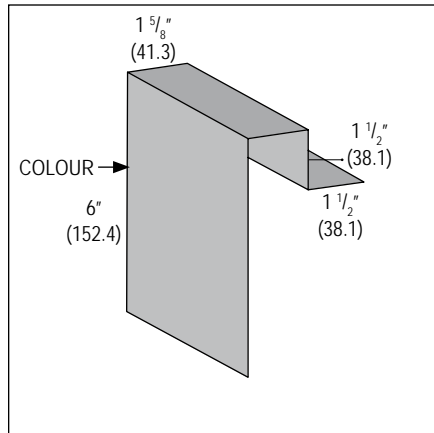
#603 Endwall



| | SKU | Weight | Price |
|------------|------|--------|-------|
| Galvanized | 1603 | 5.4 | |
| Galvalume | 2603 | 5.2 | |
| Colour | 603 | 5.2 | |

Product Description

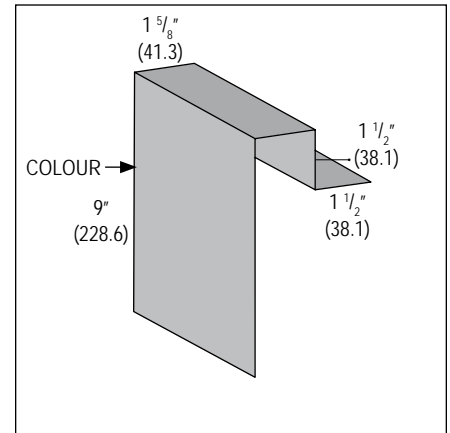
#850 Door Mould



| | SKU | Weight | Price |
|------------|------|--------|-------|
| Galvanized | 1850 | 5.7 | |
| Galvalume | 2850 | 5.4 | |
| Colour | 850 | 5.4 | |

Product Description

#851 Door Mould



| | SKU | Weight | Price |
|------------|------|--------|-------|
| Galvanized | 1851 | 7.5 | |
| Galvalume | 2851 | 7.2 | |
| Colour | 851 | 7.2 | |

Add 25% for 26 gauge. • Check your local Westman branch for upcharge on Textured and Exotic colours. • Check your local Westman branch for colour availability. "Special" crating charges where applicable. • Fabrication charges where applicable. • Prices subject to change without notice.

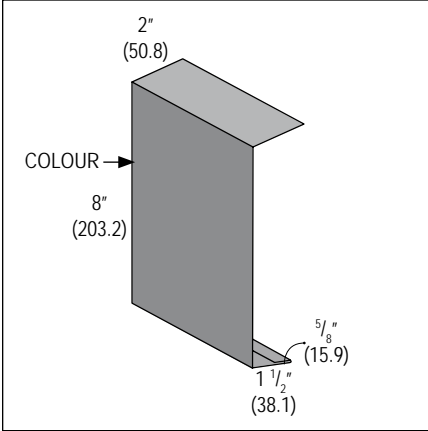


CAMBRIDGE, ON (855) 620-2720 | BRANDON/WINNIPEG, MB (800) 661-2823
SWIFT CURRENT/REGINA/SASKATOON, SK (800) 667-7468
AIRDRIE/EDMONTON, AB (800) 661-2826 | LANGLEY, BC (888) 937-8626



Product Description

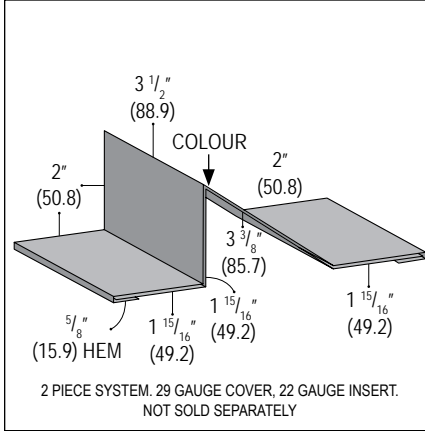
#870 Fascia Cap



| | SKU | Weight | Price |
|------------|------|--------|-------|
| Galvanized | 1870 | 6.4 | |
| Galvalume | 2870 | 6.2 | |
| Colour | 870 | 6.2 | |

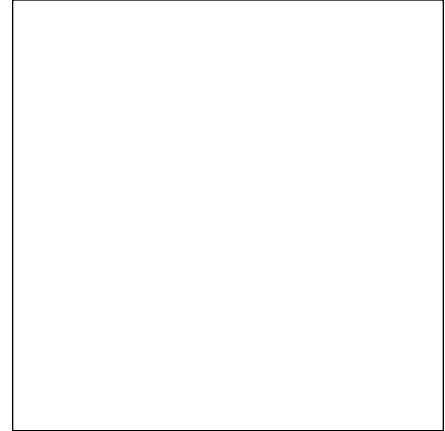
Product Description

#450 Custom Roof Trim 2 Piece



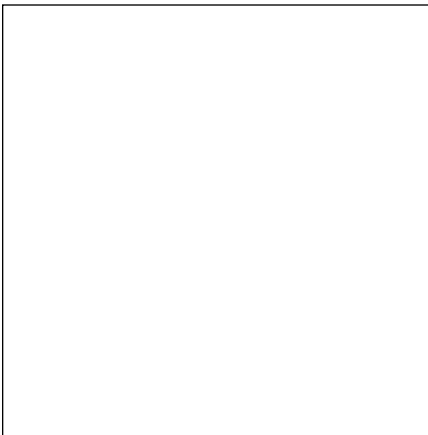
| | SKU | Weight | Price |
|------------|------|--------|-------|
| Galvanized | 1450 | 18.5 | |
| Galvalume | 2450 | 18.3 | |
| Colour | 450 | 18.3 | |

| Product Description | | | |
|---------------------|--|--|--|
| | | | |



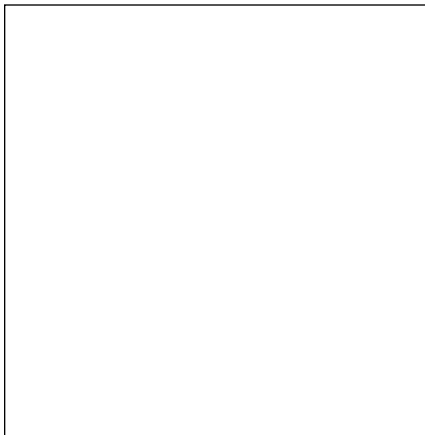
| | SKU | Weight | Price |
|--|-----|--------|-------|
| | | | |
| | | | |
| | | | |

| Product Description | | | |
|---------------------|--|--|--|
| | | | |



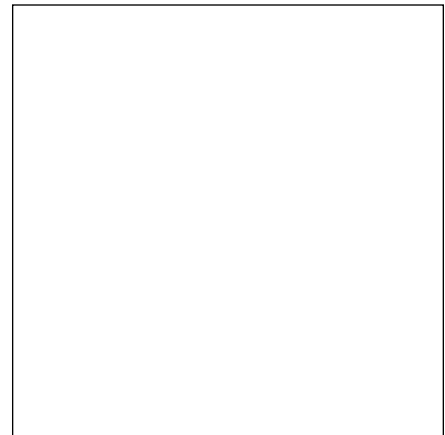
| | SKU | Weight | Price |
|--|-----|--------|-------|
| | | | |
| | | | |
| | | | |

| Product Description | | | |
|---------------------|--|--|--|
| | | | |



| | SKU | Weight | Price |
|--|-----|--------|-------|
| | | | |
| | | | |
| | | | |

| Product Description | | | |
|---------------------|--|--|--|
| | | | |



| | SKU | Weight | Price |
|--|-----|--------|-------|
| | | | |
| | | | |
| | | | |

Add 25% for 26 gauge. • Check your local Westman branch for upcharge on Textured and Exotic colours. • Check your local Westman branch for colour availability. "Special" crating charges where applicable. • Fabrication charges where applicable. • Prices subject to change without notice.



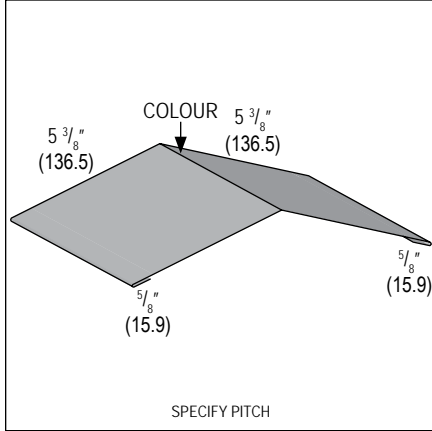
Residential Flashing





Product Description

#578 Ridge Cap



Ordering Colour Flashing

When ordering the colour variant of any WESTMAN STEEL flashing product, simply place the Colour Code before the SKU number code.

Example:

To order #578 Ridge/Hip Cap in Galvanized the full SKU would read: 1578

To order #578 Ridge/Hip Cap in Galvalume the full SKU would read: 2578

To order #578 Ridge/Hip Cap in Dark Red the full SKU would read: 8250578

| | SKU | Weight | Price |
|------------|------|--------|-------|
| Galvanized | 1578 | 7.5 | |
| Galvalume | 2578 | 7.2 | |
| Colour | 578 | 7.2 | |

| Classic Colours | Colour Code |
|------------------|-------------|
| Black | 8262 |
| Bone White | 8273 |
| Bright Red | 8386 |
| Bright White | 8783 |
| Buckskin | 9202 |
| Burgundy | 8011 |
| Charcoal | 8306 |
| Coffee | 8326 |
| Dark Red | 8250 |
| Deep Water Green | 8684 |

| Classic Colours | Colour Code |
|-------------------|-------------|
| Gold | 9276 |
| Heron Blue | 8330 |
| Hickory Moss | 9368 |
| Int'l Orange | 9234 |
| Ivory | 8802 |
| Light Stone | 9367 |
| Medium Green | 8329 |
| Melchers Green | 8307 |
| Metro Brown | 8228 |
| Pacific Turquoise | 9258 |

| Classic Colours | Colour Code |
|-----------------|-------------|
| Regent Grey | 8730 |
| Royal Blue | 8790 |
| Sapphire Blue | 9261 |
| Slate Blue | 8260 |
| Stone Grey | 8305 |
| Tan | 8315 |
| Tile Red | 8259 |
| Whistler Green | 8093 |
| White White | 8317 |

| Textured Colours | Colour Code |
|------------------|-------------|
| Chocolate Brown | 6034 |
| Chrome Green | 6037 |
| Graphite Grey | 6035 |

| Textured Colours | Colour Code |
|------------------|-------------|
| Jet Black | 6039 |
| Oxide Red | 6042 |
| Sepia Brown | 6041 |

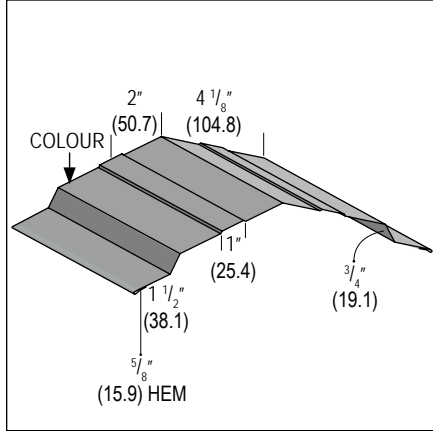
| Exotic Colours | Colour Code |
|----------------|-------------|
| Copper Penny | 8029 |
| Dark Zinc | 1430 |
| Rustic Red | 1426 |
| Silver Mist | 8047 |

Add 25% for 26 gauge. • Check your local Westman branch for upcharge on Textured and Exotic colours. • Check your local Westman branch for colour availability. "Special" crating charges where applicable. • Fabrication charges where applicable. • Prices subject to change without notice.



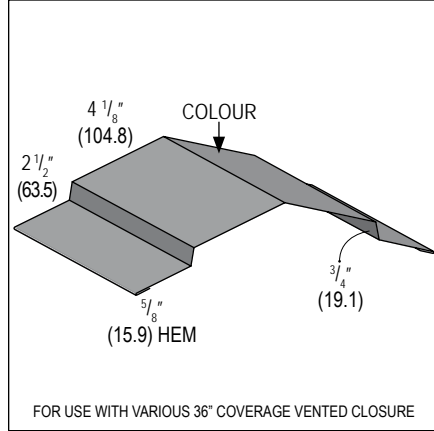


Product Description #578 Ridge Cap



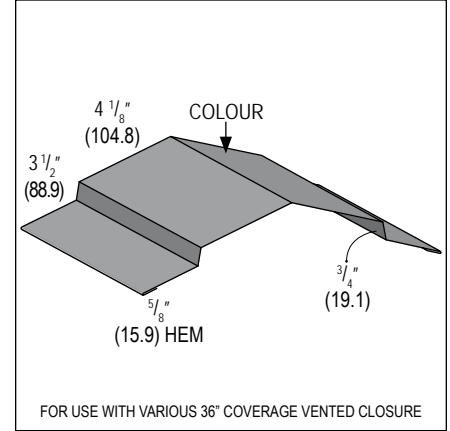
| | SKU | Weight | Price |
|------------|------|--------|-------|
| Galvanized | 1578 | 7.5 | |
| Galvalume | 2578 | 7.2 | |
| Colour | 578 | 7.2 | |

Product Description #579 Ridge Cap



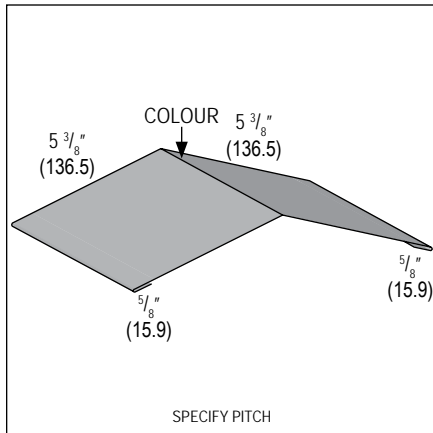
| | SKU | Weight | Price |
|------------|------|--------|-------|
| Galvanized | 1579 | 8.5 | |
| Galvalume | 2579 | 8.2 | |
| Colour | 579 | 8.2 | |

Product Description #880 Ridge Cap



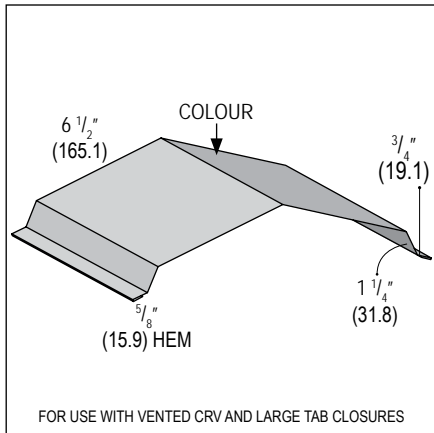
| | SKU | Weight | Price |
|------------|------|--------|-------|
| Galvanized | 1580 | 9.5 | |
| Galvalume | 2580 | 9.2 | |
| Colour | 580 | 9.2 | |

Product Description #584 Ridge/Hip



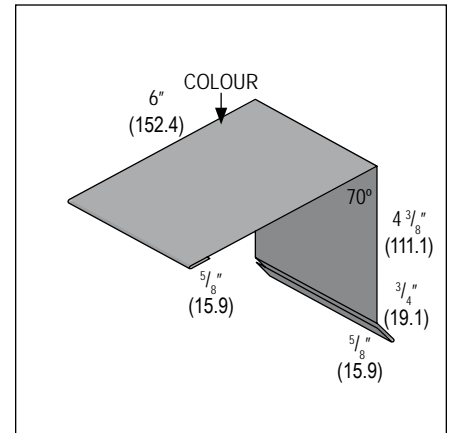
| | SKU | Weight | Price |
|------------|------|--------|-------|
| Galvanized | 1584 | 6.4 | |
| Galvalume | 2584 | 6.1 | |
| Colour | 584 | 6.1 | |

Product Description #683 Ridge Cap



| | SKU | Weight | Price |
|------------|------|--------|-------|
| Galvanized | 1683 | 7.2 | |
| Galvalume | 2683 | 6.9 | |
| Colour | 683 | 6.9 | |

Product Description #864 High Side Peak Cap



| | SKU | Weight | Price |
|------------|------|--------|-------|
| Galvanized | 1864 | 6.6 | |
| Galvalume | 2864 | 6.3 | |
| Colour | 864 | 6.3 | |

Add 25% for 26 gauge. • Check your local Westman branch for upcharge on Textured and Exotic colours. • Check your local Westman branch for colour availability. "Special" crating charges where applicable. • Fabrication charges where applicable. • Prices subject to change without notice.

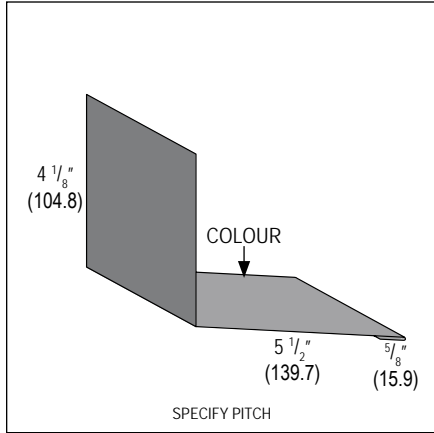


CAMBRIDGE, ON (855) 620-2720 | BRANDON/WINNIPEG, MB (800) 661-2823
SWIFT CURRENT/REGINA/SASKATOON, SK (800) 667-7468
AIRDRIE/EDMONTON, AB (800) 661-2826 | LANGLEY, BC (888) 937-8626



Product Description

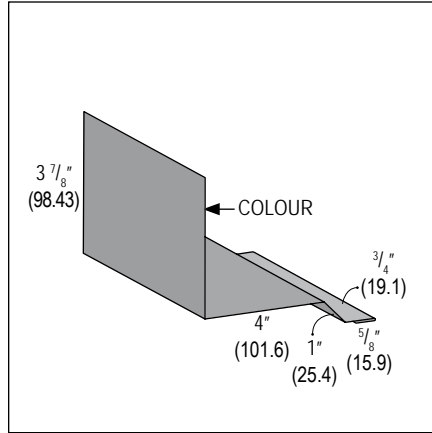
#603 Endwall



| | SKU | Weight | Price |
|------------|------|--------|-------|
| Galvanized | 1603 | 5.4 | |
| Galvalume | 2603 | 5.2 | |
| Colour | 603 | 5.2 | |

Product Description

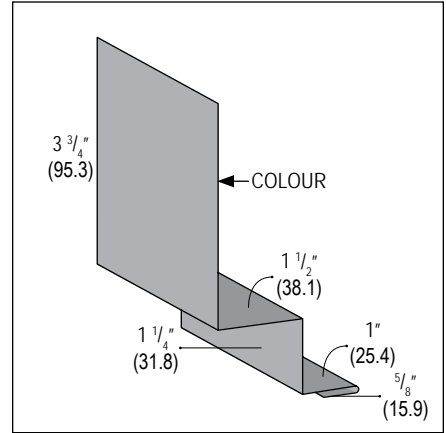
#605 Sidewall



| | SKU | Weight | Price |
|------------|------|--------|-------|
| Galvanized | 1605 | 5.4 | |
| Galvalume | 2605 | 5.2 | |
| Colour | 605 | 5.2 | |

Product Description

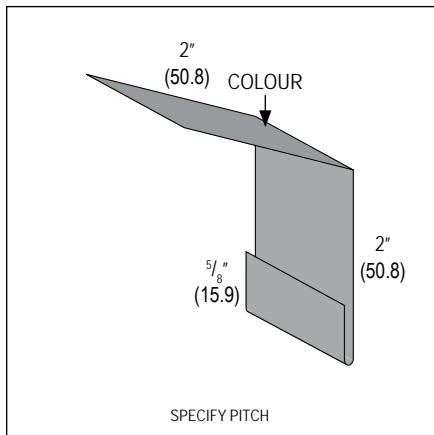
#842 Universal Sidewall



| | SKU | Weight | Price |
|------------|------|--------|-------|
| Galvanized | 1842 | 4.3 | |
| Galvalume | 2842 | 4.1 | |
| Colour | 842 | 4.1 | |

Product Description

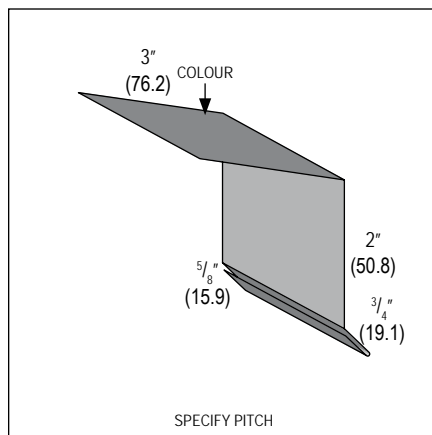
#608 Eave



| | SKU | Weight | Price |
|------------|------|--------|-------|
| Galvanized | 1608 | 2.5 | |
| Galvalume | 2608 | 2.4 | |
| Colour | 608 | 2.4 | |

Product Description

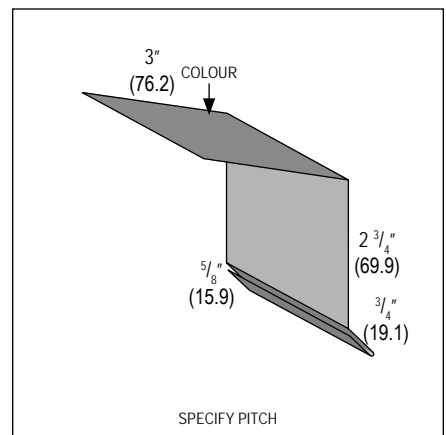
#805 Eave Drip Edge



| | SKU | Weight | Price |
|------------|------|--------|-------|
| Galvanized | 1805 | 3.4 | |
| Galvalume | 2805 | 3.2 | |
| Colour | 805 | 3.2 | |

Product Description

#806 Eave Drip Edge



| | SKU | Weight | Price |
|------------|------|--------|-------|
| Galvanized | 1806 | 3.8 | |
| Galvalume | 2806 | 3.6 | |
| Colour | 806 | 3.6 | |

Add 25% for 26 gauge. • Check your local Westman branch for upcharge on Textured and Exotic colours. • Check your local Westman branch for colour availability. "Special" crating charges where applicable. • Fabrication charges where applicable. • Prices subject to change without notice.

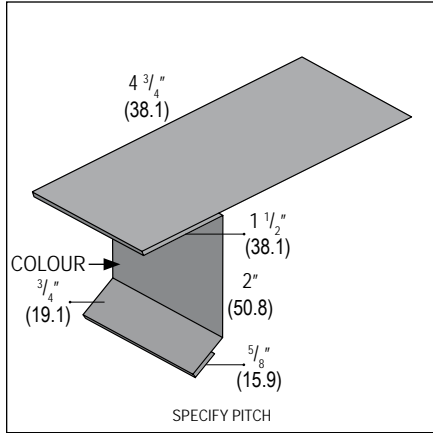


CAMBRIDGE, ON (855) 620-2720 | BRANDON/WINNIPEG, MB (800) 661-2823
SWIFT CURRENT/REGINA/SASKATOON, SK (800) 667-7468
AIRDRIE/EDMONTON, AB (800) 661-2826 | LANGLEY, BC (888) 937-8626



Product Description

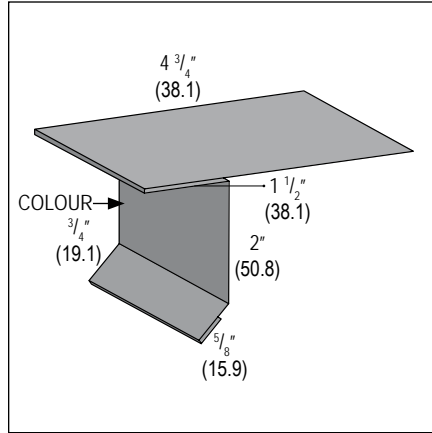
#934 Concealed Eave Starter



| | SKU | Weight | Price |
|------------|------|--------|-------|
| Galvanized | 1934 | 5.8 | |
| Galvalume | 2934 | 5.6 | |
| Colour | 934 | 5.6 | |

Product Description

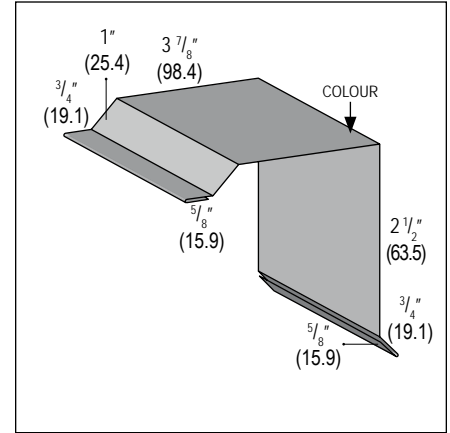
#935 Concealed Gable Starter



| | SKU | Weight | Price |
|------------|------|--------|-------|
| Galvanized | 1935 | 5.8 | |
| Galvalume | 2935 | 5.6 | |
| Colour | 935 | 5.6 | |

Product Description

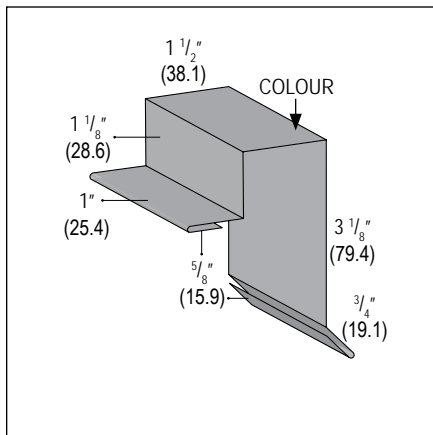
#422 Gable



| | SKU | Weight | Price |
|------------|------|--------|-------|
| Galvanized | 1422 | 5.4 | |
| Galvalume | 2422 | 5.2 | |
| Colour | 422 | 5.2 | |

Product Description

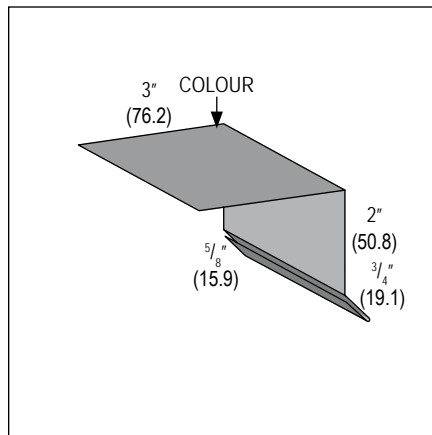
#845 Gable



| | SKU | Weight | Price |
|------------|------|--------|-------|
| Galvanized | 1845 | 4.7 | |
| Galvalume | 2845 | 4.5 | |
| Colour | 845 | 4.5 | |

Product Description

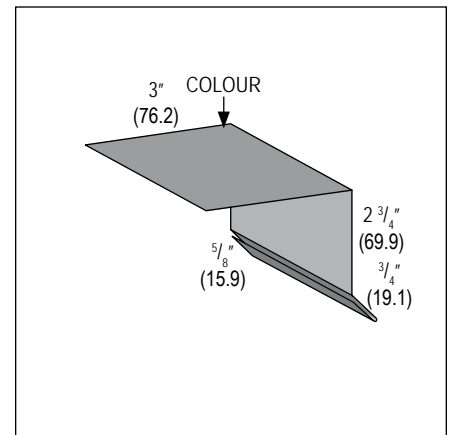
#821 Gable Drip Edge



| | SKU | Weight | Price |
|------------|------|--------|-------|
| Galvanized | 1821 | 3.4 | |
| Galvalume | 2821 | 3.2 | |
| Colour | 821 | 3.2 | |

Product Description

#822 Gable Drip Edge



| | SKU | Weight | Price |
|------------|------|--------|-------|
| Galvanized | 1822 | 3.8 | |
| Galvalume | 2822 | 3.6 | |
| Colour | 822 | 3.6 | |

Add 25% for 26 gauge. • Check your local Westman branch for upcharge on Textured and Exotic colours. • Check your local Westman branch for colour availability. "Special" crating charges where applicable. • Fabrication charges where applicable. • Prices subject to change without notice.

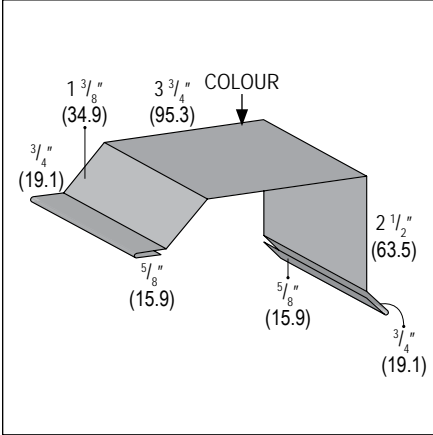


CAMBRIDGE, ON (855) 620-2720 | BRANDON/WINNIPEG, MB (800) 661-2823
SWIFT CURRENT/REGINA/SASKATOON, SK (800) 667-7468
AIRDRIE/EDMONTON, AB (800) 661-2826 | LANGLEY, BC (888) 937-8626



Product Description

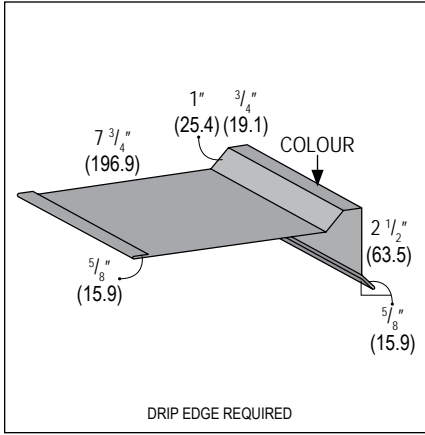
#426S Gable



| | SKU | Weight | Price |
|------------|-------|--------|-------|
| Galvanized | 1426S | 5.5 | |
| Galvalume | 2426S | 5.3 | |
| Colour | 426S | 5.3 | |

Product Description

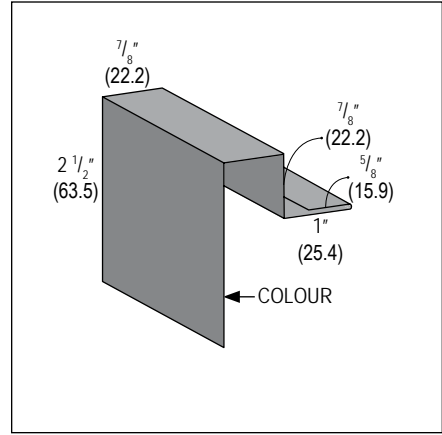
#135 Prow Gable



| | SKU | Weight | Price |
|------------|------|--------|-------|
| Galvanized | 1135 | 7.5 | |
| Galvalume | 2135 | 7.2 | |
| Colour | 135 | 7.2 | |

Product Description

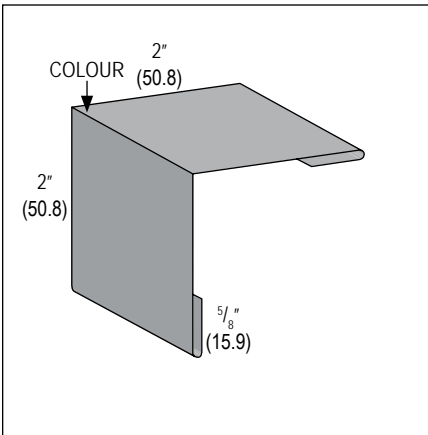
#480 Inside Corner



| | SKU | Weight | Price |
|------------|------|--------|-------|
| Galvanized | 1480 | 3.2 | |
| Galvalume | 2480 | 3 | |
| Colour | 480 | 3 | |

Product Description

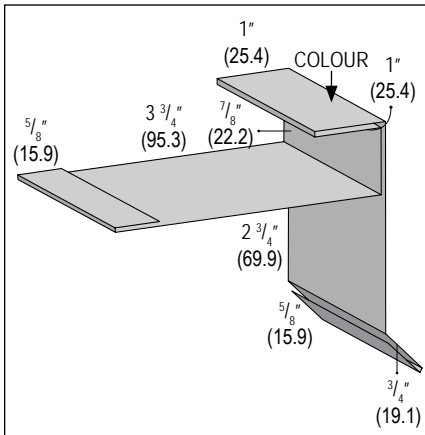
#496 Outside Corner



| | SKU | Weight | Price |
|------------|------|--------|-------|
| Galvanized | 1496 | 2.8 | |
| Galvalume | 2496 | 2.7 | |
| Colour | 496 | 2.7 | |

Product Description

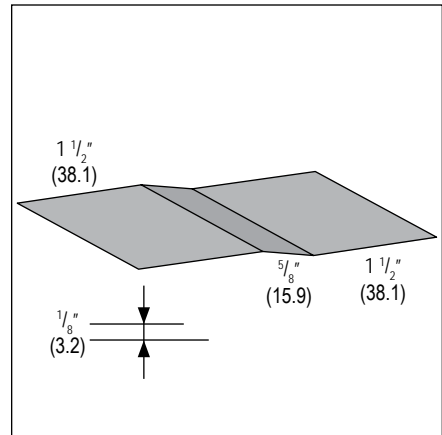
#954 F Gable



| | SKU | Weight | Price |
|------------|------|--------|-------|
| Galvanized | 1954 | 6.0 | |
| Galvalume | 2954 | 5.8 | |
| Colour | 954 | 5.8 | |

Product Description

#841 Offset Cleat - 24 Gauge ONLY



| | SKU | Weight | Price |
|------------|------|--------|-------|
| Galvanized | | | |
| Galvalume | 2841 | 3.7 | |
| Colour | | | |

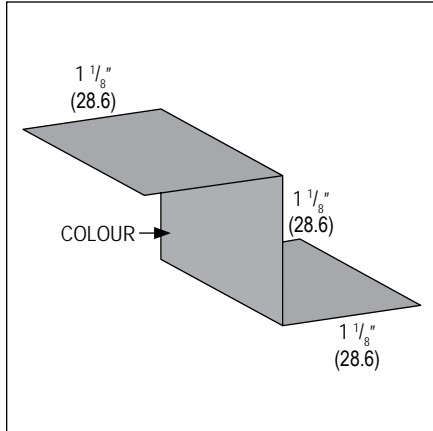
Add 25% for 26 gauge. • Check your local Westman branch for upcharge on Textured and Exotic colours. • Check your local Westman branch for colour availability. "Special" crating charges where applicable. • Fabrication charges where applicable. • Prices subject to change without notice.



CAMBRIDGE, ON (855) 620-2720 | BRANDON/WINNIPEG, MB (800) 661-2823
SWIFT CURRENT/REGINA/SASKATOON, SK (800) 667-7468
AIRDRIE/EDMONTON, AB (800) 661-2826 | LANGLEY, BC (888) 937-8626

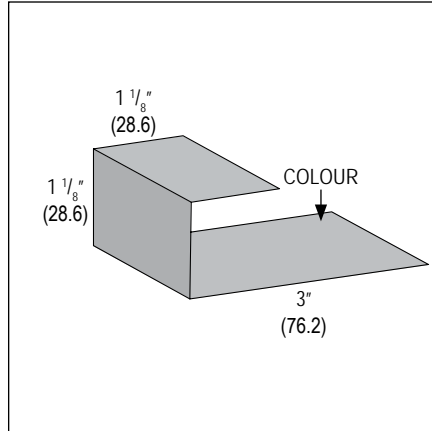


Product Description #843 Z Metal



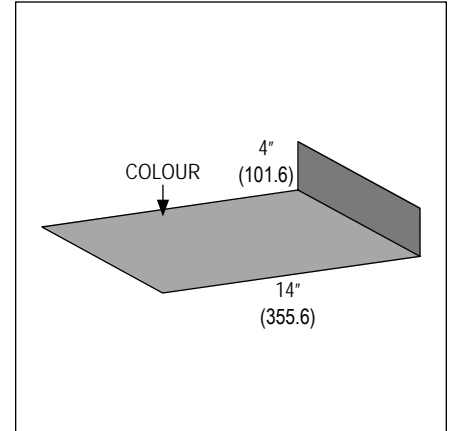
| | SKU | Weight | Price |
|------------|------|--------|-------|
| Galvanized | 1843 | 1.8 | |
| Galvalume | 2843 | 1.7 | |
| Colour | 843 | 1.7 | |

Product Description #844 Panel Cap



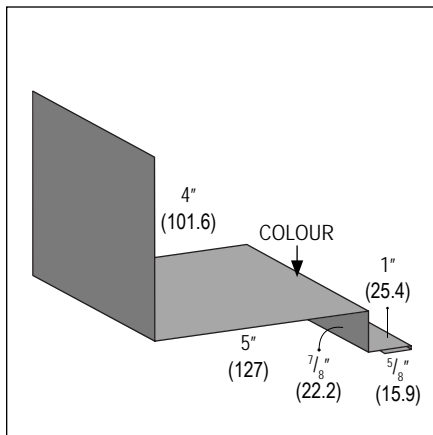
| | SKU | Weight | Price |
|------------|------|--------|-------|
| Galvanized | 1844 | 2.8 | |
| Galvalume | 2844 | 2.7 | |
| Colour | 844 | 2.7 | |

Product Description #930 Curb Top Flashing



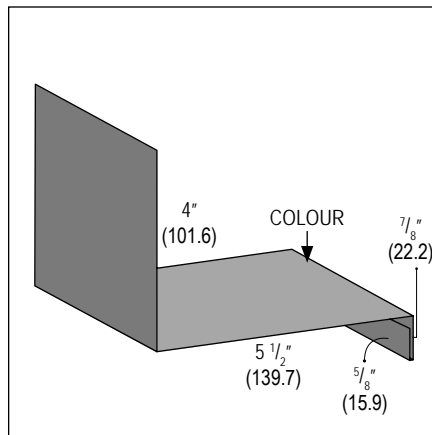
| | SKU | Weight | Price |
|------------|------|--------|-------|
| Galvanized | 1930 | 8.8 | |
| Galvalume | 2930 | 8.4 | |
| Colour | 930 | 8.4 | |

Product Description #931 Curb Side Flashing



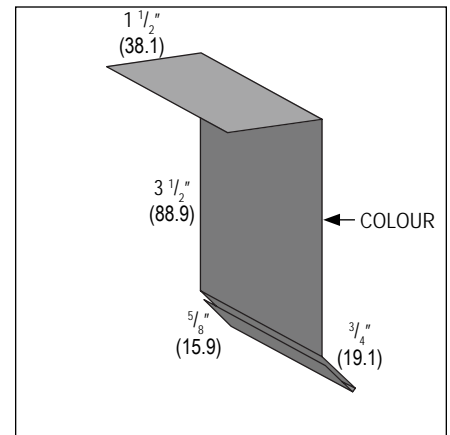
| | SKU | Weight | Price |
|------------|------|--------|-------|
| Galvanized | 1931 | 6.1 | |
| Galvalume | 2931 | 5.8 | |
| Colour | 931 | 5.8 | |

Product Description #932 Curb Bottom Flashing



| | SKU | Weight | Price |
|------------|------|--------|-------|
| Galvanized | 1932 | 5.8 | |
| Galvalume | 2932 | 5.6 | |
| Colour | 932 | 5.6 | |

Product Description #933 Curb Counter Flashing



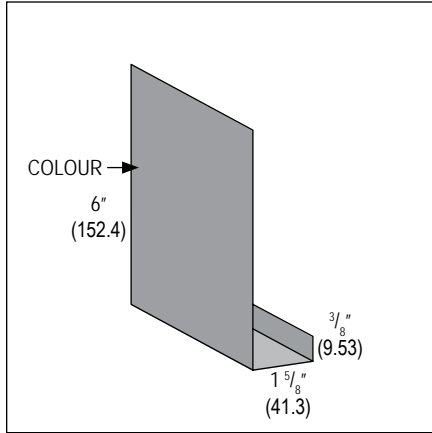
| | SKU | Weight | Price |
|------------|------|--------|-------|
| Galvanized | 1933 | 3.4 | |
| Galvalume | 2933 | 3.2 | |
| Colour | 933 | 3.2 | |

Add 25% for 26 gauge. • Check your local Westman branch for upcharge on Textured and Exotic colours. • Check your local Westman branch for colour availability. "Special" crating charges where applicable. • Fabrication charges where applicable. • Prices subject to change without notice.



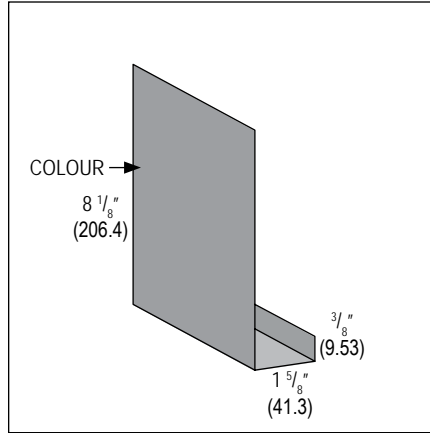
CAMBRIDGE, ON (855) 620-2720 | BRANDON/WINNIPEG, MB (800) 661-2823
SWIFT CURRENT/REGINA/SASKATOON, SK (800) 667-7468
AIRDRIE/EDMONTON, AB (800) 661-2826 | LANGLEY, BC (888) 937-8626

Product Description
#610 Fascia



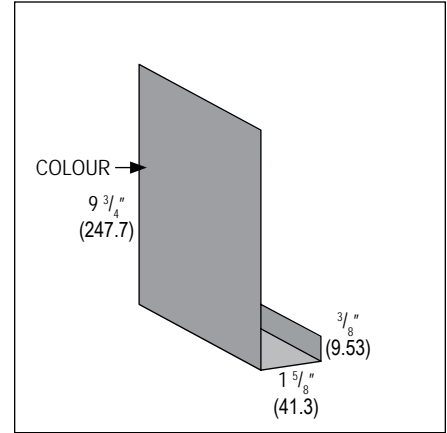
| | SKU | Weight | Price |
|------------|------|--------|-------|
| Galvanized | 1610 | 4.4 | |
| Galvalume | 2610 | 4.2 | |
| Colour | 610 | 4.2 | |

Product Description
#611 Fascia



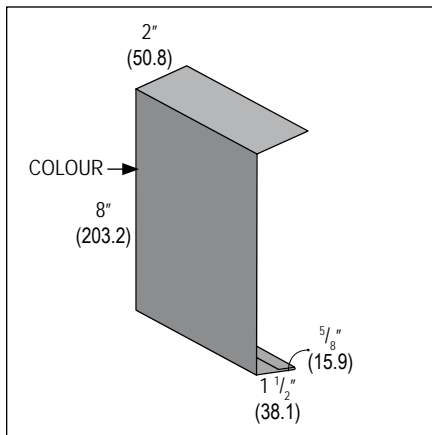
| | SKU | Weight | Price |
|------------|------|--------|-------|
| Galvanized | 1611 | 5.5 | |
| Galvalume | 2611 | 5.3 | |
| Colour | 611 | 5.3 | |

Product Description
#612 Fascia



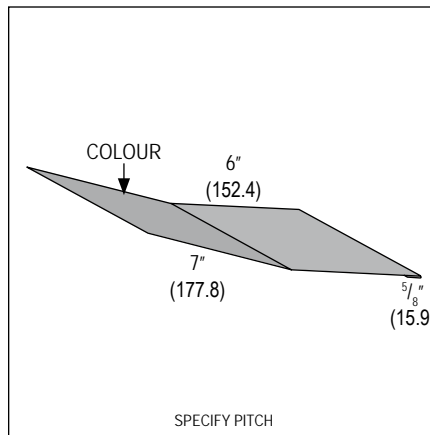
| | SKU | Weight | Price |
|------------|------|--------|-------|
| Galvanized | 1612 | 6.4 | |
| Galvalume | 2612 | 6.1 | |
| Colour | 612 | 6.1 | |

Product Description
#870 Fascia Cap



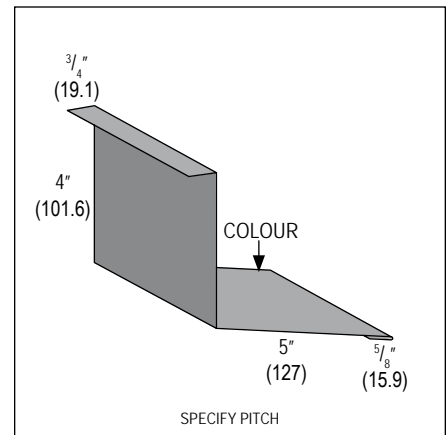
| | SKU | Weight | Price |
|------------|------|--------|-------|
| Galvanized | 1870 | 6.4 | |
| Galvalume | 2870 | 6.2 | |
| Colour | 870 | 6.2 | |

Product Description
#606 Transition



| | SKU | Weight | Price |
|------------|------|--------|-------|
| Galvanized | 1606 | 7.2 | |
| Galvalume | 2606 | 6.9 | |
| Colour | 606 | 6.9 | |

Product Description
#854 Chimney Flash

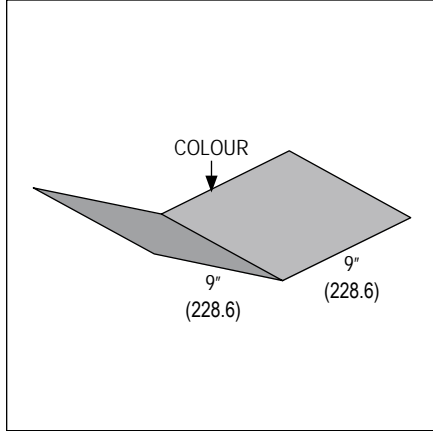


| | SKU | Weight | Price |
|------------|------|--------|-------|
| Galvanized | 1854 | 5.6 | |
| Galvalume | 2854 | 5.3 | |
| Colour | 854 | 5.3 | |

Add 25% for 26 gauge. • Check your local Westman branch for upcharge on Textured and Exotic colours. • Check your local Westman branch for colour availability. "Special" crating charges where applicable. • Fabrication charges where applicable. • Prices subject to change without notice.

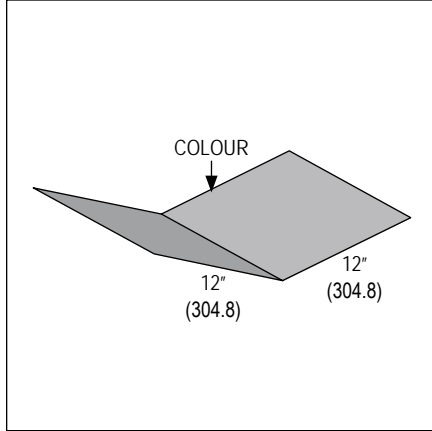


Product Description #890 Valley



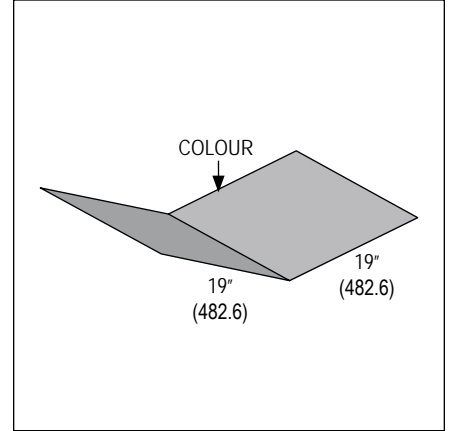
| | SKU | Weight | Price |
|------------|------|--------|-------|
| Galvanized | 1890 | 9.6 | |
| Galvalume | 2890 | 9.2 | |
| Colour | 890 | 9.2 | |

Product Description #891 Valley



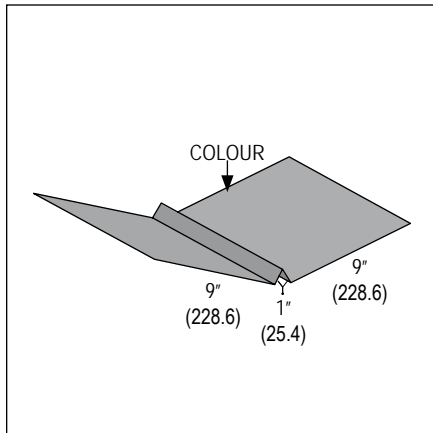
| | SKU | Weight | Price |
|------------|------|--------|-------|
| Galvanized | 1891 | 12.7 | |
| Galvalume | 2891 | 12.2 | |
| Colour | 891 | 12.2 | |

Product Description #892 Valley



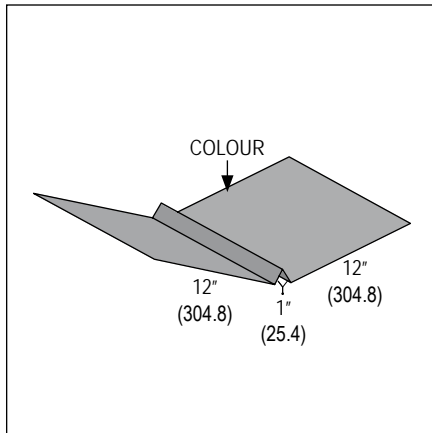
| | SKU | Weight | Price |
|------------|------|--------|-------|
| Galvanized | 1892 | 20.2 | |
| Galvalume | 2892 | 19.3 | |
| Colour | 892 | 19.3 | |

Product Description #587 W Valley



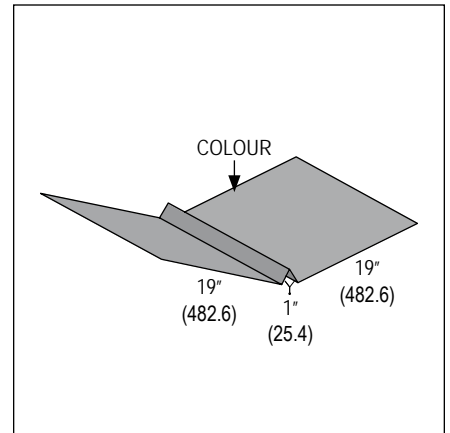
| | SKU | Weight | Price |
|------------|------|--------|-------|
| Galvanized | 1587 | 10.6 | |
| Galvalume | 2587 | 10.2 | |
| Colour | 587 | 10.2 | |

Product Description #588 W Valley



| | SKU | Weight | Price |
|------------|------|--------|-------|
| Galvanized | 1588 | 13.8 | |
| Galvalume | 2588 | 13.2 | |
| Colour | 588 | 13.2 | |

Product Description #589 W Valley



| | SKU | Weight | Price |
|------------|------|--------|-------|
| Galvanized | 1589 | 21.3 | |
| Galvalume | 2589 | 20.3 | |
| Colour | 589 | 20.3 | |

Add 25% for 26 gauge. • Check your local Westman branch for upcharge on Textured and Exotic colours. • Check your local Westman branch for colour availability. "Special" crating charges where applicable. • Fabrication charges where applicable. • Prices subject to change without notice.



CAMBRIDGE, ON (855) 620-2720 | BRANDON/WINNIPEG, MB (800) 661-2823
SWIFT CURRENT/REGINA/SASKATOON, SK (800) 667-7468
AIRDRIE/EDMONTON, AB (800) 661-2826 | LANGLEY, BC (888) 937-8626

Custom Flashing



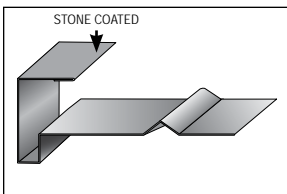
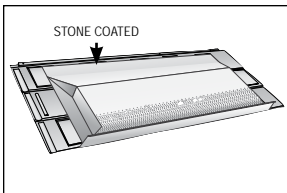
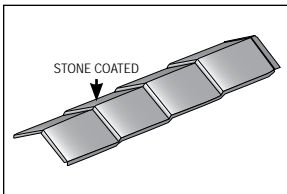
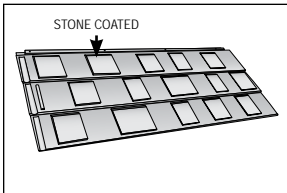
Stone Coated Steel Roofing





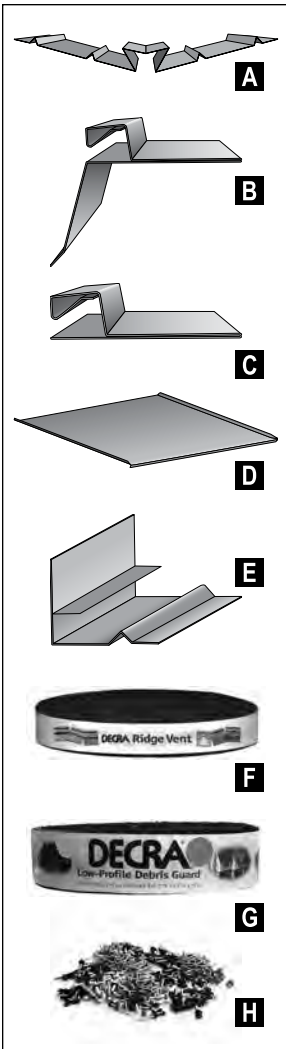
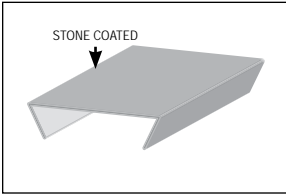
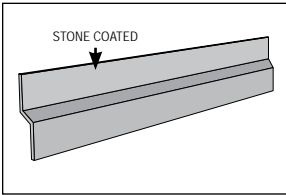
WESTMAN Steel's DECRA Shingle product line has the rich bold appearance of a heavy weight architectural shingle at a fraction of the weight. With its increased edge thickness and deep distinctive shadow lines, DECRA Shingle provides greater dimensionality and a robust appearance. DECRA Shingle is pressure formed aluminum-zinc alloy coated steel with an acrylic bonded stone chip finish. The stone coating resists fading and UV penetration.

Minimum Pitch: 4:12 Panel Size: 21" x 52"
Installed Exposure: 19 3/4" x 49"
Panels per Square: 15 (Installed Weight 125lbs/sq)
Installed Panel Coverage: 6.72 sqft



| Product Description | Colour | SKU | Price Per Each |
|---|------------------|-----------|----------------|
| DECRA Shingle | Canyon Brown | CB900208 | |
| | Fawn Grey | FG900220 | |
| | Midnight Eclipse | ME900235 | |
| | Vintage Slate | VS900210 | |
| | Woodland Green | WG900230 | |
| Hip and Ridge (25 3/4" Exposed) | Canyon Brown | CB2400208 | |
| | Fawn Grey | FG2400220 | |
| | Midnight Eclipse | ME2400235 | |
| | Vintage Slate | VS2400210 | |
| | Woodland Green | WG2400230 | |
| Panel Vent (64" - Net Free Area) | Canyon Brown | 96414001 | |
| | Fawn Grey | 96414003 | |
| | Midnight Eclipse | 96414005 | |
| | Vintage Slate | 96414002 | |
| | Woodland Green | 96414004 | |
| Rake/Gable 6' 6" | Canyon Brown | CB3923060 | |
| | Fawn Grey | FG3923040 | |
| | Midnight Eclipse | ME3923035 | |
| | Vintage Slate | VS3923020 | |
| | Woodland Green | WG3923030 | |

Check your local Westman branch for availability, extended lead times may be required.
Prices subject to change without notice. • "Special" crating charges where applicable.



| Product Description | Colour | SKU | Price Per Each |
|---|------------------|---------------|----------------|
| Stone Coated Z Bar 6' 6" | Canyon Brown | 96380001 | |
| | Fawn Grey | 96380003 | |
| | Midnight Eclipse | 96380005 | |
| | Vintage Slate | 96380002 | |
| | Woodland Green | 96380004 | |
| Valley Cap 6' 6" | Canyon Brown | CB14398001 | |
| | Fawn Grey | FG14398003 | |
| | Midnight Eclipse | ME14398005 | |
| | Vintage Slate | VS14398002 | |
| | Woodland Green | WG14398004 | |
| A Valley 6' 6" | Zincalume | 25927000 | |
| B Starter Clip/Drip Edge 10' | Zincalume | 25903000 | |
| C Short Course Clip 10' | Zincalume | 3930201 | |
| D Underpan | Zincalume | 3906950 | |
| E Roof to Wall Channel 10' | Zincalume | 3930030 | |
| F Ridge Vent 40' | | 90531000 | |
| G Low Profile Debris Guard 100' | | 90531055 | |
| H Screws (500pc. per Bag) | Galvanized | WSC00011015NW | |
| Touch Up Kit <small>IMAGE NOT SHOWN</small> | Canyon Brown | CB3930280 | |
| | Fawn Grey | FG3930220 | |
| | Midnight Eclipse | ME3909435 | |
| | Vintage Slate | VS3930210 | |
| | Woodland Green | WG3909430 | |

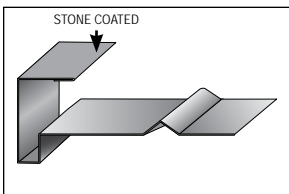
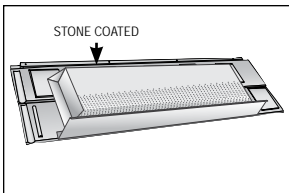
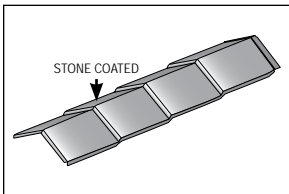
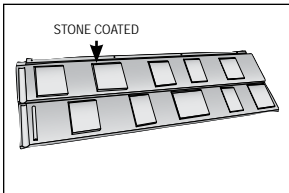
Check your local Westman branch for availability, extended lead times may be required.
Prices subject to change without notice. • "Special" crating charges where applicable.



With its thick cut edges and deep distinctive shadow lines, Westman's DECRA Shingle XD provides greater dimensionality and a robust appearance. This profile adds wonderful appeal to traditionally styled homes and is ideal to those who prefer the look of heavy-cut wood shingles.

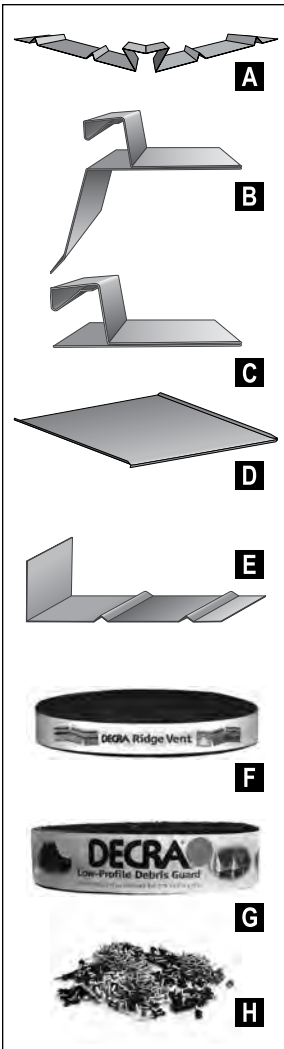
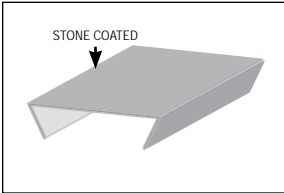
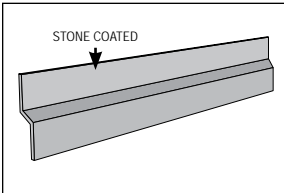
DECRA Shingle XD is pressure formed aluminum-zinc alloy coated steel with an acrylic bonded stone chip finish. The stone coating resists fading and UV penetration.

Minimum Pitch: 4:12 Panel Size: 14 1/8" x 52 3/8"
Installed Exposure: 12 1/4" x 49 1/2"
Panels per Square: 23.8 (Installed Weight 150lbs/sq)
Installed Panel Coverage: 4.21 sqft



| Product Description | Colour | SKU | Price Per Each |
|----------------------------------|---------------------|------------|----------------|
| DECRA Shingle XD | Classic Cobblestone | CC93275003 | |
| | Old Hickory | OH93275001 | |
| | Natural Slate | NS93275002 | |
| Hip and Ridge (25 3/4" Exposed) | Classic Cobblestone | CC94230003 | |
| | Old Hickory | OH94230001 | |
| | Natural Slate | NS94230002 | |
| Panel Vent (64" - Net Free Area) | Classic Cobblestone | 96416003 | |
| | Old Hickory | 96416001 | |
| | Natural Slate | 96416002 | |
| Rake/Gable 6' 6" | Classic Cobblestone | CC94392003 | |
| | Old Hickory | OH94392001 | |
| | Natural Slate | NS94392002 | |

Check your local Westman branch for availability, extended lead times may be required.
Prices subject to change without notice. • "Special" crating charges where applicable.



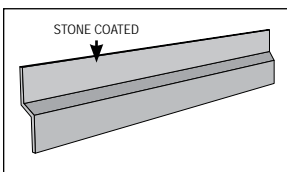
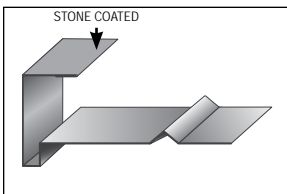
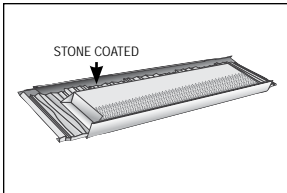
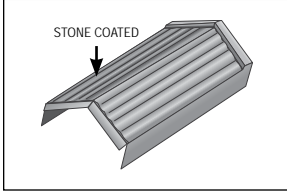
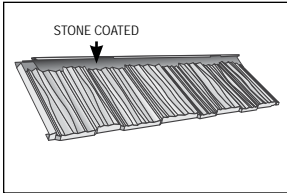
| Product Description | Colour | SKU | Price Per Each |
|---|---------------------|---------------|----------------|
| Stone Coated Z Bar 6' 6" | Classic Cobblestone | 94380903 | |
| | Old Hickory | 94380901 | |
| | Natural Slate | 94380902 | |
| Valley Cap 6' 6" | Classic Cobblestone | CC94397003 | |
| | Old Hickory | OH94397001 | |
| | Natural Slate | NS94397002 | |
| A Valley 6' 6" | Zincalume | 20222000 | |
| B XD Starter Clip/Drip Edge 6' 6" | Zincalume | 20222300 | |
| C XD Short Course Clip 6' 6" | Zincalume | 25905000 | |
| D Underpan | Zincalume | 3906950 | |
| E XD Channel 6' 6" | Zincalume | 202224000 | |
| F Ridge Vent 40' | | 90531000 | |
| G Low Profile Debris Guard 100' | | 90531055 | |
| H Screws (500pc. per Bag) | Galvanized | WSC00011015NW | |
| Touch Up Kit <small>IMAGE NOT SHOWN</small> | Classic Cobblestone | CC90020903 | |
| | Old Hickory | OH90020901 | |
| | Natural Slate | NS90020902 | |

Check your local Westman branch for availability, extended lead times may be required.
Prices subject to change without notice. • "Special" crating charges where applicable.



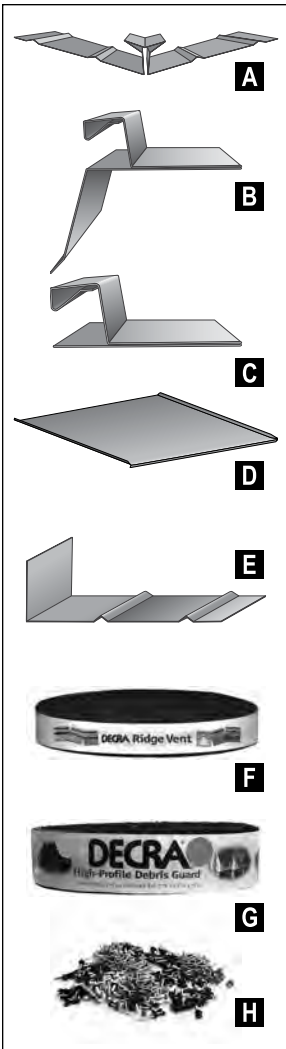
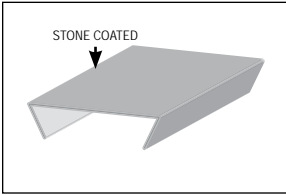
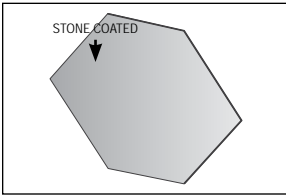
WESTMAN Steel's DECRA Shake XD emulates the classic beauty and architectural detail of thick, rustic, hand split wood shakes. The DECRA Shake XD does not require special tools and has only 23.4 pieces per square. This product installs quickly directly to the deck using a unique hidden fastening system. This product is available in multiple light and dark hues to create two unique dimensional color blends, including Antique Chestnut and Pinnacle Grey.

Minimum Pitch: 3:12 Panel Size: 14 1/8" x 52 1/8"
Installed Exposure: 12 3/8" x 49 7/8"
Panels per Square: 23.4 (Installed Weight 150lbs/sq)
Installed Panel Coverage: 4.287 sqft



| Product Description | Colour | SKU | Price Per Each |
|----------------------------------|------------------|------------|----------------|
| DECRA Shake XD | Pinnacle Grey | PG03270760 | |
| | Antique Chestnut | AG03270720 | |
| Hip and Ridge (12 5/8" Exposed) | Pinnacle Grey | PG12222760 | |
| | Antique Chestnut | AG12222720 | |
| Panel Vent (64" - Net Free Area) | Pinnacle Grey | 96413003 | |
| | Antique Chestnut | 96413720 | |
| Rake/Gable 6' 6" | Pinnacle Grey | PG14394760 | |
| | Antique Chestnut | AG14394720 | |
| Stone Coated Z Bar 6' 6" | Pinnacle Grey | 96380003 | |
| | Antique Chestnut | 96380720 | |

Check your local Westman branch for availability, extended lead times may be required.
Prices subject to change without notice. • "Special" crating charges where applicable.

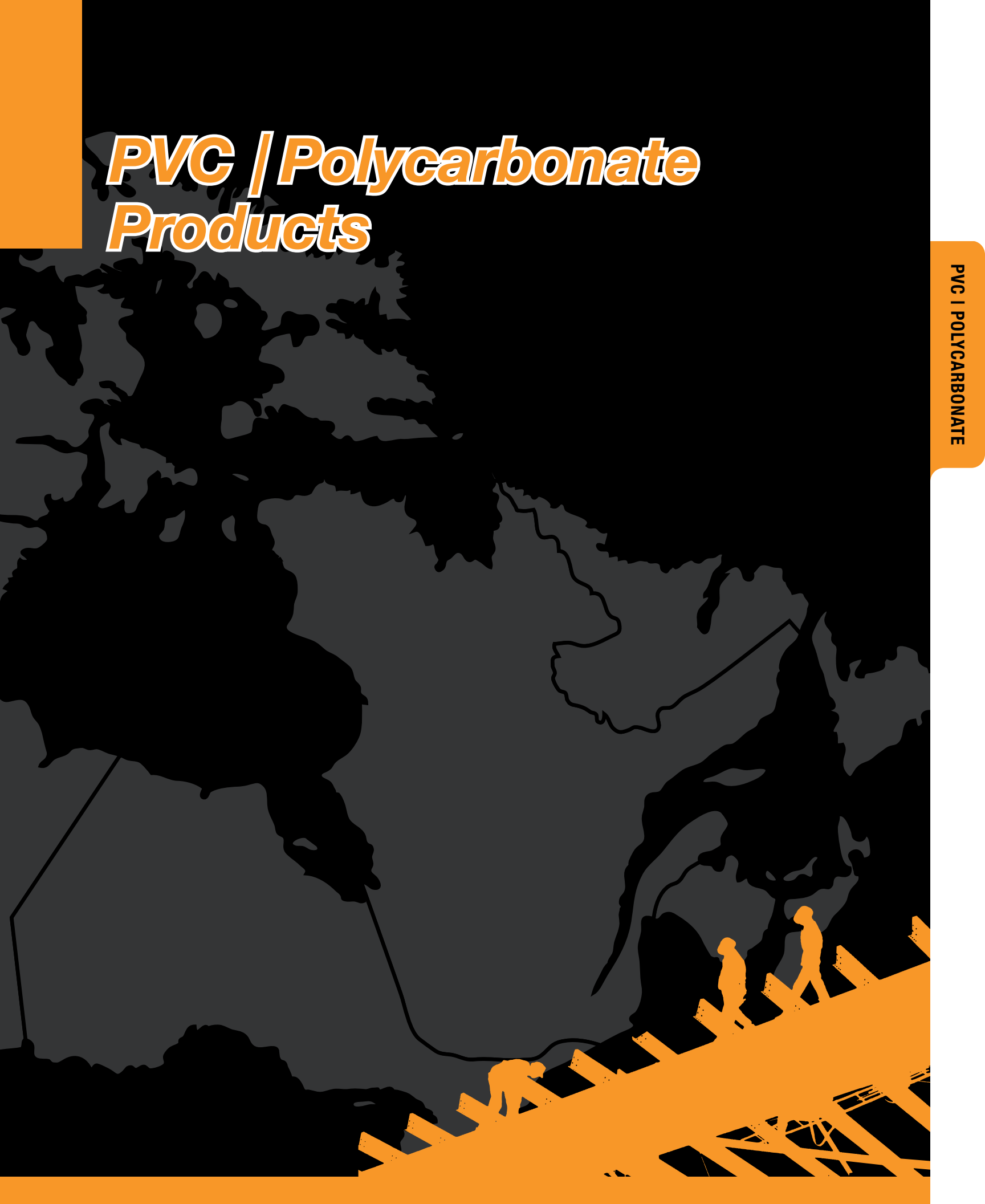


| Product Description | Colour | SKU | Price Per Each |
|---|------------------|----------------|----------------|
| End Caps | Pinnacle Grey | PG12380003 | |
| | Antique Chestnut | AG12380720 | |
| Valley Cap 6' 6" | Pinnacle Grey | FG14398003 | |
| | Antique Chestnut | AG14398720 | |
| A Valley 6' 6" | Zincalume | 20222000 | |
| B XD Starter Clip/Drip Edge 6' 6" | Zincalume | 20222300 | |
| C XD Short Course Clip 6' 6" | Zincalume | 25905000 | |
| D Underpan | Zincalume | 3906950 | |
| E XD Channel 6' 6" | Zincalume | 202224000 | |
| F Ridge Vent 40' | | 90531000 | |
| G High Profile Debris Guard 100' | | 90531050 | |
| H Screws (500pc. per Bag) | Galvanized | WSC00011015NW | |
| | Pinnacle Grey | DECRA 97090060 | |
| | Antique Chestnut | DECRA 97090060 | |
| Touch Up Kit <small>IMAGE NOT SHOWN</small> | Pinnacle Grey | FG3930220 | |
| | Antique Chestnut | AG30020100 | |

Check your local Westman branch for availability, extended lead times may be required.
Prices subject to change without notice. • "Special" crating charges where applicable.

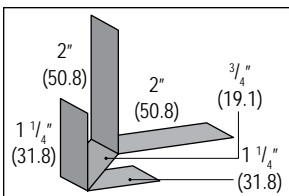
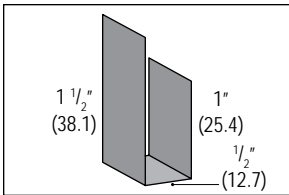
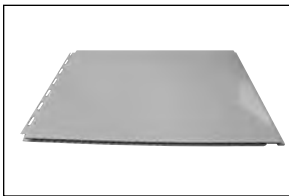
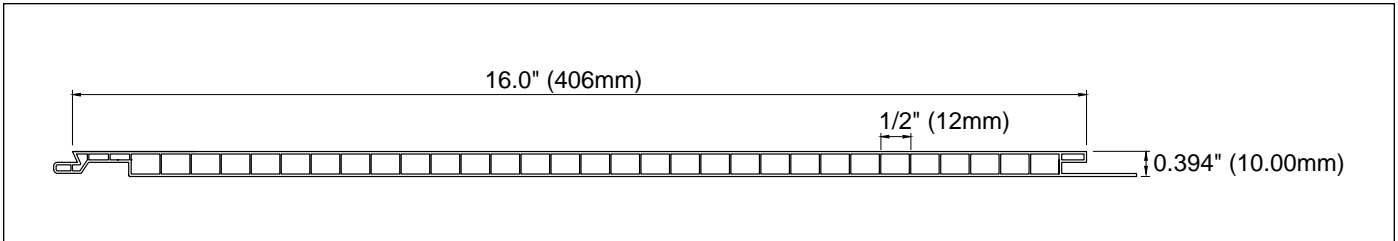
PVC / Polycarbonate Products

PVC | POLYCARBONATE



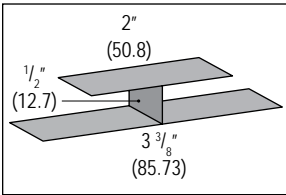
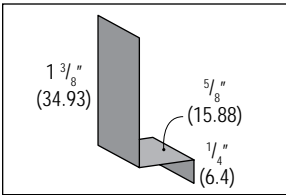
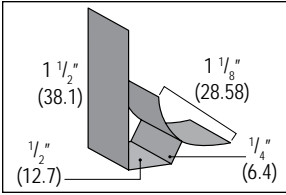
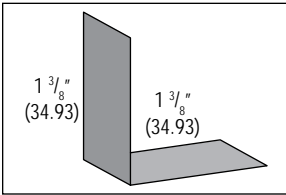


WESTMAN Steel's Clean 16 PVC Liner Panels are designed to exceed modern hygienic construction and statutory building codes. Clean 16 PVC Liner's webbed design provides outstanding spanning capability as well as high-strength. This product's surface is highly durable and resistant to scratches, chemicals, and moisture.



| Product Description | Length | SKU | Price |
|--------------------------|--------|-----------------|-------|
| Clean 16 PVC Liner Panel | 8'0" | CLEAN16PVC1608 | |
| Clean 16 PVC Liner Panel | 10'0" | CLEAN16PVC1610 | |
| Clean 16 PVC Liner Panel | 12'0" | CLEAN16PVC1612 | |
| Clean 16 PVC Liner Panel | 16'0" | CLEAN16PVC1616 | |
| Clean 16 PVC Liner Panel | 19'6" | CLEAN16PVC16195 | |
| PVC J Trim | 12'0" | CLEAN16PVCJ12 | |
| PVC Outside Corner Trim | 12'0" | CLEAN16PVCOSC12 | |

Prices subject to change without notice. • "Special" crating charges where applicable.

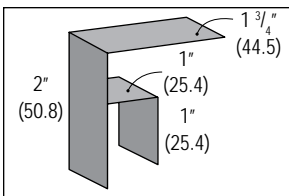
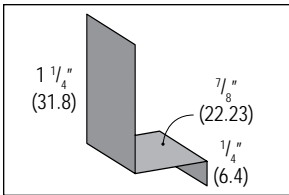
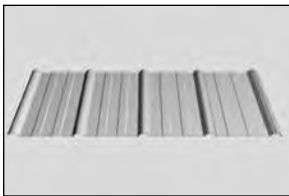
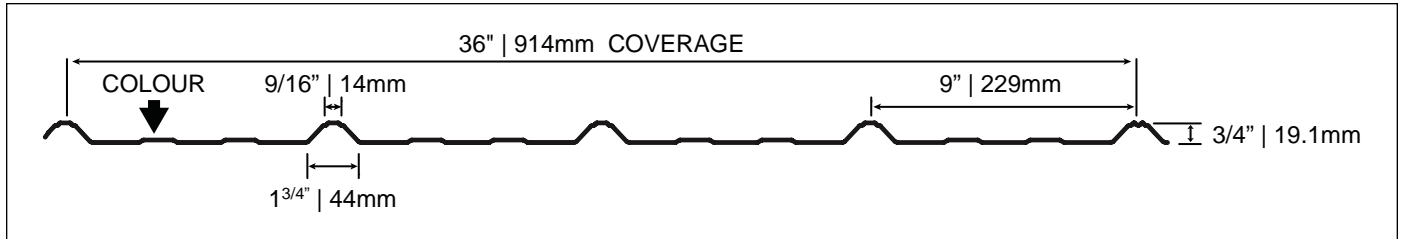


| Product Description | Length | SKU | Price |
|------------------------------|--------|----------------|-------|
| PVC Corner Trim | 120" | CLEAN16PVCC12 | |
| PVC Inside Cove/Endwall Trim | 120" | CLEAN16PVCC12 | |
| PVC Bottom Drip Trim | 120" | CLEAN16PVCBD12 | |
| PVC H Divider | 120" | CLEAN16PVCH12 | |

Prices subject to change without notice. • "Special" crating charges where applicable.

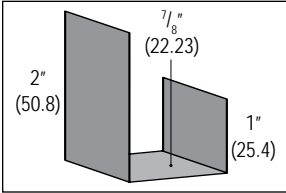


Offering a cost effective, and alternative solution to traditional industry liner packages, PVC Tough Rib/936 Liner Panels cover a number of applications for various building formats. With a 10 Year Limited Warranty PVC Tough Rib/936 Liner Panels are non flammable, lightweight and easy to install. They are also corrosion resistant and virtually indestructible through its high impact strength properties. Panels are available in 36" coverage in white only.



| Product Description | Length | SKU | Price |
|-------------------------|--------|----------|-------|
| PVC Tough Rib/936 | 12' 2" | 36TR12AM | |
| PVC Tough Rib/936 | 16' 4" | 36TR16AM | |
| PVC Tough Rib/936 | 20' 4" | 36TR20AM | |
| PVC Base Trim White | 10'0" | 2403 | |
| PVC Inside Corner White | 10'0" | 2400 | |

Prices subject to change without notice. • "Special" crating charges where applicable.



| Product Description | Length | SKU | Price |
|---------------------|--------|------|-------|
| PVC J Trim White | 10'0" | 2402 | |

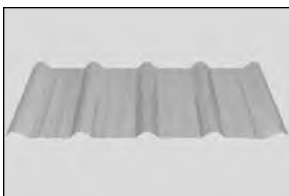
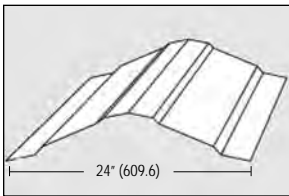
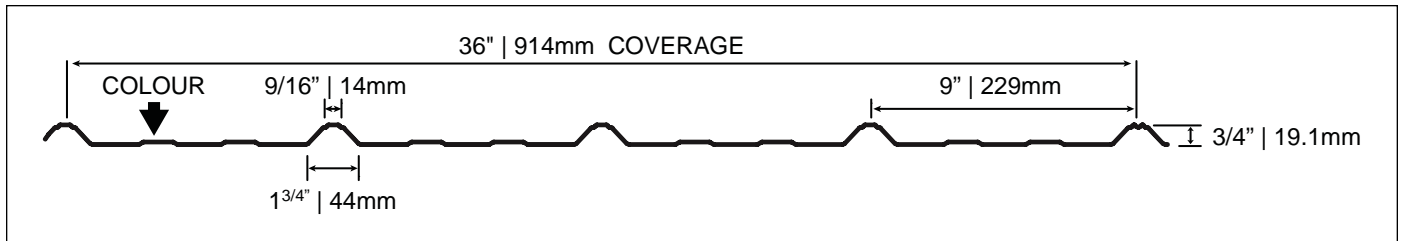
Prices subject to change without notice. • "Special" crating charges where applicable.



CAMBRIDGE, ON (855) 620-2720 | BRANDON/WINNIPEG, MB (800) 661-2823
SWIFT CURRENT/REGINA/SASKATOON, SK (800) 667-7468
AIRDRIE/EDMONTON, AB (800) 661-2826 | LANGLEY, BC (888) 937-8626



WESTMAN Steel's Tough Rib Polycarbonate and Ridge-Lite Skylights and Sidelight panels bring natural light into buildings. These panels retain optical clarity, with the Tough Rib Polycarbonate carrying a 10 Year Pro Rated Warranty against yellowing. These products are made of tough polycarbonate and are up to 20 times stronger than fiberglass. Tough Rib Polycarbonate and Ridge Lite panels are 100% UV protected, as well as hail and wind resistant. Tough Rib Polycarbonate also withstands extreme temperatures, from -40°F to 270°F, to match the performance of the most popular metal roofing profiles on the market today.

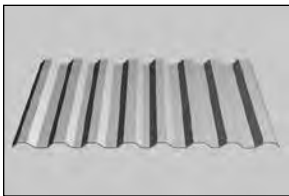
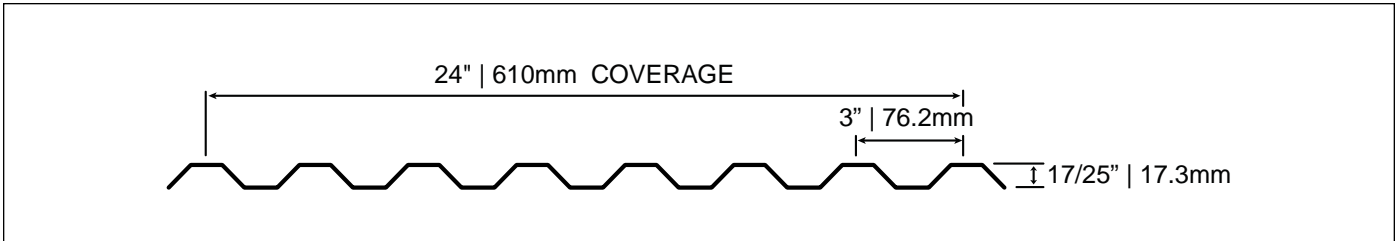


| Product Description | Length | Colour | SKU | Price |
|-----------------------------------|--------|--------|-------------|-------|
| 24" Ridge Cap Polycarbonate | 10' 6" | Clear | RIDGELITE C | |
| 36" Tough Rib Polycarbonate Panel | 2' 3" | Clear | 360002.25AM | |
| 36" Tough Rib Polycarbonate Panel | 8' 0" | Clear | 360008AM | |
| 36" Tough Rib Polycarbonate Panel | 10' 0" | Clear | 3600010AM | |
| 36" Tough Rib Polycarbonate Panel | 12' 0" | Clear | 3600012AM | |

Prices subject to change without notice. • "Special" crating charges where applicable.



The strongest polycarbonate panel you can buy yet flexible and easy to work with. This panel is 20 times stronger than traditional fiberglass and is ideal for patios or greenhouses with the benefit of being 90% light transmitting and hail resistant. With a 10 Year Prorated Warranty against yellowing this panel has a trapezoidal rib for strength, is completely reversible (install label side up for UV Protection) and comes in colours such as smoke, white, and clear in lengths as shown below.

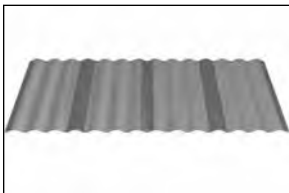
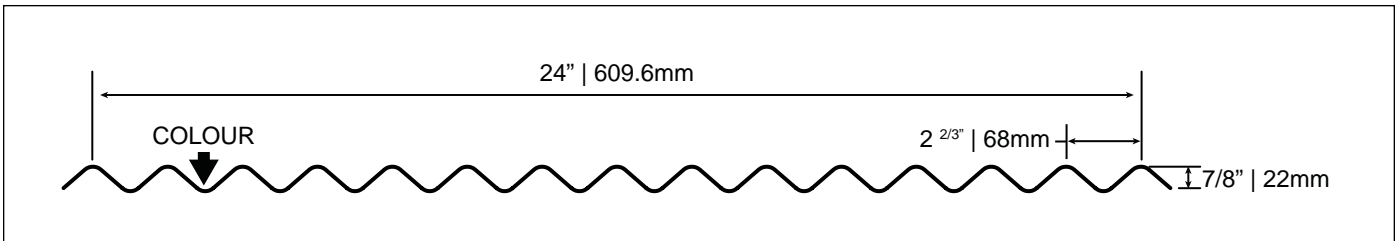


| Product Description | Size | Colour | SKU | Price |
|---------------------|-----------|-------------------|---------|-------|
| Greca Polycarbonate | 24" x 8' | Clear | 14181AM | |
| Greca Polycarbonate | 24" x 8' | Translucent White | 14131AM | |
| Greca Polycarbonate | 24" x 8' | Smoke | 14191AM | |
| Greca Polycarbonate | 24" x 10' | Clear | 14182AM | |
| Greca Polycarbonate | 24" x 12' | Clear | 14183AM | |
| Greca Polycarbonate | 24" x 12' | Translucent White | 14133AM | |
| Greca Polycarbonate | 24" x 12' | Smoke | 14193AM | |

Prices subject to change without notice. • "Special" crating charges where applicable.



Corrugated PVC is our popular traditional round wave style panel. These panels are 10 times stronger than 5 oz. fiberglass. Corrugated PVC is weather-resistant and formulated to resist ultra violet rays and excessive temperatures. This product is available in opaque panels to block the sun's rays, or translucent panels to allow filtered light.

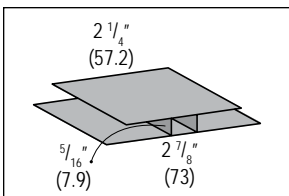
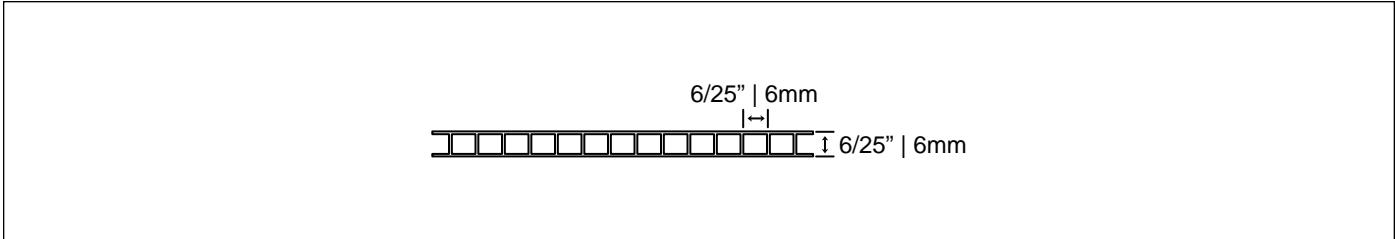


| Product Description | Size | Colour | SKU | Price |
|---------------------|-----------|---------------|---------|-------|
| Corrugated PVC | 24" x 8' | Crystal Clear | 12143AM | |
| Corrugated PVC | 24" x 10' | Crystal Clear | 12142AM | |
| Corrugated PVC | 24" x 12' | Crystal Clear | 12141AM | |
| Corrugated PVC | 24" x 8' | Opaque White | 12011AM | |
| Corrugated PVC | 24" x 12' | Opaque White | 12013AM | |

Prices subject to change without notice. • "Special" crating charges where applicable.

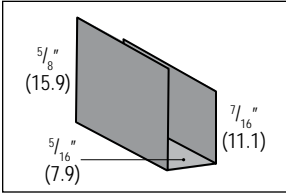


Multiwall provides an effective alternative to traditional glazings for applications as diverse as Commercial Greenhouses and Industrial Roofing to Office partitions, Carports, and Sunrooms. Made from the highest quality polycarbonate sheet, and featuring high light transmission, and an anti-drip and anti-fog coating, Multiwall is virtually unbreakable and carries a full pro-rated 10 Year Warranty against yellowing and loss of light transmission. Multiwall can be special ordered in 4.5mm, 6mm, and 10mm gauges in the following colors: Clear, White, Opal, Bronze, Softlite. Sheet sizes and lengths will vary, extended lead time will be required, please inquire.



| Product Description | Size | Colour | SKU | Price |
|---------------------|----------|--------|---------|-------|
| Clear 6mm Multiwall | 8' x 48" | Clear | 1594350 | |
| Anti Dust Tape | 32' Roll | Clear | 1594381 | |
| Clear H Divider | 8' | Clear | 1594371 | |

Prices subject to change without notice. • "Special" crating charges where applicable.



| Product Description | Size | Colour | SKU | Price |
|---------------------|------|--------|---------|-------|
| PVC J Trim White | 8' | Clear | 1594370 | |

Prices subject to change without notice. • "Special" crating charges where applicable.



CAMBRIDGE, ON (855) 620-2720 | BRANDON/WINNIPEG, MB (800) 661-2823
SWIFT CURRENT/REGINA/SASKATOON, SK (800) 667-7468
AIRDRIE/EDMONTON, AB (800) 661-2826 | LANGLEY, BC (888) 937-8626

Fasteners





Ordering Colour Fasteners

When ordering the colour variant of any WESTMAN STEEL fastener product, simply place the Colour Code, shown below, before the SKU number code. All Galvanized product SKUs are listed for you.

Example:

To order #10 x 1" Painted in Dark Red the full SKU would read - **WS02501010**

Ordering Colour Mini Drill Point Fasteners

When ordering the colour variant of a WESTMAN STEEL MDP (Mini Drill Point) fastener product, simply place the last 3 digits of the Colour Code, shown below, behind the SKU number code. All Galvanized product SKUs are listed for you.

Example:

To order #10 x 1" Painted MDP (Mini Drill Points) in Dark Red the full SKU would read - **MDP1010250**

| Classic Colours | Colour Code |
|------------------|-------------|
| Black | 0262 |
| Bone White | 0273 |
| Bright Red | 0386 |
| Bright White | 4783 |
| Buckskin | 9202 |
| Burgundy | 8011 |
| Charcoal | 0306 |
| Coffee | 0326 |
| Dark Red | 0250 |
| Deep Water Green | 3684 |

| Classic Colours | Colour Code |
|-------------------|-------------|
| Gold | 0276 |
| Heron Blue | 0330 |
| Hickory Moss | 9368 |
| Int'l Orange | 0234 |
| Ivory | 8802 |
| Light Stone | 9367 |
| Medium Green | 0329 |
| Melchers Green | 0307 |
| Metro Brown | 0228 |
| Pacific Turquoise | 0258 |

| Classic Colours | Colour Code |
|-----------------|-------------|
| Regent Grey | 1730 |
| Royal Blue | 0790 |
| Sapphire Blue | 0261 |
| Slate Blue | 0260 |
| Stone Grey | 0305 |
| Tan | 0315 |
| Tile Red | 0259 |
| Whistler Green | 8093 |
| White White | 0317 |

| Commercial | Colour Code |
|-----------------|-------------|
| Antique Linen | 3696 |
| Black | 0262 |
| Bone White | 0273 |
| Bronze | 3406 |
| Bright White | 4783 |
| Buckskin | 9202 |
| Cambridge White | 3695 |
| Charcoal | 0306 |
| Coffee | 0326 |

| Commercial | Colour Code |
|-----------------|-------------|
| Dark Brown | 0229 |
| Dark Red | 0250 |
| Deepwater Green | 3684 |
| Desert Gold | 3404 |
| Gold | 0276 |
| Heron Blue | 0330 |
| Medium Green | 0329 |
| Melchers Green | 0307 |
| Metro Brown | 0228 |

| Commercial | Colour Code |
|----------------|-------------|
| Regent Grey | 1730 |
| Royal Blue | 0790 |
| Slate Blue | 0260 |
| Stone Grey | 0305 |
| Tan | 0315 |
| Whistler Green | 8093 |
| White White | 0317 |

| Textured Colours | Colour Code |
|------------------|-------------|
| Chocolate Brown | 6034 |
| Chrome Green | 6037 |
| Graphite Grey | 6035 |

| Textured Colours | Colour Code |
|------------------|-------------|
| Jet Black | 6039 |
| Oxide Red | 6042 |
| Sepia Brown | 6041 |

| Exotic Colours | Colour Code |
|----------------|-------------|
| Copper Penny | COPP |
| Dark Zinc | 0306 |
| Rustic Red | 1426 |
| Silver Mist | 2008 |

Washers included unless noted otherwise. • Check your local Westman branch for availability, extended lead times may be required. Special order fasteners sold in full pail quantities ONLY, freight charges will be applicable. • Prices subject to change without notice.










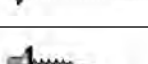
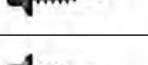
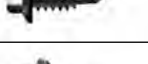






| | SKU | Product Description | Application | Pieces Per Pail | Weight | Price Per Each |
|--|------------|---|---------------------|-----------------|---------|----------------|
| | WS00011010 | #10 x 1" Galvanized | Steel Panel to Wood | 3000 | 25 lbs. | |
| | MDP1010 | #10 x 1" Galvanized (MDP) Mini Drill Points | Steel Panel to Wood | 3000 | 25 lbs. | |
| | WSXXX1010 | #10 x 1" Painted | Steel Panel to Wood | 3000 | 25 lbs. | |
| | MDP1010XXX | #10 x 1" Painted (MDP) Mini Drill Points | Steel Panel to Wood | 3000 | 25 lbs. | |
| | WS00011015 | #10 x 1 1/2" Galvanized | Steel Panel to Wood | 2500 | 27 lbs. | |
| | MDP1015 | #10 x 1 1/2" Galvanized (MDP) Mini Drill Points | Steel Panel to Wood | 2500 | 27 lbs. | |
| | WSXXX1015 | #10 x 1 1/2" Painted | Steel Panel to Wood | 2500 | 27 lbs. | |
| | MDP1015XXX | #10 x 1 1/2" Painted (MDP) Mini Drill Points | Steel Panel to Wood | 2500 | 27 lbs. | |
| | WS00011020 | #10 x 2" Galvanized | Steel Panel to Wood | 2000 | 27 lbs. | |
| | MDP1020 | #10 x 2" Galvanized (MDP) Mini Drill Points | Steel Panel to Wood | 2000 | 27 lbs. | |
| | WSXXX1020 | #10 x 2" Painted | Steel Panel to Wood | 2000 | 27 lbs. | |
| | MDP1020XXX | #10 x 2" Painted (MDP) Mini Drill Points | Steel Panel to Wood | 2000 | 27 lbs. | |
| | WS00011030 | #10 x 3" Galvanized | Steel Panel to Wood | 1000 | 19 lbs. | |
| | WSXXX1030 | #10 x 3" Painted | Steel Panel to Wood | 1000 | 19 lbs. | |
| | WS00011410 | #14 x 1" Galvanized | Steel Panel to Wood | 2000 | 36 lbs. | |
| | WSXXX1410 | #14 x 1" Painted | Steel Panel to Wood | 2000 | 36 lbs. | |

Washers included unless noted otherwise. • Check your local Westman branch for availability, extended lead times may be required. Special order fasteners sold in full pail quantities ONLY, freight charges will be applicable. • Prices subject to change without notice.



CAMBRIDGE, ON (855) 620-2720 | BRANDON/WINNIPEG, MB (800) 661-2823
 SWIFT CURRENT/REGINA/SASKATOON, SK (800) 667-7468
 AIRDRIE/EDMONTON, AB (800) 661-2826 | LANGLEY, BC (888) 937-8626







| | SKU | Product Description | Application | Pieces Per Pail | Weight | Price Per Each |
|---|-------------|---------------------------------------|----------------------------|-----------------|---------|----------------|
|  | WS000114125 | #14 x 1 1/4" Galvanized | Steel Panel to Wood | 2000 | 40 lbs | |
|  | WSXXX14125 | #14 x 1 1/4" Painted | Steel Panel to Wood | 2000 | 40 lbs. | |
|  | WS00011415 | #14 x 1 1/2" Galvanized | Steel Panel to Wood | 1500 | 23 lbs. | |
|  | WSXXX1415 | #14 x 1 1/2" Painted | Steel Panel to Wood | 1500 | 23 lbs. | |
|  | WS00011420 | #14 x 2" Galvanized | Steel Panel to Wood | 1000 | 28 lbs. | |
|  | WSXXX1420 | #14 x 2" Painted | Steel Panel to Wood | 1000 | 28 lbs. | |
|  | SS00011478 | #14 x 7/8" Stitch Galvanized | Steel Panel to Steel Panel | 2500 | 26 lbs. | |
|  | SSXXX1478 | #14 x 7/8" Stitch Painted | Steel Panel to Steel Panel | 2500 | 26 lbs. | |
|  | SD00011210 | #12 x 1" Self Drillers Galvanized | Steel Panel to Steel | 3000 | 38 lbs. | |
|  | SDXXX1210 | #12 x 1" Self Drillers Painted | Steel Panel to Steel | 3000 | 38 lbs. | |
|  | SD00011215 | #12 x 1 1/2" Self Drillers Galvanized | Steel Panel to Steel | 2000 | 33 lbs. | |
|  | SDXXX1215 | #12 x 1 1/2" Self Drillers Painted | Steel Panel to Steel | 2000 | 33 lbs. | |
|  | SD00011220 | #12 x 2" Self Drillers Galvanized | Steel Panel to Steel | 2000 | 33 lbs. | |
|  | SDXXX1220 | #12 x 2" Self Drillers Painted | Steel Panel to Steel | 2000 | 33 lbs. | |
|  | PH00011010J | #10 x 1" Pancake Galvanized No Washer | Steel/PVC Panel to Wood | 3000 | 23 lbs. | |
|  | CMXXX1010 | #10 x 1" Nylon Head No Washer | Steel Panel to Wood | 2500 | 23 lbs. | |

Washers included unless noted otherwise. • Check your local Westman branch for availability, extended lead times may be required. Special order fasteners sold in full pail quantities ONLY, freight charges will be applicable. • Prices subject to change without notice.



CAMBRIDGE, ON (855) 620-2720 | BRANDON/WINNIPEG, MB (800) 661-2823
 SWIFT CURRENT/REGINA/SASKATOON, SK (800) 667-7468
 AIRDRIE/EDMONTON, AB (800) 661-2826 | LANGLEY, BC (888) 937-8626

















| | SKU | Product Description | Application | Pieces Per Pail | Weight | Price Per Each |
|---|-------------|--------------------------------------|---------------------|-----------------|---------|----------------|
|  | CMXXXX1015 | #10 x 1 1/2" Nylon Head No Washer | Steel Panel to Wood | 2000 | 22 lbs. | |
|  | WS00011734 | #17 x 3/4" Plain Goof Screw | Steel Panel to Wood | 2500 | 18 lbs. | |
|  | WS00011715 | #17 x 1 1/2" Plain Goof Screw | Steel Panel to Wood | 1000 | 29 lbs. | |
|  | OS031712125 | #12 x 1 1/4" White White One Stepper | Various to Wood | 2500 | 34 lbs. | |
| | | | | | | |
| | | | | | | |
| | | | | | | |
| | | | | | | |
| | | | | | | |
| | | | | | | |
| | | | | | | |
| | | | | | | |
| | | | | | | |
| | | | | | | |
| | | | | | | |
| | | | | | | |
| | | | | | | |
| | | | | | | |
| | | | | | | |
| | | | | | | |
| | | | | | | |
| | | | | | | |

Washers included unless noted otherwise. • Check your local Westman branch for availability, extended lead times may be required.
Special order fasteners sold in full pail quantities ONLY, freight charges will be applicable. • Prices subject to change without notice.

















Closures










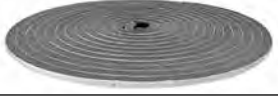
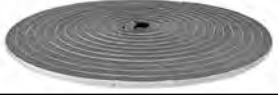


| | SKU | Product Description | Length | Price |
|---|-----------|-----------------------------------|----------------|-------|
|  | 556319 | Closure Large Tab 936 & Tough Rib | 36" | |
|  | 556318 | Closure Small Tab 936 & Tough Rib | 36" | |
|  | 556135 | Closure Large Tab Rainbow Rib | 37" | |
|  | 556133 | Closure Small Tab Rainbow Rib | 37" | |
|  | LTCTSM32 | Closure Large Tab TSM32 | 32" | |
|  | STCTSM32 | Closure Small Tab TSM32 | 32" | |
|  | 556336-12 | Closure Large Tab 12" Snap Lok | 36" (3 Panels) | |
|  | 556337-12 | Closure Small Tab 12" Snap Lok | 36" (3 Panels) | |
|  | 556336-16 | Closure Large Tab 16" Snap Lok | 32" (2 Panels) | |
|  | 556337-16 | Closure Small Tab 16" Snap Lok | 32" (2 Panels) | |
|  | 556321 | Closure Large Tab Diamond Rib | 36" | |
|  | 556320 | Closure Small Tab Diamond Rib | 36" | |
|  | LTMDC | Closure Large Tab Multi Drain | 36" | |
|  | STMDC | Closure Small Tab Multi Drain | 36" | |

Check your local Westman branch for availability, extended lead times may be required. • Prices subject to change without notice.
 "Special" crating charges where applicable. • Charges apply for Short Sheet production. • Fabrication charges where applicable.

| | SKU | Product Description | Length | Price |
|---|----------|--|--------|-------|
|  | 188134 | Closure AWR Large Tab | 36" | |
|  | 188133 | Closure AWR Small Tab | 36" | |
|  | 556325 | Closure Large Tab Elite Rib/Ultraspans | 36" | |
|  | 556324 | Closure Small Tab Elite Rib/Ultraspans | 36" | |
|  | DMLTC | Closure Large Tab Deck Mate | 36" | |
|  | DMSTC | Closure Small Tab Deck Mate | 36" | |
|  | 188181 | Closure 7/8" Corrugated | 37" | |
|  | 188180 | Closure 1/2" Corrugated | 34.67" | |
|  | 1594403 | Greca Polycarbonate Closure Foam (5pc Pkg) | 36" | |
|  | 1594402 | Greca Polycarbonate Closure Plastic (6pc Pkg) | 24" | |
|  | 1594401 | Corrugated PVC Closure Foam (5pc Pkg) | 36" | |
|  | 1594400 | Corrugated PVC Closure Plastic (6pc Pkg) | 24" | |
|  | 1594404 | Vertical Closure Plastic (6pc Pkg) | 24" | |
|  | LTCVTR36 | Vented Closure - Tough Rib (for use with #579 Ridgcap) | 36" | |

Check your local Westman branch for availability, extended lead times may be required. • Prices subject to change without notice.
 "Special" crating charges where applicable. • Charges apply for Short Sheet production. • Fabrication charges where applicable.

| | SKU | Product Description | Length | Price |
|--|-----------|--|----------------|-------|
|  | RPVC | Vented Closure – AWR Panel (36" Coverage) | 36" | |
|  | MDVLT | Vented Closure - Multi Drain (for use with #579 Ridgcap) | 36" | |
|  | CRV | Roll Vent 10-1/2" x 20' | 20' 0" | |
|  | VCSL12 | Vented Closure - Snap Lok 12" Panel (36" coverage, 3 Panels) | 36" (3 Panels) | |
|  | VCSL16 | Vented Closure - Snap Lok 16" Panel (32" coverage, 2 Panels) | 32" (2 Panels) | |
|  1 ROLL REQUIRED EACH SIDE OF THE RIDGE | TO900PV25 | Profile Ridge Vent Closure Tough Rib (2 x 25' Rolls) | 50' | |
|  1 ROLL REQUIRED EACH SIDE OF THE RIDGE | TO15019V | Profile Ridge Vent Closure AWR (2 x 25' Rolls) | 50' | |
|  | AST3875 | 3/8" x 3/4" x 13' AST Hi Acrylic (expands to 1 1/2") | 13' | |
|  | AST1475 | 1/4" x 3/4" x 20' AST Hi Acrylic (expands to 1") | 20' | |
|  | 556338 | Universal Closure 18' x 1 1/2" x 1 1/2" | 18' | |
|  | UFC1X1X50 | Universal Closure 50' x 1" x 1" | 50' | |
| | | | | |
| | | | | |
| | | | | |

Check your local Westman branch for availability, extended lead times may be required. • Prices subject to change without notice. "Special" crating charges where applicable. • Charges apply for Short Sheet production. • Fabrication charges where applicable.

Accessories





MAGNETIC SOCKETS



BUTYL SEALANT TAPE



SEALANTS



UNDERLAYMENT



SNOWSHOES



| SKU | Product Description | Price EA |
|-------------|--|----------|
| 25MDB-2 | #10 Magnetic Socket (1/4" Hex Head) | |
| 516MDB | #12 Magnetic Socket (5/16" Hex Head) | |
| 38MDB-2 | #14 Magnetic Socket (3/8" Hex Head) | |
| 3209030 | 1/8" x 1/2" Butyl Tape (30ft. per roll) | |
| BT40 | 5/32" x 7/32" Butyl Tape (40ft. Per rolls) | |
| M1BLACK | M1 Black Adhesive/Sealant | |
| M1GRAY | M1 Gray Adhesive Seant | |
| M1LIMESTONE | M1 Limestone Adhesive/Sealant | |
| M1WHITE | M1 White Adhesive/Sealant | |
| 995825 | Tube Caulking Supra Clear | |
| 48250 | FELTEX 48" x 250ft (875sqft coverage) | |
| F1202 | Per Pack: Clear 24 Snow Shoes, 3 Tubes Durasil Adhesive, Rubber Gloves | |
| F1202SM | Per Pack: Smoke 24 Snow Shoes, 3 Tubes Durasil Adhesive, Rubber Gloves | |

Prices subject to change without notice.



CAMBRIDGE, ON (855) 620-2720 | BRANDON/WINNIPEG, MB (800) 661-2823
SWIFT CURRENT/REGINA/SASKATOON, SK (800) 667-7468
AIRDRIE/EDMONTON, AB (800) 661-2826 | LANGLEY, BC (888) 937-8626



WINDOW WELLS



CUSTOM SIZES AVAILABLE
EXTENDED LEAD TIME REQUIRED

CUPOLAS



WEATHER VANES SOLD SEPARATELY BASE AND
CUPOLA AVAILABLE IN MIXED/MATCHED COLOURS

MASTER FLASH



MASTER FLASH RETRO FIT



MASTER FLASH HI TEMP



| SKU | Product Description | Price EA |
|---------------|---|----------|
| WW423021 | Window Well 20Ga Galv 42" w x 30" p x 21" h | |
| WW543021 | Window Well 20Ga Galv 54" w x 30" p x 21" h | |
| WW663021 | Window Well 20Ga Galv 66" w x 30" p x 21" h | |
| WW783021 | Window Well 20Ga Galv 78" w x 30" p x 21" h | |
| Special Order | CB 24 Cupola (up to 5:12 Pitch, optional Base, optional Flashing) | |
| Special Order | CB 36 Cupola (up to 5:12 Pitch, optional Base, optional Flashing) | |
| Special Order | CB 24 Cupola (over 5:12 Pitch, optional Base, optional Flashing) | |
| Special Order | CB 36 Cupola (over 5:12 Pitch, optional Base, optional Flashing) | |
| MF#1 | Master Flash # 1 (1/4" - 2 1/2") | |
| MF#2 | Master Flash # 2 (1-1/4" - 3") | |
| MF#3 | Master Flash # 3 (1/4" - 5") | |
| MF#4 | Master Flash # 4 (3" - 6-1/4") | |
| MF#5 | Master Flash # 5 (4-1/4" - 7-3/4") | |
| MF#6 | Master Flash # 6 (5" - 9") | |
| MF#7 | Master Flash # 7 (6" - 11") | |
| MF#8 | Master Flash # 8 (7" - 13") | |
| MF#9 | Master Flash # 9 (9" - 19") | |
| RD8011 | Retro Fit Master Flash (3/4" - 2-3/4") | |
| RD8012 | Retro Fit Master Flash (2" - 7-1/4") | |
| RD8013 | Retro Fit Master Flash (3-1/4" - 10") | |
| 40336910 | Master Flash # 3 Hi Temp Silicone Red (1/4" - 4") | |
| 4036910 | Master Flash # 5 Hi Temp Silicone Red (4-1/4" - 7-3/4") | |
| 4038910 | Master Flash # 8 Hi Temp Silicone Red (7" - 13") | |
| 4039910 | Master Flash # 9 Hi Temp Silicone Red (9" - 19") | |

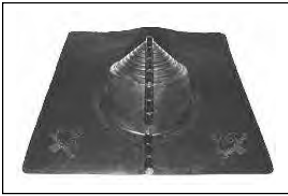
Prices subject to change without notice.



ROOF SHIELD



E-MAST FLASHING



| SKU | Product Description | Price EA |
|-----------------|-----------------------------|----------|
| DORMER CAP SMLL | Roof Shield Small 12-1/4" | |
| DORMER CAP LRG | Roof Shield Large 16-1/2" | |
| | | |
| | | |
| | | |
| SHINGLE RETROFT | E-Mast Flashing 0" - 3-3/8" | |
| | | |
| | | |
| | | |

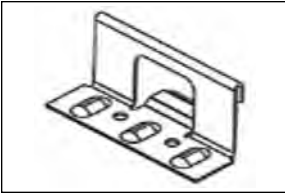
Prices subject to change without notice.



CAMBRIDGE, ON (855) 620-2720 | BRANDON/WINNIPEG, MB (800) 661-2823
SWIFT CURRENT/REGINA/SASKATOON, SK (800) 667-7468
AIRDRIE/EDMONTON, AB (800) 661-2826 | LANGLEY, BC (888) 937-8626



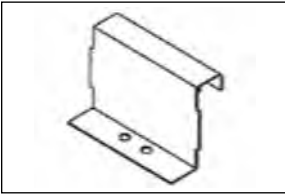
FIXED CLIP - SNAP SEAM 1 1/2"



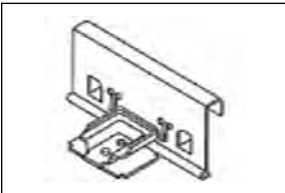
FIXED CLIP - MECH. LOCK 1 1/2"



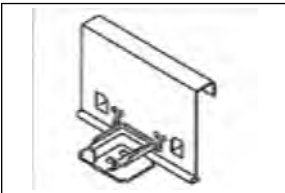
FIXED CLIP - MECH. LOCK 2"



FLOAT CLIP - MECH. LOCK 1 1/2"



FLOAT CLIP - MECH. LOCK 2"



| SKU | Product Description | Price EA |
|---------|---|----------|
| 1023821 | Fixed Clip Height - 1.46", Width - 3.5", 2 - Hole Material 18 ga. G-90 Galv. Container Quantity - 125 | |
| 1093692 | Fixed Clip Height - 1.59", Width - 2", 2 - Hole Material 24 ga. G-90 Galv. Container Quantity - 350 | |
| 1213346 | Fixed Clip Height - 2.07", Width - 3", 2 - Hole Material 22 ga. G-90 Galv. Container Quantity - 250 | |
| 1069208 | Floating Clip Height - 2", Width - 4.2", 2-Hole Base Material 16 ga. G-90 Galv. Tab Material 22 ga. G-90 Galv. Container Quantity - 80 | |
| 1069206 | Floating Clip Height - 2.4", Width - 4.3", 2-Hole Base Material 16 ga. G-90 Galv. Tab Material 22 ga. G-90 Galv. Container Quantity - 80 | |

Prices subject to change without notice.



CAMBRIDGE, ON (855) 620-2720 | BRANDON/WINNIPEG, MB (800) 661-2823
SWIFT CURRENT/REGINA/SASKATOON, SK (800) 667-7468
AIRDRIE/EDMONTON, AB (800) 661-2826 | LANGLEY, BC (888) 937-8626

Door Systems



QUICK TRACK™ SYSTEM

KEY-HOLE™ TRACK SYSTEM


| Product Description | Weight | SKU | Price |
|---|--------------|--------|-------|
| Quick Track™ White 8' | 30.4 lbs ea. | 711158 | |
| Quick Track™ White 10' | 38 lbs ea. | 711159 | |
| Quick Track™ White 12' | 45.6 lbs ea. | 711160 | |
| Note(s) <ul style="list-style-type: none"> • Top Mounted 14Ga Galvanized Track with an 18Ga White Cover. • Designed for weather protection on doors up to 4 1/2" thick, 475 lbs on single trolleys and 600 lbs on Double Truck trolleys. • Splice Collar (465101) required for each section of track less one. Endcaps (711489) required if not using End Cover Package (711205). | | | |
| End Cover Q/T White (1 pair) | 0.6 lbs ea. | 711205 | |
| Note(s) <ul style="list-style-type: none"> • For Quick Track ONLY. One pair required for each track run. Comes with screws and end caps. | | | |
| Key-Hole Track Galvanized 8' | 16 lbs ea. | 643836 | |
| Key-Hole Track Galvanized 10' | 20 lbs ea. | 643837 | |
| Key-Hole Track Galvanized 12' | 24 lbs ea. | 711061 | |
| Key-Hole Track Galvanized 16' | 32 lbs ea. | 711063 | |
| Key-Hole Track Galvanized 20' | 40 lbs ea. | 711065 | |
| Note(s) <ul style="list-style-type: none"> • 14Ga Galvanized Track. Patented key-hole design makes this track the most versatile of the track systems. • Key holes are punched every 2 feet for mounting brackets. Requires one Splice Collar (465101) for each section of track less one. • Requires one set of End Caps (711489) each track run. • Maximum door weight of 400lbs with Delrin trolleys and 600lbs with double truck trolleys. | | | |
| Splice Collar | 0.6 lbs ea. | 465101 | |
| Note(s) <ul style="list-style-type: none"> • Galvanized with locking lugs to keep track firmly in place, and keep from rotating. One required for each section of track less one. | | | |
| End Cap With Mounting Bolt | 1 lbs ea. | 711489 | |
| Note(s) <ul style="list-style-type: none"> • Packaged per pair with mounting bolts. | | | |

Check your local Westman branch for availability, extended lead times may be required. Prices subject to change without notice. • "Special" crating charges where applicable.



| Product Description | Weight | SKU | Price |
|---|------------------|--------|-------|
| Face Mount Bracket For Track & Cover | 0.4 lbs ea. | 646513 | |
| Note(s) • May be used on 1" or 2" track plank. Galvanized, for doors up to 3 3/4" in thickness. | | | |
| Top Mount Keyhole Bracket | 0.3 lbs ea. | 646519 | |
| Note(s) • For doors up to 3 3/4" in thickness. Galvanized. Use with 2" track plank only. | | | |
| Face Mount Track Bracket | 1 lbs ea. | 646512 | |
| Note(s) • May be used on 1" or 2" track plank. Galvanized brackets. | | | |
| Double Track Bracket Plate | 1.3 lbs ea. | 712137 | |
| Note(s) • Designed for mounting double runs of bolt hung track. | | | |
| Track Cover Retainer Bracket | 0.1 lbs ea. | 712136 | |
| Note(s) • Designed for easy installation of track cover for either single or double runs of bolt hung track. | | | |
| Key Hole Bolt Hung Track Fastener | 0.2 lbs ea. | 643840 | |
| Note(s) • Special 1" long bolts, 1 1/8" OD Washers, speed nuts and hex nuts, all zinc plated. | | | |
| Face Mount End Cover | 1.2 lbs per pair | 711210 | |
| Note(s) • For use with #225 FM Track Cover. • See Cannonball Standard Flashing for pricing and details. | | | |

Check your local Westman branch for availability, extended lead times may be required. Prices subject to change without notice. • "Special" crating charges where applicable.


TUBULAR™ TRACK SYSTEM

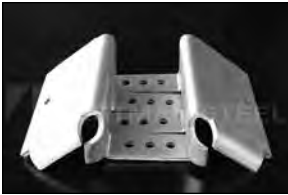
TROLLEY HANGERS


| Product Description | Weight | SKU | Price |
|---|------------------|--------|-------|
| Top Mount End Cover | 1.2 lbs per pair | 711212 | |
| Note(s) <ul style="list-style-type: none"> For use with #226 TM Track Cover. See Cannonball Standard Flashing for pricing and details. | | | |
| Universal Side Bracket | 0.95 lbs ea. | 646505 | |
| Note(s) <ul style="list-style-type: none"> For use when mounting a single run of track. Packaged with 3/8" x 2 1/2" lag bolts. Zinc plated. | | | |
| Universal Double Side Bracket | 3 lbs ea. | 646801 | |
| Note(s) <ul style="list-style-type: none"> For use when mounting two parallel runs of track. Usually used for by passing doors. Zinc plated. | | | |
| Track Curve 90° 38" Radius | 15 lbs ea. | 643312 | |
| Note(s) <ul style="list-style-type: none"> Can be used with Key-hole or tubular track systems. For use when your desired door width is twice your wall length. Zinc plated. | | | |
| Ceiling Bracket Zinc | 1 lbs ea. | 646602 | |
| Note(s) <ul style="list-style-type: none"> Permits one or more runs of track to be mounted to ceilings on overhead support. Zinc plated. | | | |
| Pendant Bolt for Trolley Hangers | 0.5 lbs ea. | 462033 | |
| Note(s) <ul style="list-style-type: none"> 4 way adjustable offset pendant bolt. Includes special adjusting nuts. | | | |

Check your local Westman branch for availability, extended lead times may be required. Prices subject to change without notice. • "Special" crating charges where applicable.



DOOR HARDWARE & ACCESSORIES



| Product Description | Weight | SKU | Price |
|--|------------------|--------|-------|
| Pendant Bolt 9 1/2" Offset (for Trolley Hangers) | 4.6 lbs per pair | 713999 | |
| Note(s) • 4 way adjustable - use on wood or metal frame doors not weighing more than 600 lbs. Packaged per pair. | | | |
| Adjustable Mounting Bracket Trolley Package | 6.7 lbs per pair | 711221 | |
| Note(s) • Recommended for solid wood doors up to 1 13/16" thick, not weighing over 600 lbs. | | | |
| Double Truck Trolley With Bar, Bolt and Plate | 10 lbs per pair | 714420 | |
| Note(s) • For use on doors 600 - 1200 lbs. Comes with 9 1/2" bolt trolley support plate designed for Bigg Frame doors. | | | |
| Adjustable Stay Roller | 1.9 lbs ea. | 710806 | |
| Note(s) • Offset/Adjustable galvanized stay roller designed to allow 3 way adjustability, to better hold your door close to your building | | | |
| Center Door Guide & Stop | 8 lbs ea. | 711271 | |
| Note(s) • Package contains 2 710950 and 1 centre stop package. | | | |
| Stay Guide 8' c/w Hardware | 13 lbs ea. | 724575 | |
| Note(s) • For use with #244 bottom rail. Comes complete with brackets (Galvanized). Should engage 60% of door panel width. | | | |

Check your local Westman branch for availability, extended lead times may be required. Prices subject to change without notice. • "Special" crating charges where applicable.



| Product Description | Weight | SKU | Price |
|--|-------------|--------|-------|
| White Vinyl-Coat Adjust-A-Stop | 1.2 lbs ea. | 710899 | |
| Note(s) • Vinyl coated to add lasting beauty to any door installation and to protect your door installation. | | | |
| Cam Latch Zinc | 1.3 lbs ea. | 711504 | |
| Note(s) • Providing a non exposed, one handed operation, to secure siding doors, swinging doors or gates from inside your building. Raise lever to open, push down to latch. | | | |
| Gate, Stall and Door Latch | 1.7 lbs ea. | 710586 | |
| Note(s) • Heavy Duty 1/2" x 10" steel bolt, reversible for RH/LH installation. Bolt acts as handle providing simple, positive operation, with trouble free operation. Can be padlocked w/ installation of padlock eye. Zinc plated. | | | |
| Jamb Latch 7 | 1.2 lbs ea. | 728106 | |
| Note(s) • Adjustable jamb latch with a smooth, even finish, providing heavy duty operation. | | | |
| Jumbo White Door Pull | 0.5 lbs ea. | 710654 | |
| Note(s) • White vinyl coated for beauty and weather protection. | | | |
| Metal Vertical Side Door Snugger | 1.8 lbs ea. | 711201 | |
| Note(s) • Used with either wood or steel horizontals, the chain sliding down the diverging rods draws the door tight to the jamb providing protection to the door and eliminating door rattle. Two required per opening. | | | |

Check your local Westman branch for availability, extended lead times may be required. Prices subject to change without notice. • "Special" crating charges where applicable.

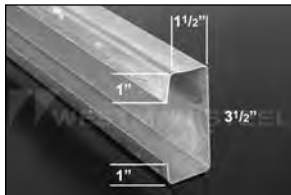


KWIK FRAME

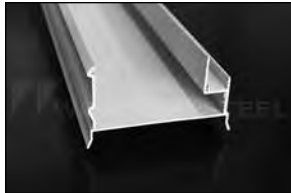
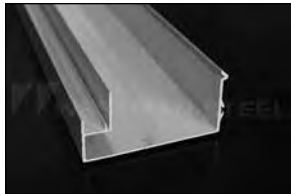


| Product Description | Weight | SKU | Price |
|--|--------------|-----------------|-------|
| Metal Vertical Center Door Snugger | 2 lbs ea. | 711200 | |
| Note(s) • Used with wood/steel horizontals, the chain sliding down the diverging rods draws the door verticals together providing protection to the door and eliminating door rattle. One required each double leaf door. | | | |
| Brush Seals Quick Frame Bottom Rail | 0.4 lbs ea. | 500904 | |
| Note(s) • Providing weather protection. | | | |
| #8 x 1/2 inch Bright White Self Drillers (100pc Packs) | 1 lbs ea. | SD478308005-100 | |
| Note(s) • Self drilling fasteners designed to help with the building of your door. | | | |
| 200B Side Rail 10' White | 7.6 lbs ea. | 200B - 10 | |
| 200B Side Rail 12' White | 9.2 lbs ea. | 200B - 12 | |
| 200B Side Rail 14' White | 10.6 lbs ea. | 200B - 14 | |
| 200B Side Rail 16' White | 12.2 lbs ea. | 200B - 16 | |
| 200B Side Rail 18' White | 13.7 lbs ea. | 200B - 18 | |
| 200B Side Rail 20' White | 15.2 lbs ea. | 200B - 20 | |
| Note(s) • For use with 1 1/2" horizontals (white only). | | | |
| 216B Double Couple 10' White | 9.3 lbs ea. | 216B - 10 | |
| 216B Double Couple 12' White | 11.2 lbs ea. | 216B - 12 | |
| 216B Double Couple 14' White | 13.0 lbs ea. | 216B - 14 | |
| 216B Double Couple 16' White | 14.9 lbs ea. | 216B - 16 | |
| 216B Double Couple 18' White | 16.7 lbs ea. | 216B - 18 | |
| 216B Double Couple 20 White | 18.6 lbs ea. | 216B - 20 | |
| Note(s) • For use in place of one #200 vertical where doors meet. Eliminates gap between doors and has a built in J Trim (white only). | | | |

Check your local Westman branch for availability, extended lead times may be required. Prices subject to change without notice. • "Special" crating charges where applicable.

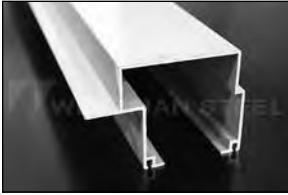


BIGG FRAME



| Product Description | Weight | SKU | Price |
|---|--------------|----------|-------|
| 244 Bottom Rail 10' White | 10 lbs ea. | 244 - 10 | |
| 244 Bottom Rail 12' White | 12 lbs ea. | 244 - 12 | |
| 244 Bottom Rail 14' White | 14 lbs ea. | 244 - 14 | |
| 244 Bottom Rail 16' White | 16 lbs ea. | 244 - 16 | |
| 244 Bottom Rail 18' White | 18 lbs ea. | 244 - 18 | |
| 244 Bottom Rail 20' White | 20 lbs ea. | 244 - 20 | |
| Note(s) • Eliminates wood rail and provides channel for continuous bottom guide (white only). | | | |
| 235-12 Box Beam Girts | 15 lbs ea. | 235 - 12 | |
| 235-14 Box Beam Girts | 17 lbs ea. | 235 - 14 | |
| 235-16 Box Beam Girts | 19 lbs ea. | 235 - 16 | |
| 235-18 Box Beam Girts | 21 lbs ea. | 235 - 18 | |
| 235-20 Box Beam Girts | 23 lbs ea. | 235 - 20 | |
| Note(s) • 20 Gauge Galvanized Steel Box Beam Girts. | | | |
| Steel C Girt 10' | 11 lbs ea. | 1023520 | |
| Steel C Girt 12' | 14 lbs ea. | 1223520 | |
| Steel C Girt 14' | 16 lbs ea. | 1423520 | |
| Steel C Girt 16' | 18 lbs ea. | 1623520 | |
| Steel C Girt 18' | 20 lbs ea. | 1823520 | |
| Steel C Girt 20' | 22 lbs ea. | 2023520 | |
| Note(s) • 20 Gauge Galvanized Steel C Girts. | | | |
| 391 Side Rail BIGG Frame 16' | 15 lbs ea. | 391 - 16 | |
| 391 Side Rail BIGG Frame 18' | 17 lbs ea. | 391 - 18 | |
| 391 Side Rail BIGG Frame 20' | 18.7 lbs ea. | 391 - 20 | |
| Note(s) • For use with 3 1/2" horizontals, comes with built in J trim (white only). | | | |
| 396 Double Couple BIGG Frame 16' | 16.3 lbs ea. | 396 - 16 | |
| 396 Double Couple BIGG Frame 18' | 18.3 lbs ea. | 396 - 18 | |
| 396 Double Couple BIGG Frame 20' | 20.4 lbs ea. | 396 - 20 | |
| Note(s) • For use in place of one #391 vertical where doors meet. Eliminates gap between doors and has a built in J Trim (white only). | | | |

Check your local Westman branch for availability, extended lead times may be required. Prices subject to change without notice. • "Special" crating charges where applicable.



| Product Description | Weight | SKU | Price |
|--|--------------|----------|-------|
| 394 Bottom Rail BIGG Frame 12' | 14.6 lbs ea. | 394 - 12 | |
| 394 Bottom Rail BIGG Frame 16' | 19.4 lbs ea. | 394 - 16 | |
| 394 Bottom Rail BIGG Frame 18' | 21.7 lbs ea. | 394 - 18 | |
| 394 Bottom Rail BIGG Frame 20' | 24.2 lbs ea. | 394 - 20 | |
| <p>Note(s)</p> <ul style="list-style-type: none"> Eliminates wood rail and provides channel for continuous bottom guide (white only). | | | |

Check your local Westman branch for availability, extended lead times may be required.
Prices subject to change without notice. • "Special" crating charges where applicable.



MAN DOORS



ROLL UP DOORS

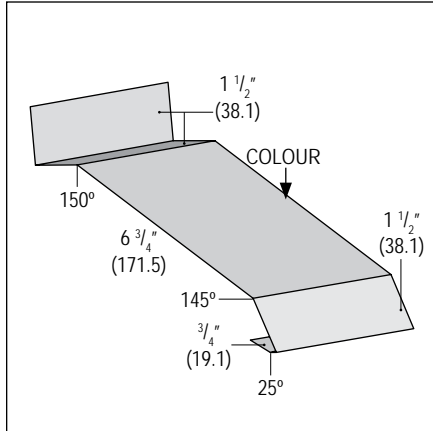


| Product Description | Weight | SKU | Price |
|---|-------------|------------|-------|
| 4068 (Aluminum Jambs) Man Door | 75 lbs ea. | 755852 | |
| 4068 (Steel Jambs - w/thermal break) Man Door | 105 lbs ea. | 730824 | |
| 3068 (Steel Jambs - w/thermal break) Man Door | 80 lbs ea. | 756254 | |
| 3068 1734 Series Utility Grade Door | 75 lbs ea. | 732113 | |
| CB Standard Lock Set | 2 lbs ea. | 728117 | |
| | | | |
| 48" x 6'8" White Roll Up Door | 168 lbs ea. | TR944-4068 | |
| 60" x 6'8" White Roll Up Door | 210 lbs ea. | TR944-5068 | |
| 72" x 6'8" White Roll Up Door | 252 lbs ea. | TR944-6068 | |
| 96" x 6'8" White Roll Up Door | 280 lbs ea. | TR944-8068 | |
| | | | |

Check your local Westman branch for availability, extended lead times may be required. Prices subject to change without notice. • "Special" crating charges where applicable.



CAMBRIDGE, ON (855) 620-2720 | BRANDON/WINNIPEG, MB (800) 661-2823
SWIFT CURRENT/REGINA/SASKATOON, SK (800) 667-7468
AIRDRIE/EDMONTON, AB (800) 661-2826 | LANGLEY, BC (888) 937-8626

Product Description
 #225 FM Track Cover


| | SKU | Weight | Price |
|------------|------|--------|-------|
| Galvanized | 1225 | 6.37 | |
| Galvalume | 2225 | 6.07 | |
| Colour | 225 | 6.07 | |

Ordering Colour Flashing

When ordering the colour variant of any WESTMAN STEEL flashing product, simply place the Colour Code before the SKU number code.

Example:

To order #225 FM Track Cover in Galvanized the full SKU would read: 1225

To order #225 FM Track Cover in Galvalume the full SKU would read: 2225

To order #225 FM Track Cover in Dark Red the full SKU would read: 8250225

| Classic Colours | Colour Code |
|------------------|-------------|
| Black | 8262 |
| Bone White | 8273 |
| Bright Red | 8386 |
| Bright White | 8783 |
| Buckskin | 9202 |
| Burgundy | 8011 |
| Charcoal | 8306 |
| Coffee | 8326 |
| Dark Red | 8250 |
| Deep Water Green | 8684 |

| Classic Colours | Colour Code |
|-------------------|-------------|
| Gold | 9276 |
| Heron Blue | 8330 |
| Hickory Moss | 9368 |
| Int'l Orange | 9234 |
| Ivory | 8802 |
| Light Stone | 9367 |
| Medium Green | 8329 |
| Melchers Green | 8307 |
| Metro Brown | 8228 |
| Pacific Turquoise | 9258 |

| Classic Colours | Colour Code |
|-----------------|-------------|
| Regent Grey | 8730 |
| Royal Blue | 8790 |
| Sapphire Blue | 9261 |
| Slate Blue | 8260 |
| Stone Grey | 8305 |
| Tan | 8315 |
| Tile Red | 8259 |
| Whistler Green | 8093 |
| White White | 8317 |

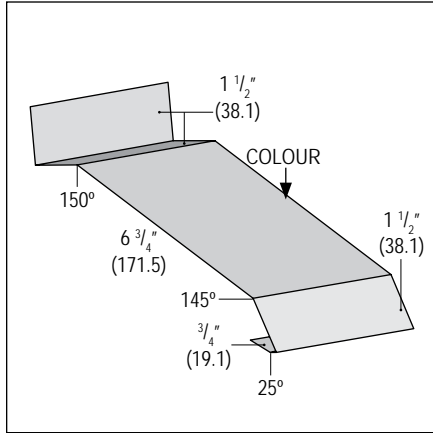
| Textured Colours | Colour Code |
|------------------|-------------|
| Chocolate Brown | 6034 |
| Chrome Green | 6037 |
| Graphite Grey | 6035 |

| Textured Colours | Colour Code |
|------------------|-------------|
| Jet Black | 6039 |
| Oxide Red | 6042 |
| Sepia Brown | 6041 |

| Exotic Colours | Colour Code |
|----------------|-------------|
| Copper Penny | 8029 |
| Dark Zinc | 1430 |
| Rustic Red | 1426 |
| Silver Mist | 8047 |

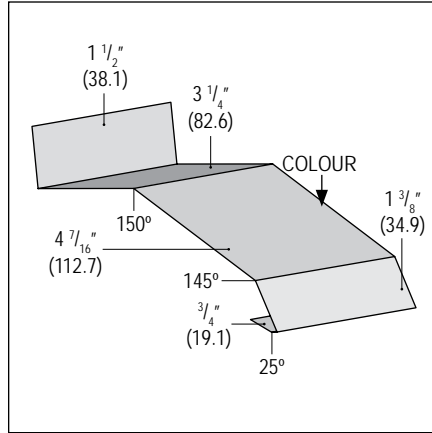
Add 25% for 26 gauge. • Check your local Westman branch for upcharge on Textured and Exotic colours. • Check your local Westman branch for colour availability. "Special" crating charges where applicable. • Fabrication charges where applicable. • Prices subject to change without notice.

Product Description
#225 FM Track Cover



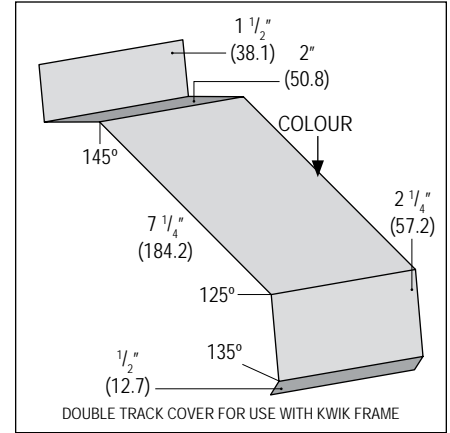
| | SKU | Weight | Price |
|------------|------|--------|-------|
| Galvanized | 1225 | 6.37 | |
| Galvalume | 2225 | 6.07 | |
| Colour | 225 | 6.07 | |

Product Description
#226 TM Track Cover



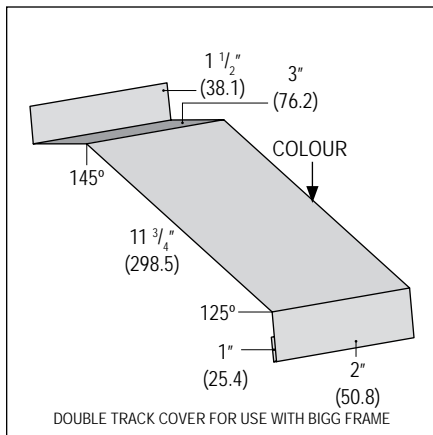
| | SKU | Weight | Price |
|------------|------|--------|-------|
| Galvanized | 1226 | 6.37 | |
| Galvalume | 2226 | 6.07 | |
| Colour | 226 | 6.07 | |

Product Description
#227 FM Track Cover 26Ga



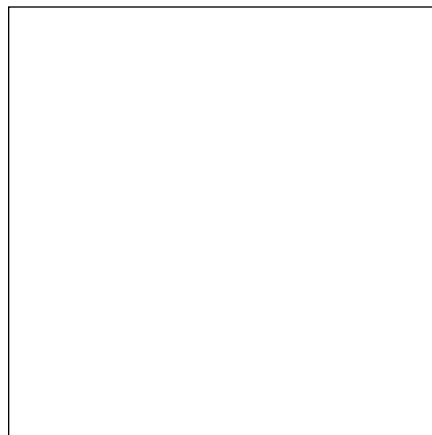
| | SKU | Weight | Price |
|------------|------|--------|-------|
| Galvanized | 1227 | 7.17 | |
| Galvalume | 2227 | 6.86 | |
| Colour | 227 | 6.86 | |

Product Description
#228 FM Track Cover 26Ga



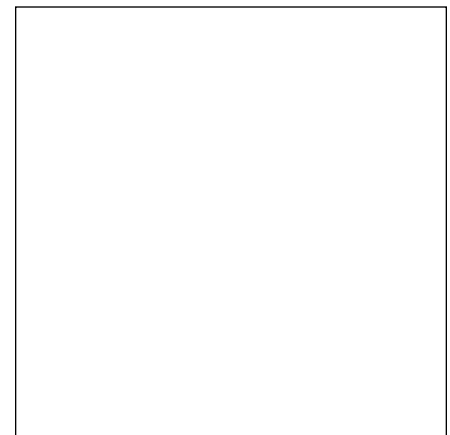
| | SKU | Weight | Price |
|------------|------|--------|-------|
| Galvanized | 1228 | 10.2 | |
| Galvalume | 2228 | 9.8 | |
| Colour | 228 | 9.8 | |

Product Description



| | SKU | Weight | Price |
|--|-----|--------|-------|
| | | | |
| | | | |
| | | | |

Product Description

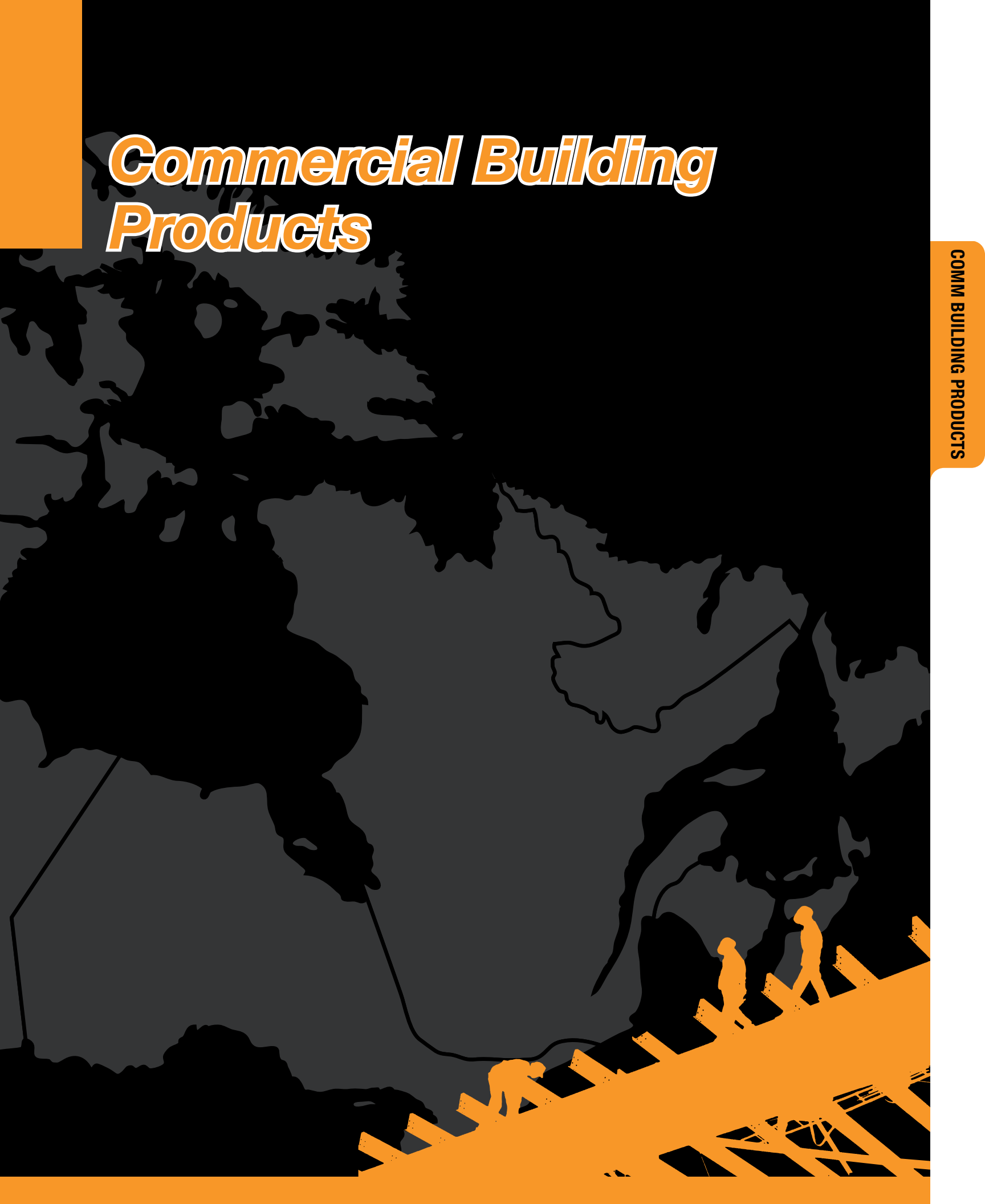


| | SKU | Weight | Price |
|--|-----|--------|-------|
| | | | |
| | | | |
| | | | |

Add 25% for 26 gauge. • Check your local Westman branch for upcharge on Textured and Exotic colours. • Check your local Westman branch for colour availability. "Special" crating charges where applicable. • Fabrication charges where applicable. • Prices subject to change without notice.

Commercial Building Products

COMM BUILDING PRODUCTS



Commercial Flashing

COMMERCIAL FLASHING



Technical Information



Brochures/Literature





westmansteel.com

Yukon Cochrane Sherwood Park Saint Albert Airdrie **Nunavut** Moosomin
 Edmonton **Alberta** Calgary Black Diamond Morden Melita Brandon
 Three Hills Northwest Territories **Manitoba** Steinbach
British Columbia Surrey Burnaby Deloraine Beausejour
 White Rock Langley Abbotsford Winnipeg Winkler
 Tsawwassen Chilliwack Swift Current Medicine Hat
 Gull Lake Kindersley Maple Creek **Saskatchewan** Moose Jaw