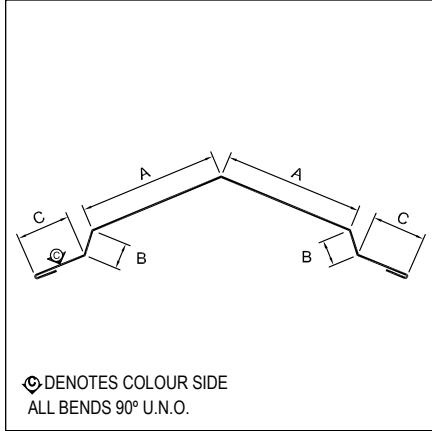


Product Description
Ridge Cap


**Ordering Colour Flashing**

When ordering the colour variant of any WESTMAN STEEL flashing products, simply place the Colour Code before the SKU number code.

**Example:**

To order #578 Ridge/Hip Cap in Galvanized the full SKU would read: **1578**

To order #578 Ridge/Hip Cap in Galvalume the full SKU would read: **2578**

To order #578 Ridge/Hip Cap in Dark Red the full SKU would read: **8250578**

Part No.	A	B	C
578	4 1/8"	3/4"	1 1/2"
579	4 1/8"	3/4"	2 1/2"
683	6 1/2"	1 3/4"	3/4"
880	4 1/8"	3/4"	3 1/2"

Classic/Commercial	Colour Code
Antique Linen	8696
Black	8262
Bone White	8273
Bright Red	8386
Bright White	8783
Buckskin	9202
Burgundy	8011
Cambridge White	8695
Charcoal	8306
Coffee	8326
Dark Brown	8229
Dark Red	8250

Classic/Commercial	Colour Code
Deep Water Green	8684
Galvalume	2
Galvanized	1
Gold	8276
Heron Blue	8330
Hickory Moss	9368
Int'l Orange	8234
Iron Ore	8614
Ivory	8802
Light Stone	9367
Medium Green	8329
Melcher's Green	8307

Classic/Commercial	Colour Code
Metro Brown	8228
Pacific Turquoise	8258
Regent Grey	8730
Royal Blue	8790
Sapphire Blue	8261
Slate Blue	8260
Stone Grey	8305
Tan	8315
Tile Red	8259
Whistler Green	8093
White White	8317

Textured Colours	Colour Code
Chocolate Brown	6034
Chrome Green	6037
Graphite Grey	6035

Textured Colours	Colour Code
Jet Black	6039
Oxide Red	6042
Sepia Brown	6041

Exotic Colours	Colour Code
Copper Penny	2005
Dark Zinc	1430
Rustic Red	1426
Silver Mist	8047
Corten	9942

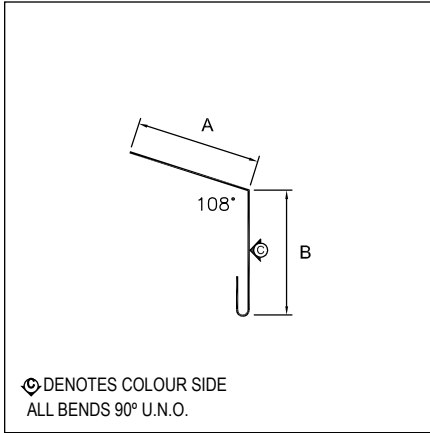
Wood Grain	Colour Code
Frontier Espresso	4100

Wood Grain	Colour Code
Frontier Cedar	4101

Check your local Westman branch for upcharge on Textured and Exotic colours. • Check your local Westman branch for colour availability. "Special" crating charges where applicable. • Fabrication charges where applicable. • Prices subject to change without notice.

**Product Description**

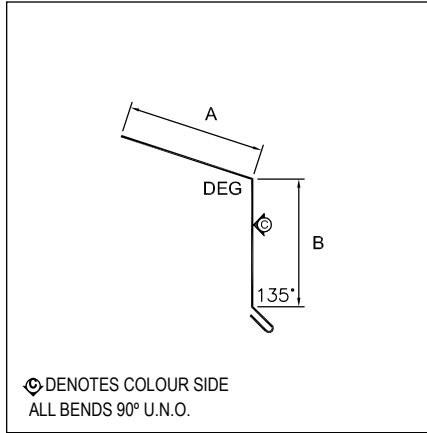
**Eave Flashing**



Part No.	A	B	C
608	2"	2"	

**Product Description**

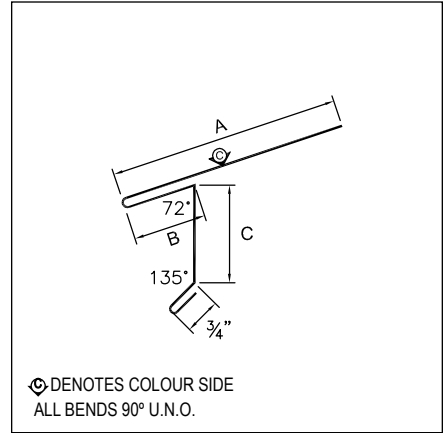
**Eave**



Part No.	A	B	Deg
609	4 3/8"	4 1/2"	108°
805	3"	2"	105°
806	3"	2 3/4"	105°
55_313	4"	4 1/2"	95°

**Product Description**

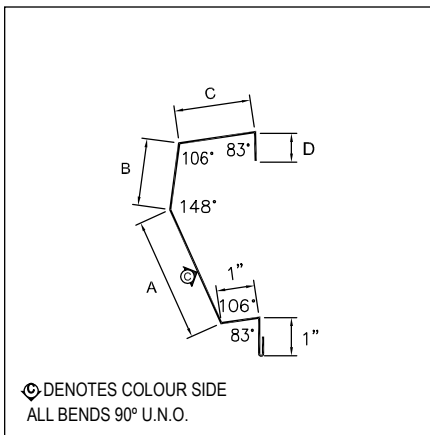
**Concealed Eave Starter**



Part No.	A	B	Deg
934	4 3/4"	1 1/2"	2"

**Product Description**

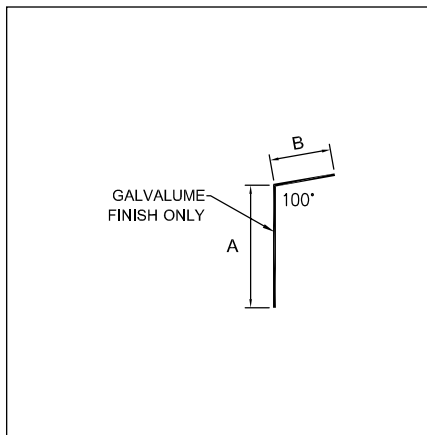
**Eave Trim**



Part No.	A	B	C	D
55_418	3 1/4"	1 3/4"	2"	3/4"
55_419	4"	1 1/4"	2 3/8"	1 3/8"

**Product Description**

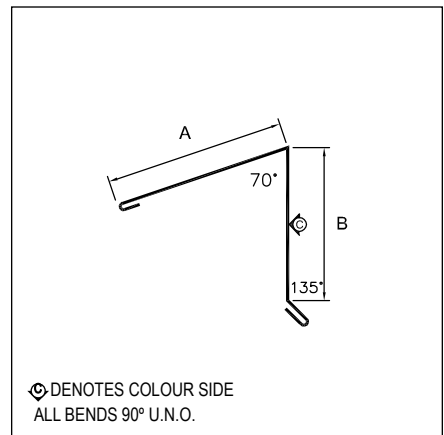
**Primary Eave Trim**



Part No.	A	B	Length
556428GU	6 1/2"	3"	50"

**Product Description**

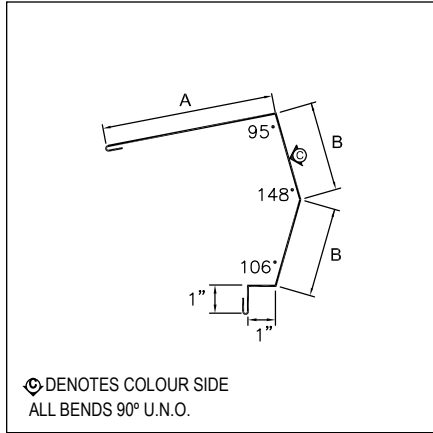
**High Eave Flashing**



Part No.	A	B	C
723	3 3/8"	5"	
864	6"	4 3/8"	
1041	6"	3 1/2"	

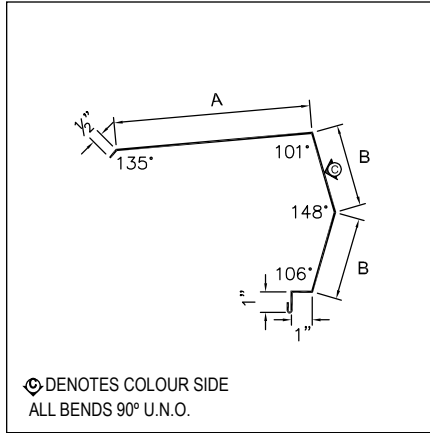
Check your local Westman branch for upcharge on Textured and Exotic colours. • Check your local Westman branch for colour availability. "Special" crating charges where applicable. • Fabrication charges where applicable. • Prices subject to change without notice.

**Product Description**  
High Eave Trim



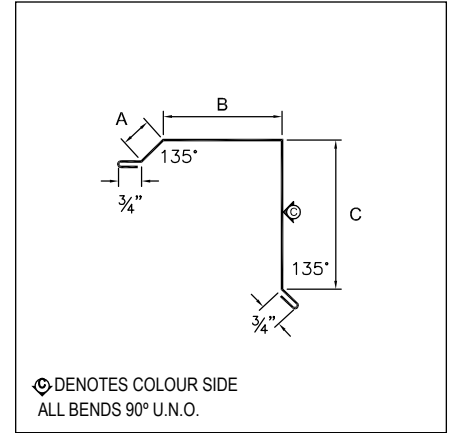
Part No.	A	B	C
55_301	6 1/4"	3 1/4"	

**Product Description**  
High Eave Trim



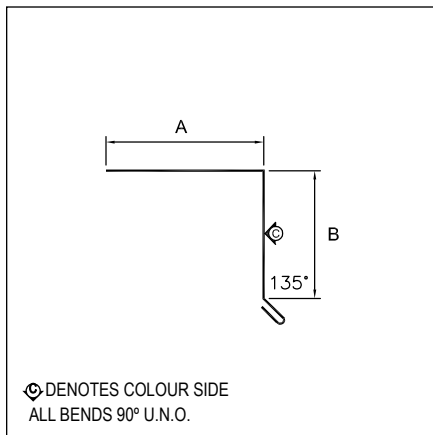
Part No.	A	B	C
55_349	9 1/2"	4"	

**Product Description**  
Gable Trim



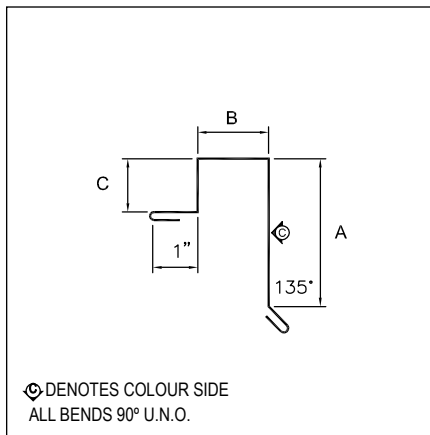
Part No.	A	B	C	Deg
421	1"	3 7/8"	4 7/8"	135°
426S	1 3/8"	3 3/4"	2 1/2"	135°
1040	2"	3 7/8"	3 1/2"	110°

**Product Description**  
Gable Drip Edge



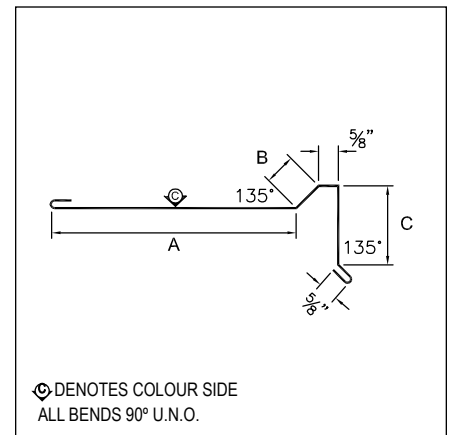
Part No.	A	B	C
821	3"	2"	
822	3"	2 3/4"	

**Product Description**  
Gable Drip Edge



Part No.	A	B	C
845	3 1/8"	1 1/2"	1 1/8"
1000	4 1/8"	3 1/2"	2 1/8"
1015	4 1/8"	3 1/2"	1 5/8"

**Product Description**  
Prow Gable

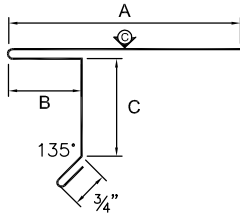


Part No.	A	B	C
135	7 3/4"	1"	2 1/2"
1042	10 3/4"	2 1/4"	3 1/2"

Check your local Westman branch for upcharge on Textured and Exotic colours. • Check your local Westman branch for colour availability. "Special" crating charges where applicable. • Fabrication charges where applicable. • Prices subject to change without notice.

**Product Description**

**Concealed Gable Starter**

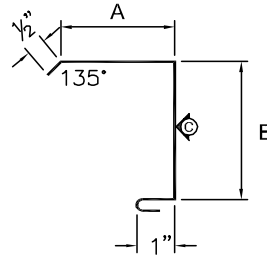


⊕ DENOTES COLOUR SIDE  
ALL BENDS 90° U.N.O.

Part No.	A	B	C
935	4 3/4"	1 1/2"	2"

**Product Description**

**Gable Trim**

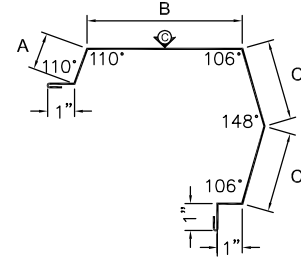


⊕ DENOTES COLOUR SIDE  
ALL BENDS 90° U.N.O.

Part No.	A	B	C
1063	3"	3 5/8"	
1065	5"	3 5/8"	

**Product Description**

**Gable Trim**

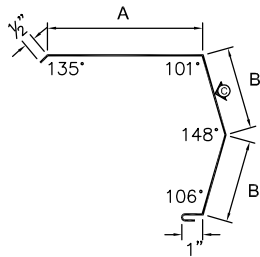


⊕ DENOTES COLOUR SIDE  
ALL BENDS 90° U.N.O.

Part No.	A	B	C
1060	1 1/2"	4 7/8"	3 1/4"
55_300	1 1/2"	6 1/4"	3 1/4"

**Product Description**

**Gable Trim**

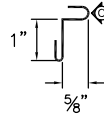


⊕ DENOTES COLOUR SIDE  
ALL BENDS 90° U.N.O.

Part No.	A	B	C
55_357	7 1/2"	4"	

**Product Description**

**Gable Trim Lock**

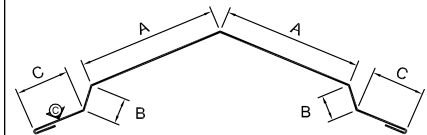


⊕ DENOTES COLOUR SIDE  
ALL BENDS 90° U.N.O.

Part No.	A	B	C
55_358			144"

**Product Description**

**Ridge Cap**

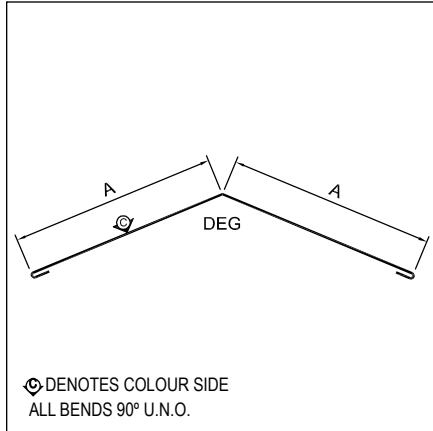


⊕ DENOTES COLOUR SIDE  
ALL BENDS 90° U.N.O.

Part No.	A	B	C
578	4 1/8"	3/4"	1 1/2"
579	4 1/8"	3/4"	2 1/2"
683	6 1/2"	1 3/4"	3/4"
880	4 1/8"	3/4"	3 1/2"

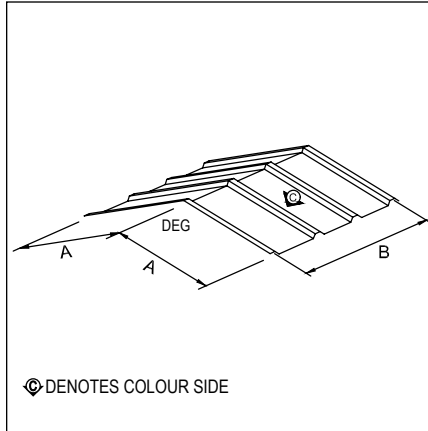
Check your local Westman branch for upcharge on Textured and Exotic colours. • Check your local Westman branch for colour availability.  
"Special" crating charges where applicable. • Fabrication charges where applicable. • Prices subject to change without notice.

**Product Description**  
Ridge Cap



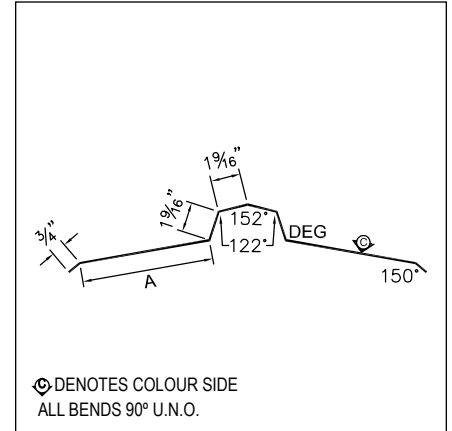
Part No.	A	B	Deg
580	8 1/2"		135°
584	5 3/8"		135°
55_305	5 1/4"		170°

**Product Description**  
AWR Ridge Cap



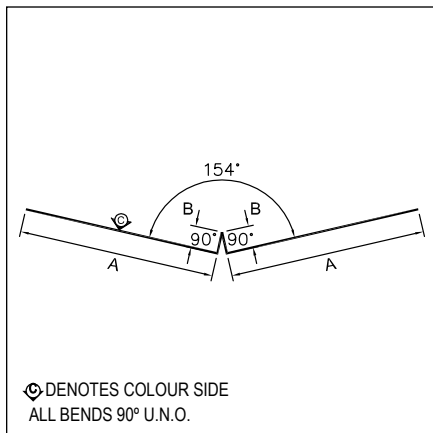
Part No.	A	B	Deg
620110 (0.5:12)	16"	36"	175°
620111 (1:12)	16"	36"	170°
620112 (2:12)	16"	36"	161°
620113 (3:12)	16"	36"	152°
620114 (4:12)	16"	36"	143°

**Product Description**  
SSR Ridge Cap



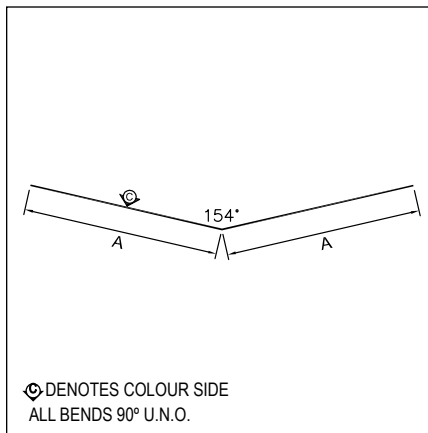
Part No.	A	Deg	Slope
55_426	6 7/8"	118°	Up to 2:12
55_435	12"	126°	4:12
55_436	10"	122°	3:12

**Product Description**  
Valley



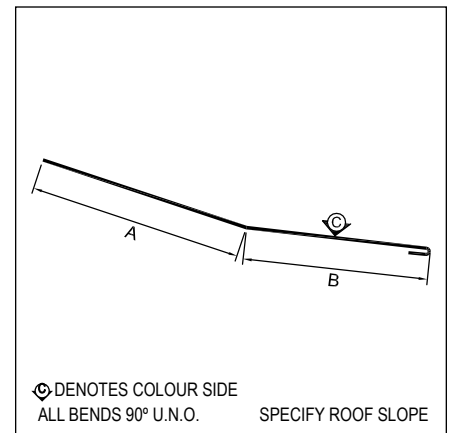
Part No.	A	B	Deg
587	9"	1"	154°
588	12"	1"	154°
589	19"	1"	154°
1057	12"	1 3/8"	154°
1058	19"	1 3/8"	154°

**Product Description**  
Valley



Part No.	A	B	C
890	9"		
891	12"		
892	19"		

**Product Description**  
Transition

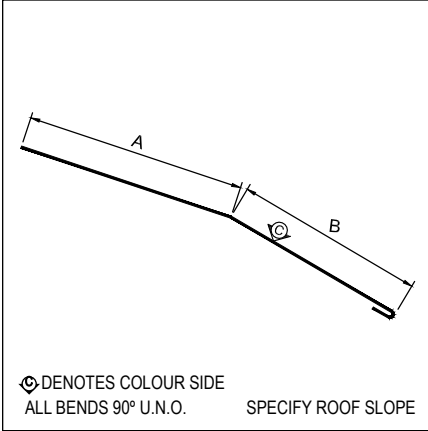


Part No.	A	B	Deg
606	7"	6"	ADVISE

Check your local Westman branch for upcharge on Textured and Exotic colours. • Check your local Westman branch for colour availability. "Special" crating charges where applicable. • Fabrication charges where applicable. • Prices subject to change without notice.

**Product Description**

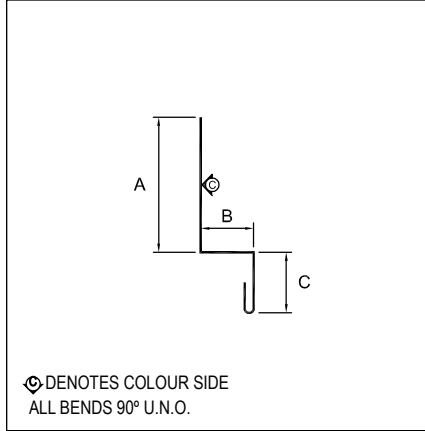
**Hip Transition**



Part No.	A	B	Deg
1026	7"	5 7/8"	ADVISE

**Product Description**

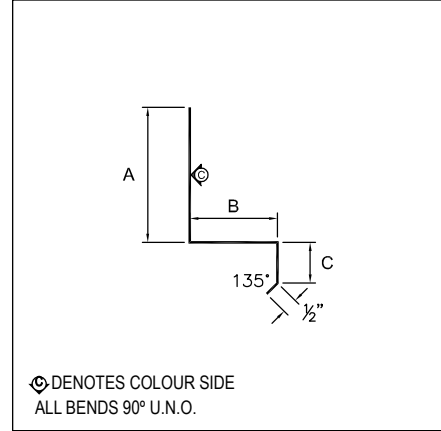
**Base Trim**



Part No.	A	B	C
121	2 5/8"	7/8"	1"
122	2 5/8"	1"	1"
1006	2"	1 1/8"	1"
1048	2"	1 5/8"	1"
1059	2"	1 7/8"	1"

**Product Description**

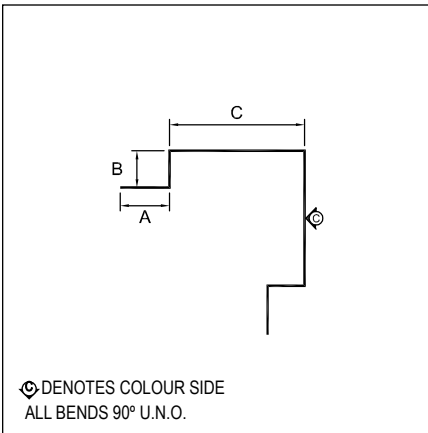
**Base Trim**



Part No.	A	B	C
55_337	3 1/8"	2 1/4"	1"

**Product Description**

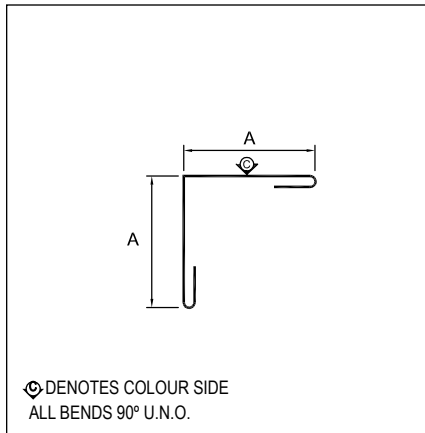
**Outside Corner**



Part No.	A	B	C
417	1"	3/4"	2 3/4"
418	1"	1"	2 3/4"
1011	2"	1 1/4"	3 1/4"
1051	2"	1 5/8"	3 1/4"

**Product Description**

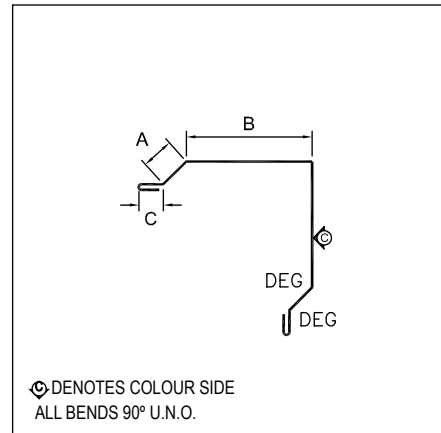
**Outside Corner**



Part No.	A	B	C
492	3 5/8"		
496	2"		
1013	2 1/2"		
1014	4"		

**Product Description**

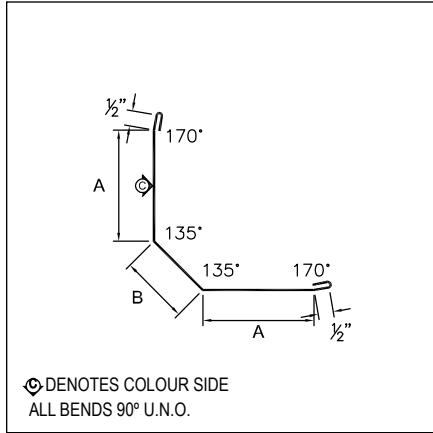
**Outside Corner**



Part No.	A	B	C	Deg
425	1"	4"	3/4"	135°
55_314	1 3/8"	6 1/2"	1"	110°

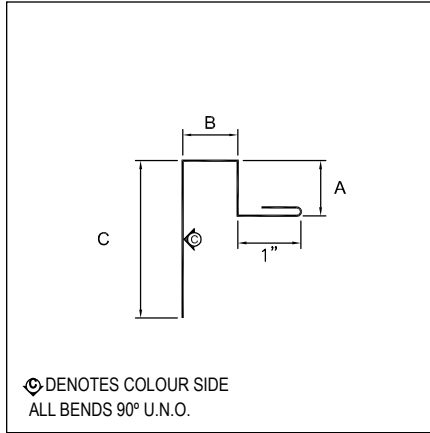
Check your local Westman branch for upcharge on Textured and Exotic colours. • Check your local Westman branch for colour availability.  
"Special" crating charges where applicable. • Fabrication charges where applicable. • Prices subject to change without notice.

**Product Description**  
Outside Corner



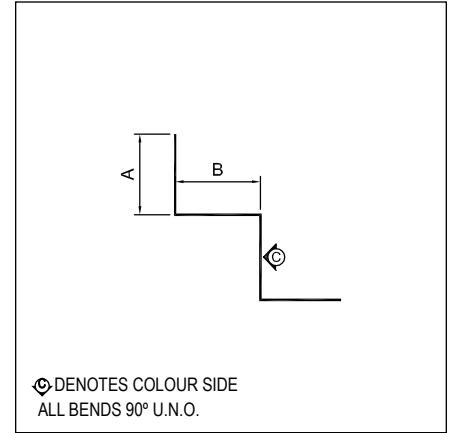
Part No.	A	B	C
55_312	3 5/8"	2 1/4"	

**Product Description**  
Inside Corner



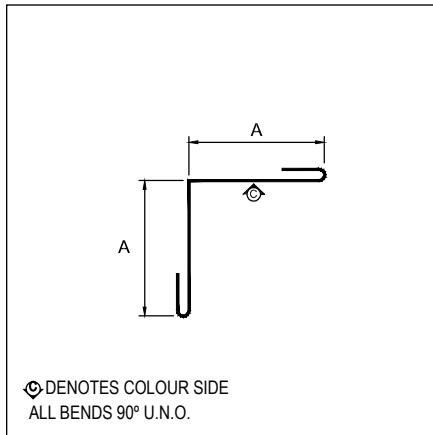
Part No.	A	B	C
480	7/8"	7/8"	2 1/2"
1027	1 1/8"	1 1/8"	2 7/8"
1054	1 5/8"	1 5/8"	3 1/8"

**Product Description**  
Inside Corner



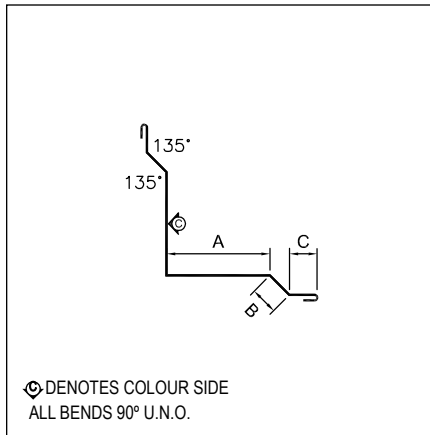
Part No.	A	B	C
881	1"	1"	
1012	1 1/4"	1 1/4"	
1052	1 3/4"	1 5/8"	

**Product Description**  
Inside Corner



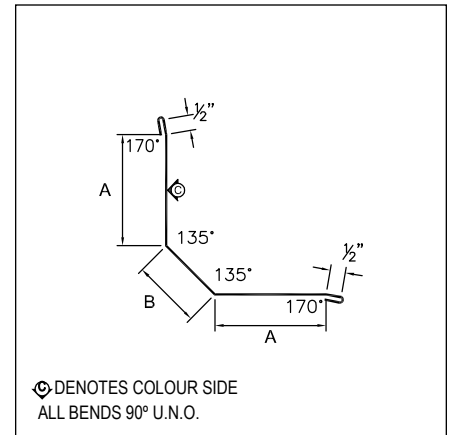
Part No.	A	B	C
493	3 5/8"	3 5/8"	
498	2"	2"	
1008	4"	4"	
55_320	2 1/2"	2 1/2"	

**Product Description**  
Inside Corner



Part No.	A	B	C
823	3 3/4"	1"	1"

**Product Description**  
Inside Corner

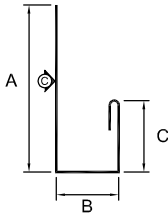


Part No.	A	B	C
55_335	3 5/8"	2 1/4"	

Check your local Westman branch for upcharge on Textured and Exotic colours. • Check your local Westman branch for colour availability. "Special" crating charges where applicable. • Fabrication charges where applicable. • Prices subject to change without notice.

**Product Description**

**J Trim**

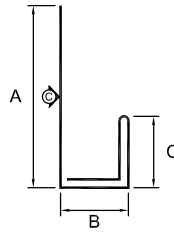


Ⓢ DENOTES COLOUR SIDE  
ALL BENDS 90° U.N.O.

Part No.	A	B	C
250	2 3/4"	5/8"	1"
252	2 5/8"	7/8"	1"
1024	3"	1 1/8"	1"
55_302	2 1/2"	7/8"	3/4"
55_315	2 3/8"	1 5/8"	1 1/2"

**Product Description**

**Double J Trim**

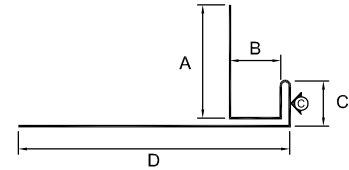


Ⓢ DENOTES COLOUR SIDE  
ALL BENDS 90° U.N.O.

Part No.	A	B	C
1028	2 5/8"	1 1/8"	1"
1034	3 5/8"	1 5/8"	1 1/2"
1061	2 5/8"	1"	1"
55_327	3 5/8"	1 1/2"	1 1/2"

**Product Description**

**Extended J Trim**

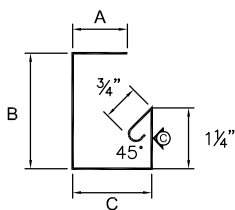


Ⓢ DENOTES COLOUR SIDE  
ALL BENDS 90° U.N.O.

Part No.	A	B	C	D
1002	2 1/2"	1 1/8"	1"	6"
1055	2 7/8"	1 5/8"	1 1/2"	6"
1062	2 1/2"	1"	1"	6"

**Product Description**

**J Trim - Delta Span**

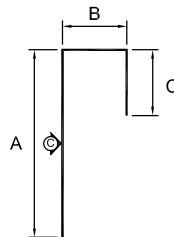


Ⓢ DENOTES COLOUR SIDE  
ALL BENDS 90° U.N.O.

Part No.	A	B	C
55_368	1 1/8"	2 3/8"	1 5/8"

**Product Description**

**Panel Cap**

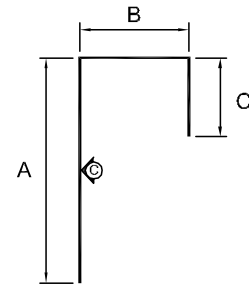


Ⓢ DENOTES COLOUR SIDE  
ALL BENDS 90° U.N.O.

Part No.	A	B	C
844	3"	1 1/8"	1 1/8"
846	3"	1 5/8"	1 1/8"

**Product Description**

**Panel Cap**



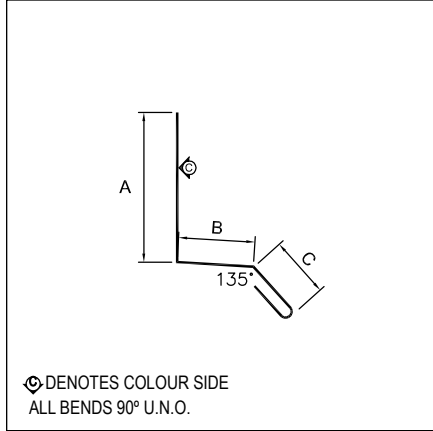
Ⓢ DENOTES COLOUR SIDE  
ALL BENDS 90° U.N.O.

Part No.	A	B	C
1022	3"	1 5/8"	1 1/8"
1023	3"	2 1/8"	1 1/8"

Check your local Westman branch for upcharge on Textured and Exotic colours. • Check your local Westman branch for colour availability.  
"Special" crating charges where applicable. • Fabrication charges where applicable. • Prices subject to change without notice.

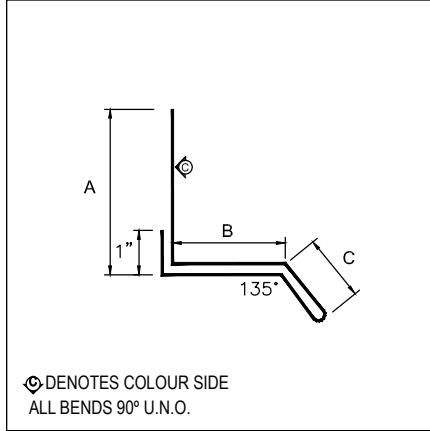


**Product Description**  
Drip Starter / Header Trim



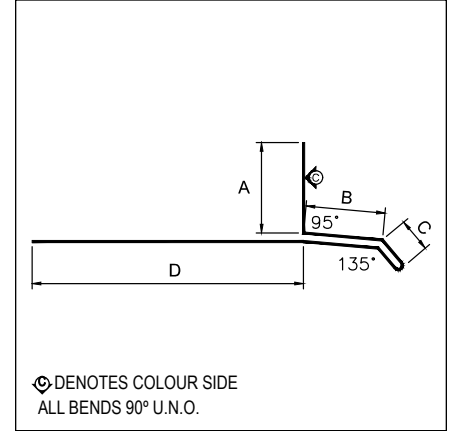
Part No.	A	B	C
107	2 1/2"	5/8"	1/2"
113	2"	1 3/4"	3/4"
1030	2 3/8"	1 1/4"	3/4"
55_311	2 1/2"	2 1/4"	3/4"

**Product Description**  
Drip Starter / Header Trim



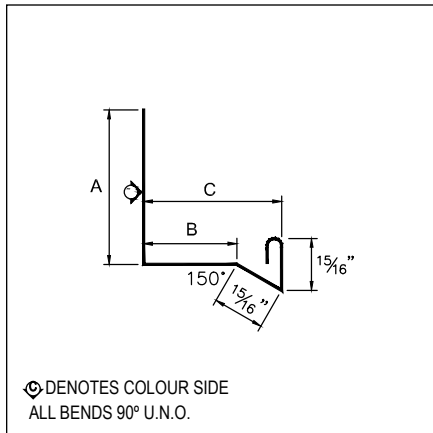
Part No.	A	B	C
1029	2 5/8"	1"	3/4"
1056	3"	1 1/4"	3/4"
55_334	3 1/4"	2 1/4"	3/4"
55_434	3 1/4"	1 3/4"	3/4"

**Product Description**  
Extended Drip Trim



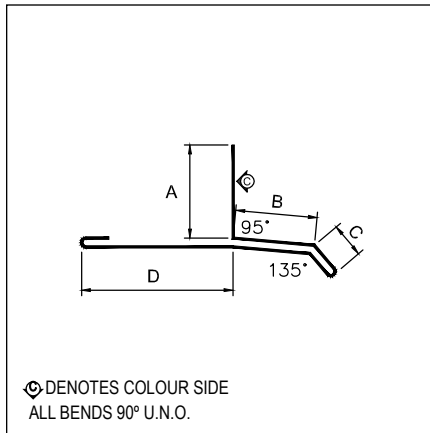
Part No.	A	B	C	D
1003	2"	1 3/4"	3/4"	4 7/8"

**Product Description**  
Header Trim



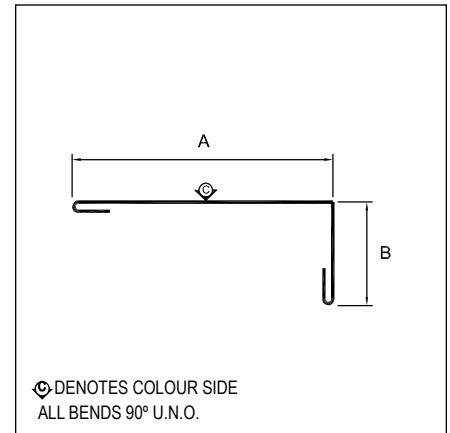
Part No.	A	B	C
55_339	2 13/16"	1 11/16"	2 1/2"

**Product Description**  
Soffit Drip Trim



Part No.	A	B	C	D
1031	2"	1 3/4"	3/4"	2 1/2"

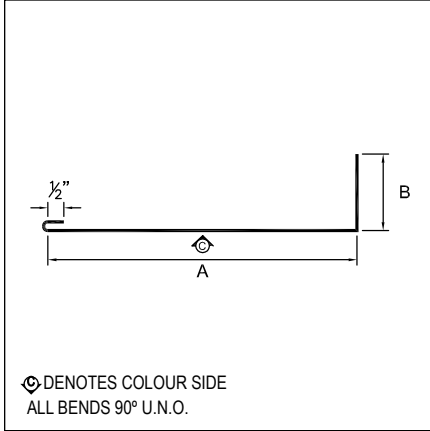
**Product Description**  
Door Post



Part No.	A	B	C
856	3 1/2"	1 1/2"	
858	7 1/4"	1 1/2"	
55_304	6 1/4"	3/4"	

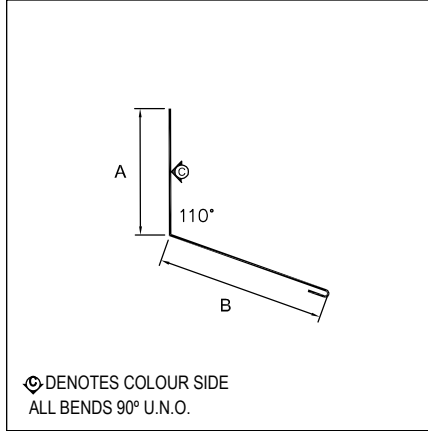
Check your local Westman branch for upcharge on Textured and Exotic colours. • Check your local Westman branch for colour availability. "Special" crating charges where applicable. • Fabrication charges where applicable. • Prices subject to change without notice.

**Product Description**  
Overhead Door Trim



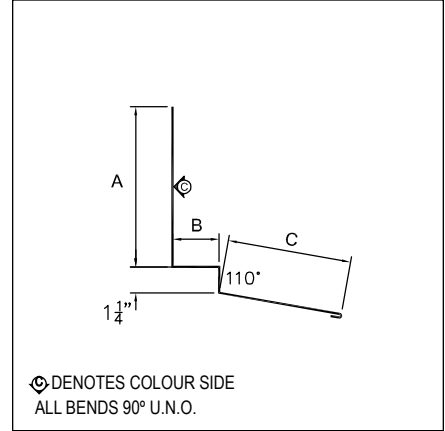
Part No.	A	B	C
55_303	8"	1 7/8"	
55_410	10"	1 7/8"	
55_412	12"	1 7/8"	

**Product Description**  
Endwall



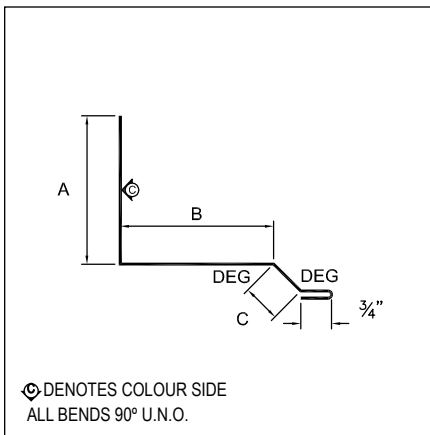
Part No.	A	B	C
603	4 1/8"	5 1/2"	

**Product Description**  
Endwall



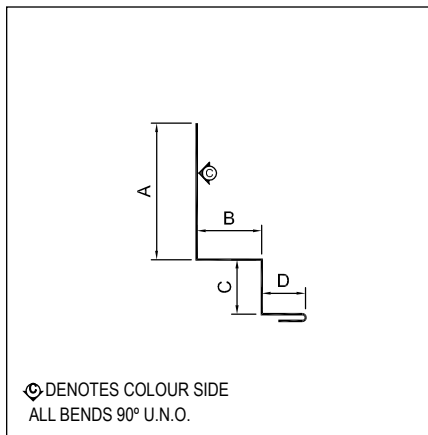
Part No.	A	B	C
55_405	7 3/4"	2 1/4"	6"

**Product Description**  
Sidewall



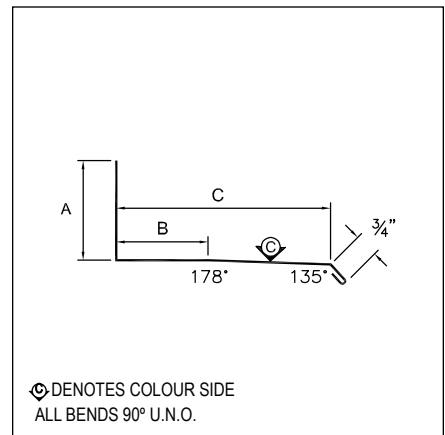
Part No.	A	B	C	D	Deg
605	3 7/8"	4"	1"	3/4"	135°
55_404	7 7/8"	5"	2 7/8"	1 1/4"	120°

**Product Description**  
Sidewall



Part No.	A	B	C	D
842	3 3/4"	1 1/2"	1 1/4"	1"
1001	3 7/8"	2 1/2"	2 1/8"	1"
1016	3 7/8"	2 1/2"	1 5/8"	1"
1033	3 7/8"	1 1/2"	1 1/4"	2 3/8"

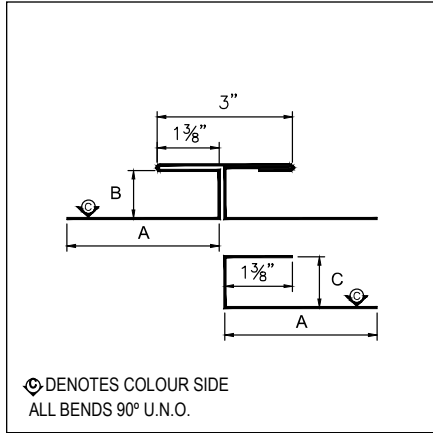
**Product Description**  
Sidewall



Part No.	A	B	C
55_411	3 1/4"	3"	7"

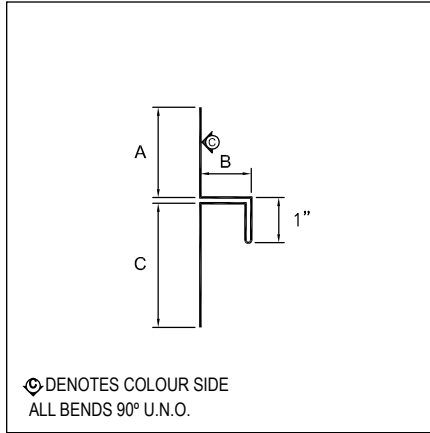
Check your local Westman branch for upcharge on Textured and Exotic colours. • Check your local Westman branch for colour availability.  
"Special" crating charges where applicable. • Fabrication charges where applicable. • Prices subject to change without notice.

**Product Description**  
Partition



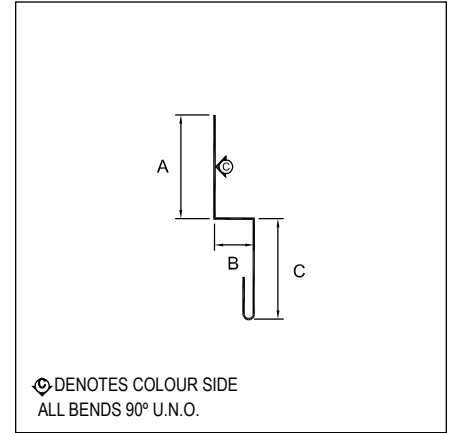
Part No.	A	B	C
1004	3 3/8"	1 1/8"	1 1/16"

**Product Description**  
Conversion



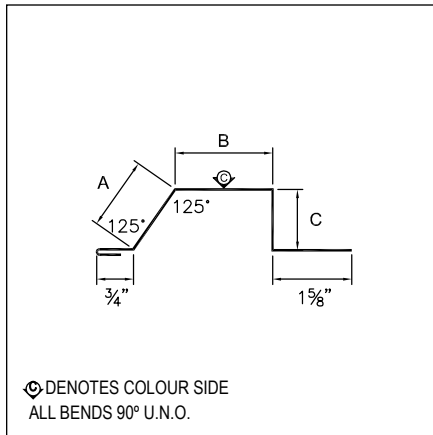
Part No.	A	B	C
1005	2"	1 1/8"	2 3/4"

**Product Description**  
Gable Divide



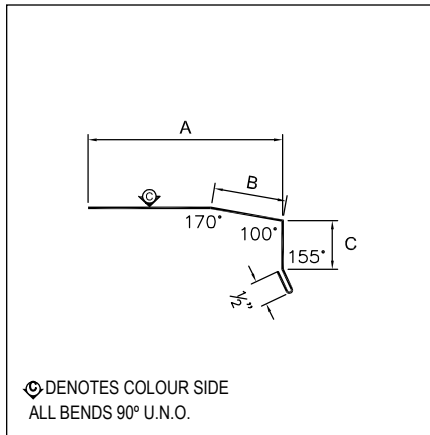
Part No.	A	B	C
123	1 5/8"	7/8"	2"
124	1 5/8"	1"	2"
1050	1 3/4"	1 5/8"	2"

**Product Description**  
Filler - Delta Span



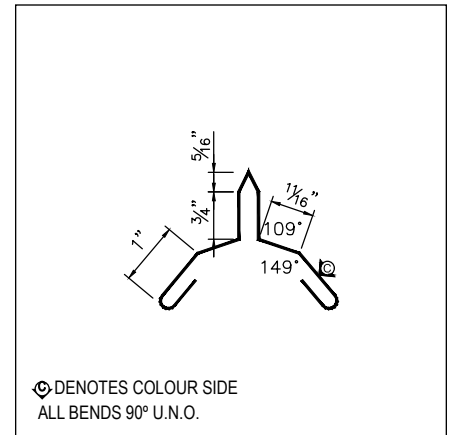
Part No.	A	B	C
55_367	1 1/2"	2"	1 1/4"

**Product Description**  
Sill Trim



Part No.	A	B	C
55_425	4"	1 1/2"	1"

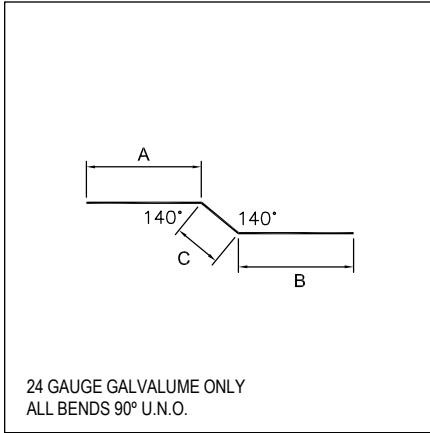
**Product Description**  
SSR Rib Cover



Part No.	A	B	C
55_137			

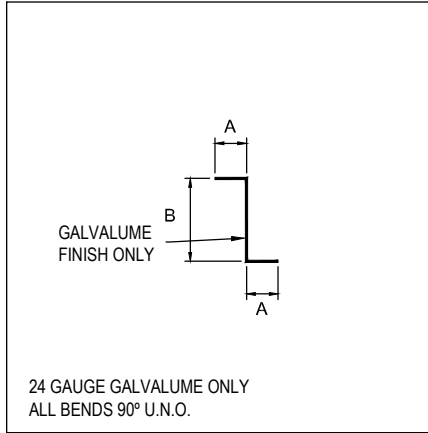
Check your local Westman branch for upcharge on Textured and Exotic colours. • Check your local Westman branch for colour availability. "Special" crating charges where applicable. • Fabrication charges where applicable. • Prices subject to change without notice.

**Product Description**  
Offset Cleat



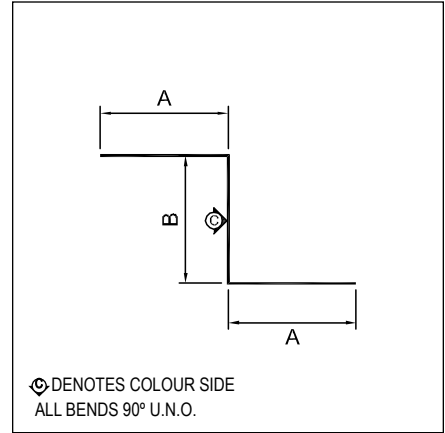
Part No.	A	B	C
841	1 1/2"	1 1/2"	5/8"

**Product Description**  
SSR Rake Zee



Part No.	A	B	LGTH.
556355	1"	2 5/8"	120"

**Product Description**  
Zee



Part No.	A	B	C
1020	1 1/8"	1 5/8"	
1021	1 1/8"	2 1/8"	

Check your local Westman branch for upcharge on Textured and Exotic colours. • Check your local Westman branch for colour availability.  
"Special" crating charges where applicable. • Fabrication charges where applicable. • Prices subject to change without notice.